

# **SSC-P2S Series**

## **SC HOUSING**

- for  $\varnothing$  2 mm cord, Short Boot -

### **TECHNICAL SPECIFICATIONS**



**SEIKOH GIKEN Co.,Ltd.**

**Fiber Optic Products Division**

296-1, MATSUHIDAI, MATSUDO-SHI,  
CHIBA, 270-2214 JAPAN.

TEL: +81-47-388-6111 FAX: +81-47-388-4477

SSC-P2S Series SC HOUSING - for  $\varnothing$  2 mm cord, Short Boot -  
TECHNICAL SPECIFICATIONS

S05-H016-01E      March      2007  
S05-H016-02E      November      2008

Copyright © 2007 - 2008 by **SEIKOH GIKEN Co.,Ltd.**  
All right reserved.

The information contained herein shall not be reproduced or disclosed to any third party without the express written consent of SEIKOH GIKEN Co., Ltd.  
The specifications contained herein are subject to change without notice.

Please address any questions, comments, and suggestions to:

**SEIKOH GIKEN USA, Inc.**

**Headquarters**

4405 International Blvd., Suite B109  
Norcross, GA 30093 U.S.A.  
TEL: +1-770-279-6602 FAX: +1-770-279-8839

**Western Field Office**

21250 Hawthorne Boulevard, Suite 700  
Torrance, CA 90503  
TEL: +1-310-792-7450 FAX: +1-310-792-7451

**SEIKOH GIKEN Europe GmbH**

Siemensstrasse 9  
D-63263 Neu-Isenburg, Germany  
TEL: +49-6102-297-701  
FAX: +49-6102-297-750

**SEIKOH GIKEN Hong Kong Co.,Ltd.**

Concordia Plaza 21/F Rm2111,  
1 Science Museum Road, Tsim Sha Tsui East,  
Kowloon, Hong Kong.  
TEL: +852-26206551 FAX: +852-26206525

## TABLE OF CONTENTS

Section		Page
1	SCOPE	1
2	PART NUMBER	1
3	GENERAL SPECIFICATIONS	2
	3.1 Parts and Materials	2
	3.2 Physical Dimensions	2
	3.3 General Tolerance	2
	3.4 Appearance	3
4	PACKING	3
5	IDENTIFICATION	3
6	HANDLING AND CARE	3
	6.1 Conditions of Storage	3
	6.2 Precautions of Use	3
	6.3 Disposal	3

### Table

Table 1	Part Number	1
Table 2	Parts and Materials	2
Table 3	General Tolerance	3

### Figure

Figure 1	SSC-P2S Series Housing	4
Figure 2 to 12	Dimensions of Parts	5 to 10





### 3 GENERAL SPECIFICATIONS

#### 3.1 Parts and Materials

Parts and materials are shown in Table 2.

Table 2 Parts and Materials

Item	Part Name	Qty	Material	Notes
①	Grip	1	PBT GF	Blue, Flammability UL94 V-0
②	Plug Frame	1	PBT GF	White, Flammability UL94 V-0
③	Spring	1	Stainless Steel	-
④	Stop Ring	1	Brass	Nickel Plating
⑤	Crimping Ring	1	Aluminum Alloy	-
⑥	Ring	1	Stainless Steel	-
⑦	Boot	1	TPEE	Short Boot Blue, Flammability UL94 V-0
⑧-1	Cap	1	TPEE	Grip Cap Blue, Flammability UL94 V-0
⑧-2			PP	Ferrule Cap, Black
⑧-3			PA	Frame Cap, Black
⑨	String <sup>Note 2</sup>	1	TPU	Black

Notes: 1 Item on Table 2 corresponds to the item reference number on Figure 1 to 12.

2 ⑨String is included only when using with ⑧-3 Frame Cap.

#### 3.2 Physical Dimensions

Figure 1 shows the SSC-P2S series housing.

Figure 2 to 12 show the dimensions of the parts.

- In accordance with IEC 61754-4 Type SC connector family.
- In accordance with JIS C 5973 F04 Type connectors.

#### 3.3 General Tolerances

Permissible deviation in dimensions without tolerance indication is in accordance with ISO 2768-m (JIS B 0405-m), as shown in Table 3.

Table 3 General Tolerance (ISO 2768-m)

Basic size step [mm]		Permissible deviation [mm]
Over	Under	
0.5	3	±0.1
3	6	±0.1
6	30	±0.2
30	120	±0.3

### 3.4 Appearance

There should be no burr, peeling of plating or scratches that affect the product.

## 4 PACKING

The product is packed to prevent damage during shipment.

## 5 IDENTIFICATION

Identification label should indicate the part number and the lot number of the product(s) and should be permanently attached to the packing bag.

## 6 HANDLING AND CARE

### 6.1 Conditions of Storage

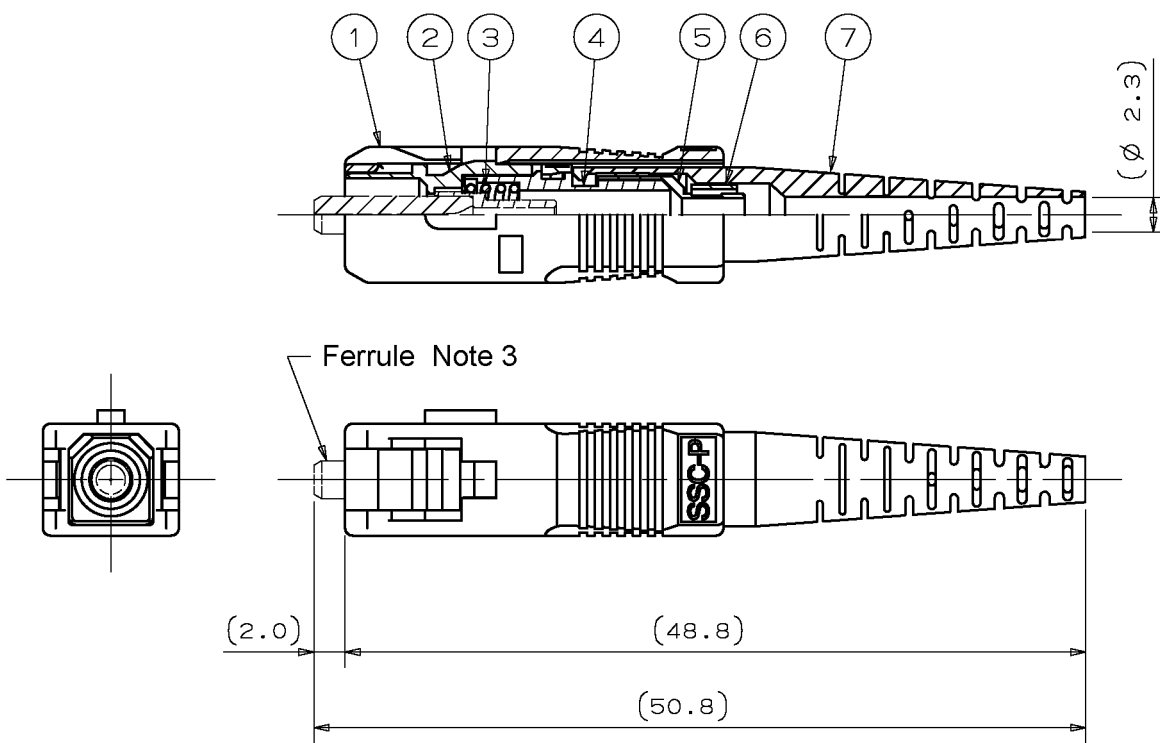
For storage of the product, keep in the packing bag and keep away from corrosive gas, high-temperature and humidity, extreme-low temperature and direct sunlight.

### 6.2 Precautions for Use

Contamination, oil, sweat and others debris on the ferrule end face may influence the performance of the product. If contamination is on the ferrule end face, wipe the end face with the end face cleaner.

### 6.3 Disposal

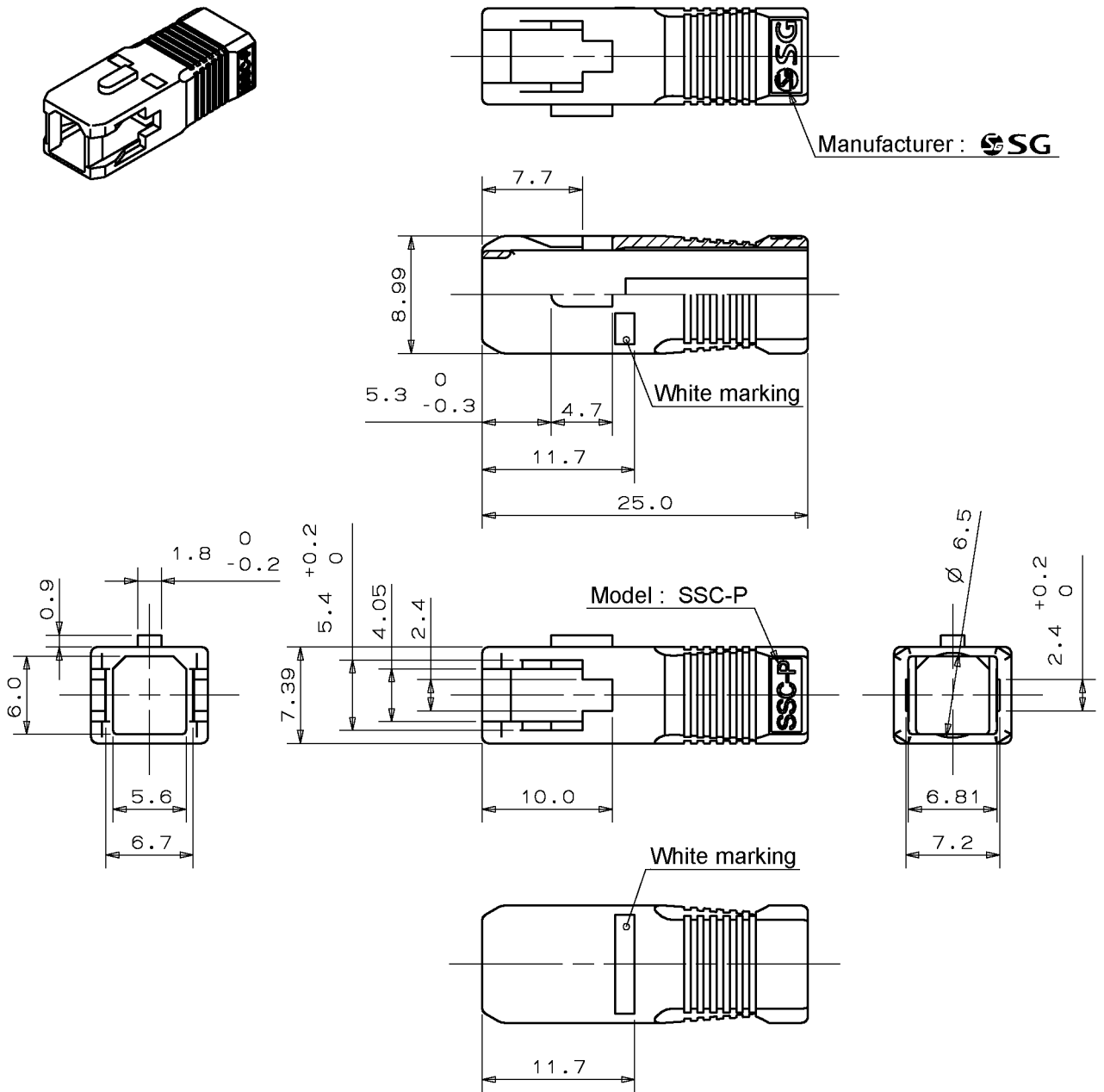
When discarding this product, please follow the regulations of your own country.



- Notes: 1 This drawing shows the tentatively assembled condition including a ferrule. On practical shipment of SSC-P2S housing, this tentative assembly is not available.
- 2 This drawing does not include the cap.
- 3 The ferrule is not included in SSC-P2S housing.

Unit: mm

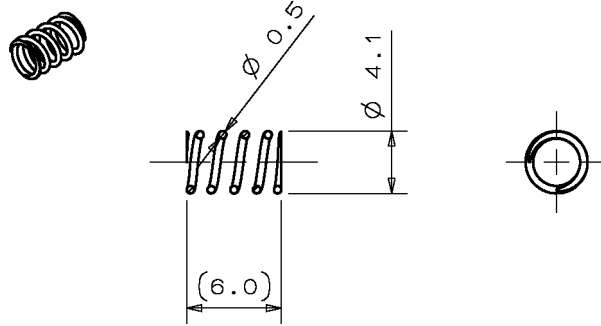
Figure 1 SSC-P2S Series Housing



Unit: mm

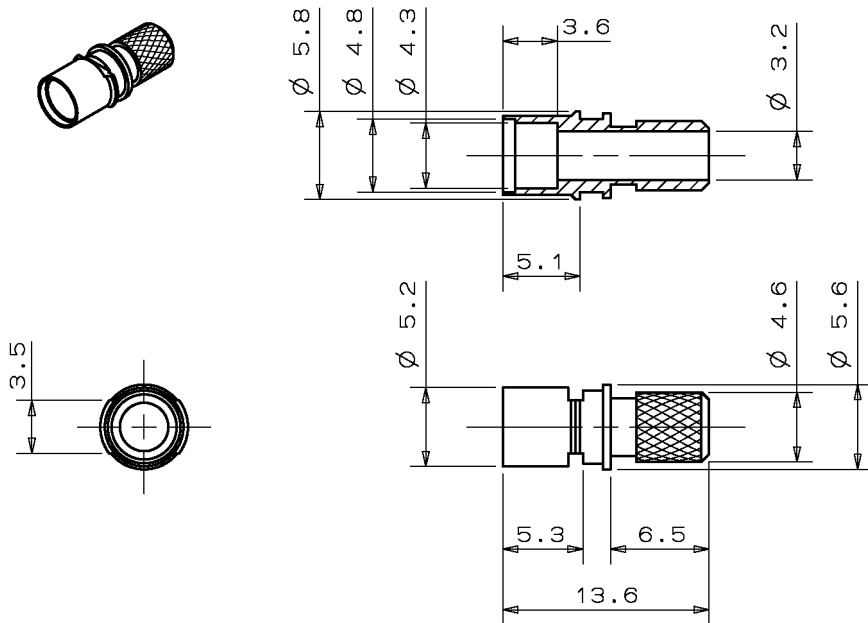
Figure 2 ①Grip





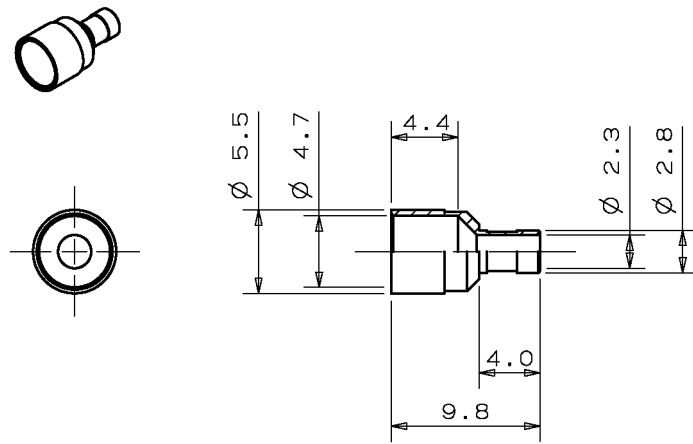
Unit: mm

Figure 4 ③Spring



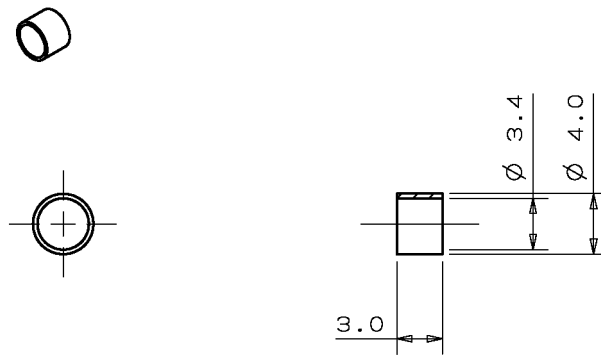
Unit: mm

Figure 5 ④Stop Ring



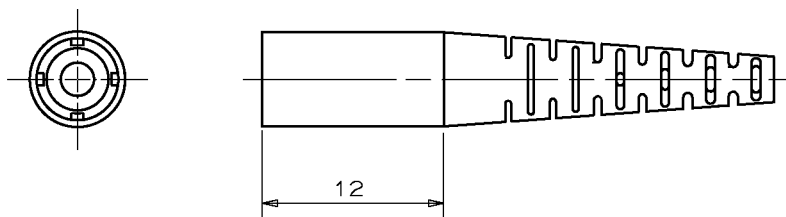
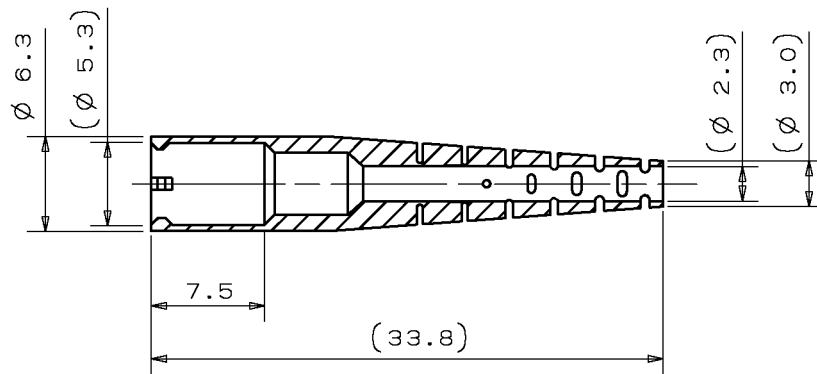
Unit: mm

Figure 6 ⑤Crimping Ring



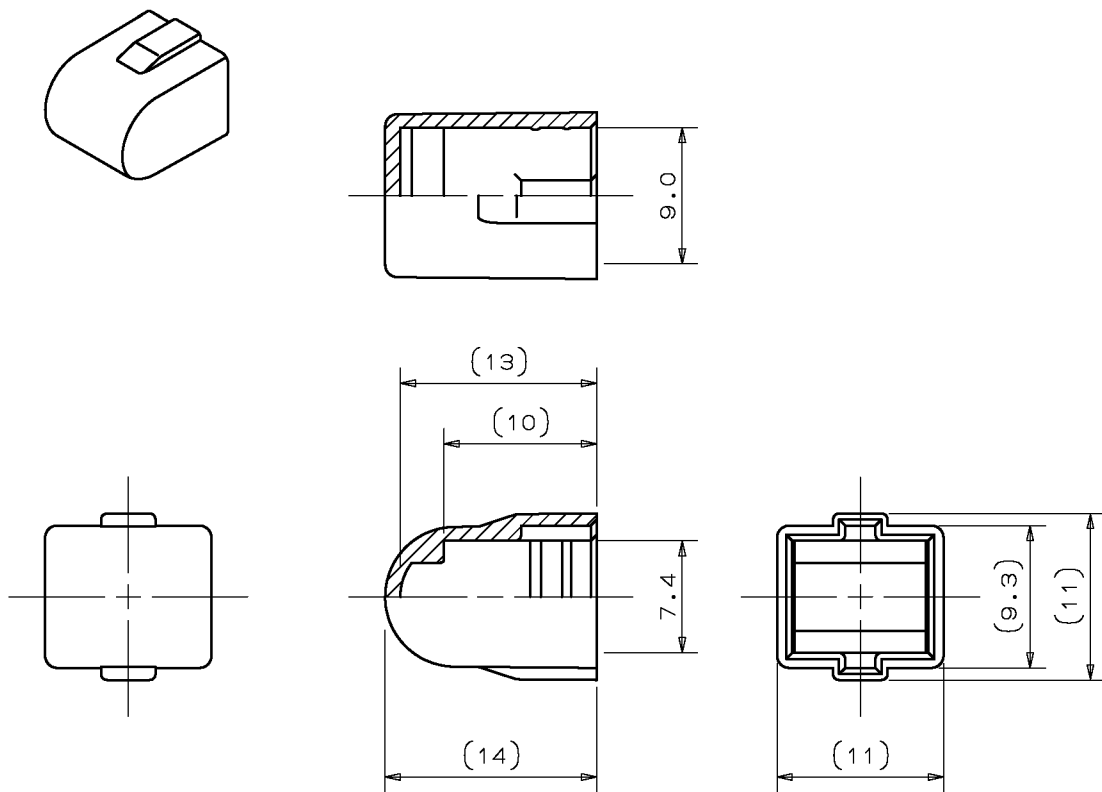
Unit: mm

Figure 7 ⑥Ring



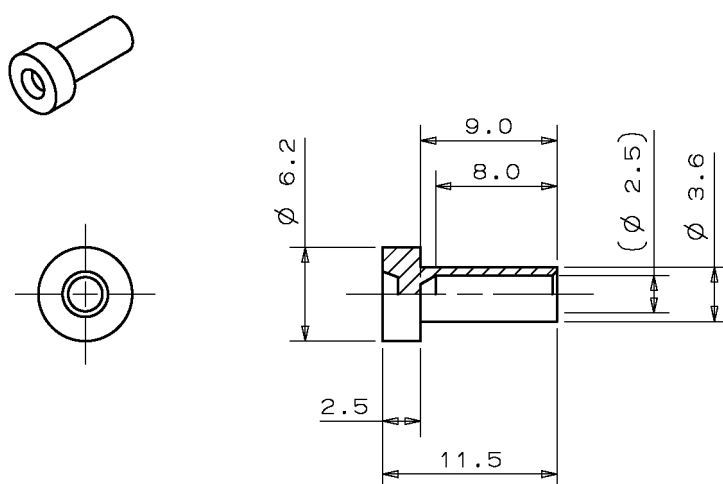
Unit: mm

Figure 8 ⑦Boot (Short Boot)



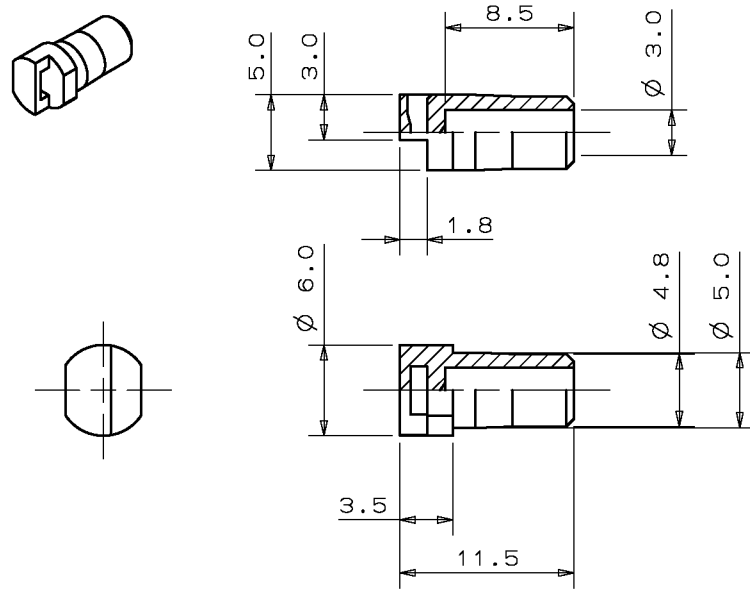
Unit: mm

Figure 9 ⑧-1 Cap (Grip Cap)



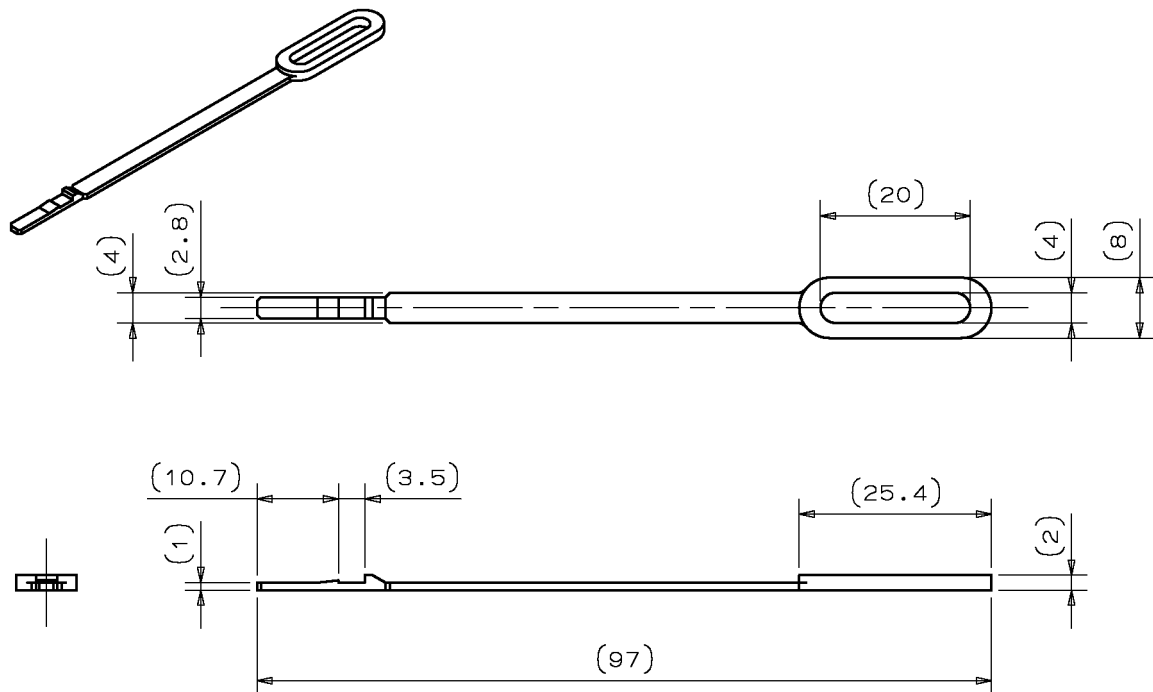
Unit: mm

Figure 10 ⑧-2 Cap (Ferrule Cap)



Unit: mm

Figure 11 ㊸-3 Cap (Frame Cap)



Unit: mm

Figure 12 ㊸String (for Frame Cap)