

SGP-4 Series

FC HOUSING

for PC

- 360 degree variable tuning
for \varnothing 0.9 mm buffered fiber -

TECHNICAL SPECIFICATIONS



SEIKOH GIKEN Co.,Ltd.
Fiber Optic Products Division
296-1, MATSUHIDAI, MATSUDO-SHI,
CHIBA, 270-2214 JAPAN.
TEL: +81-47-388-6111 FAX: +81-47-388-4477

SGP-4 Series FC HOUSING for PC – 360 degree variable tuning for \varnothing 0.9 mm buffered fiber –
TECHNICAL SPECIFICATIONS

S05-001-0	August	1995
S05-001-1	June	2006
S05-H030-01E	October	2006
S05-H030-02E	September	2007

Copyright © 1995 - 2007 by **SEIKOH GIKEN Co.,Ltd.**
All right reserved.

The information contained herein shall not be reproduced or disclosed to any third party without the express written consent of SEIKOH GIKEN Co., Ltd.
The specifications contained herein are subject to change without notice.

Please address any questions, comments and suggestions to:

SEIKOH GIKEN USA, Inc.
Headquarters

4405 International Blvd., Suite B109
Norcross, GA 30093 U.S.A.
TEL: +1-770-279-6602 FAX: +1-770-279-8839

Northeastern Field Office

714 Executive Drive
Princeton, NJ 08540
TEL: +1-609-279-0225 FAX: +1-609-279-0207

Western Field Office

21250 Hawthorne Boulevard, Suite 700
Torrance, CA 90503
TEL: +1-310-792-7450 FAX: +1-310-792-7451

SEIKOH GIKEN Europe GmbH
Frankfurt Branch

Siemensstrasse 9
D-63263 Neu-Isenburg, Germany
TEL: +49-6102-297-701
FAX: +49-6102-297-750

SEIKOH GIKEN Hong Kong Co.,Ltd.

Concordia Plaza 21/F Rm2111,
1 Science Museum Road, Tsim Sha Tsui East,
Kowloon, Hong Kong.
TEL: +852-26206551 FAX: +852-26206525

TABLE OF CONTENTS

Section	Page
1 SCOPE	1
2 PART NUMBER	1
3 GENERAL SPECIFICATIONS	2
3.1 Physical Dimensions	2
3.2 Appearance	2
4 FEATURE	2
4.1 Mechanical Characteristics	2
4.2 Environmental Characteristics	2
5 PACKING	3
6 IDENTIFICATION	3
7 HANDLING AND CARE	3
7.1 Conditions of Storage	3
7.2 Precautions of Use	3
7.3 Disposal	3
8 DRAWING	3

Table

Table 1	Part Number	1
Table 2	Mechanical Characteristics	2
Table 3	Environmental Characteristics	2

1 SCOPE

These specifications apply to the SGP-4 series FC housing for PC – 360 degree variable tuning for \varnothing 0.9 mm buffered fiber -supplied by SEIKOH GIKEN Co., Ltd.

2 PART NUMBER

Part number of the housing is shown in Table 1.

Table 1 Part Number

MODEL Number		TYPE Number																																					
SGP-4		1	8	0	0	1	K	0	G																														
<table border="1"> <tr><th colspan="2">Boot Color</th></tr> <tr><td>1</td><td>Black</td></tr> </table>		Boot Color		1	Black	<table border="1"> <tr><th colspan="2">Boot I.D. [mm] , Marking</th></tr> <tr><td>8 0</td><td>for \varnothing 0.9 buffered fiber (flame retardant), No Marking</td></tr> </table>		Boot I.D. [mm] , Marking		8 0	for \varnothing 0.9 buffered fiber (flame retardant), No Marking	<table border="1"> <tr><th colspan="2">Cap</th></tr> <tr><td>0</td><td>No Cap</td></tr> <tr><td>1</td><td>Black Cap</td></tr> </table>		Cap		0	No Cap	1	Black Cap	<table border="1"> <tr><th colspan="2">Specification</th></tr> <tr><td>K</td><td>Mold frame</td></tr> <tr><td>J</td><td>Cutout frame</td></tr> </table>		Specification		K	Mold frame	J	Cutout frame	<table border="1"> <tr><th colspan="2">Package</th></tr> <tr><td>1</td><td>Main body tentatively assembled, Bulk Package</td></tr> </table>		Package		1	Main body tentatively assembled, Bulk Package	<table border="1"> <tr><th colspan="2">Auxiliary digit</th></tr> <tr><td>0 G</td><td></td></tr> </table>		Auxiliary digit		0 G	
Boot Color																																							
1	Black																																						
Boot I.D. [mm] , Marking																																							
8 0	for \varnothing 0.9 buffered fiber (flame retardant), No Marking																																						
Cap																																							
0	No Cap																																						
1	Black Cap																																						
Specification																																							
K	Mold frame																																						
J	Cutout frame																																						
Package																																							
1	Main body tentatively assembled, Bulk Package																																						
Auxiliary digit																																							
0 G																																							

Please contact us for other specifications.

3 GENERAL SPECIFICATIONS

3.1 Physical Dimensions

The product shall meet the specification in drawings.

- In accordance with IEC 61754-13 Type FC-PC connector family.
- In accordance with JIS C 5970 F01 Type connectors.

3.2 Appearance

There should be no burr, peeling of plating or scratches that affect the product.

4 FEATURE

4.1 Mechanical Characteristics

Mechanical characteristics are shown in table 2.

Table 2 Mechanical characteristics

Test item	Conditions		Appearance & function
Vibration	IEC 61300-2-1	Frequency: 10 to 55 Hz Amplitude: 1.5 mm p-p Direction: x, y, z axis Duration: 30 min / direction	There should be no deformation, crack, loose and other damages on the plug housing.
Mating durability	IEC 61300-2-2	500 times	It can be joined without any mechanical abnormality.

4.2 Environmental Characteristics

Environmental characteristics are shown in table 3.

Table 3 Environmental characteristics

Test item	Conditions		Appearance & function
Change of temperature	IEC 61300-2-22	-40 to +85 °C, 10 cycles	There should be no deformation, crack, loose and other damages on the plug housing.
Dry heat	IEC 61300-2-18	+85 °C, 240 hr	
Cold	IEC 61300-2-17	-40 °C, 240 hr	
Humidity / condensation cycling	Telcordia GR-326-CORE	-10 to +65 °C, 90 to 100 %RH, 14 cycles	

5 PACKING

The product is packed to prevent damage during shipment.

6 IDENTIFICATION

Identification label should indicate the part number and lot number of the product(s) and should be permanently attached to the packing bag.

7 HANDLING AND CARE

7.1 Conditions of Storage

Keep the product, in the packing bag, at the following conditions for its storage.

- Storage temperature: -40 to +85 degrees C
- Storage humidity: 0 to 85%RH, non-condensing

7.2 Precautions for Use

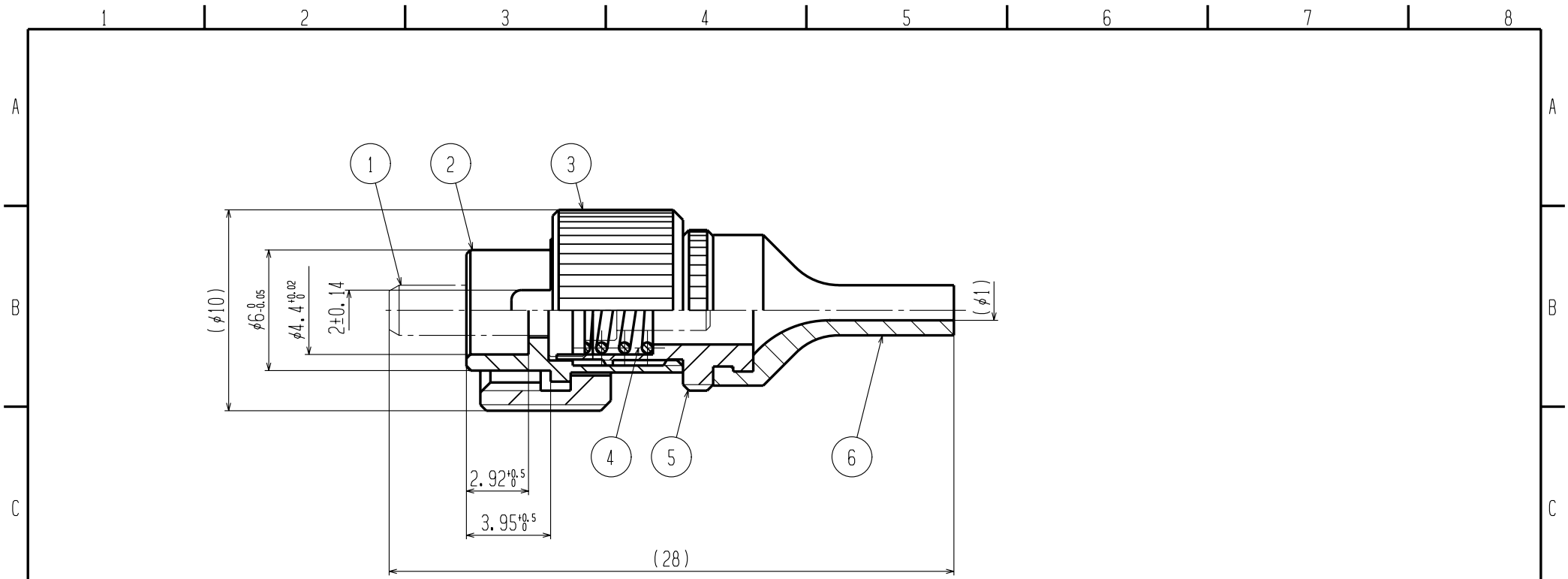
Contamination, oil, sweat and others debris on the ferrule end face may influence the performance of the product. If contamination is on the ferrule end face, wipe the end face with the end face cleaner.

7.3 Disposal

When discarding this product, please follow the regulations of your own country.

8 DRAWING

- S05-H030-D01E : SGP-418001K0G
- S05-H030-D02E : SGP-418001J0G
- S05-H030-D03E : SGP-418011K0G
- S05-H030-D04E : SGP-418011J0G

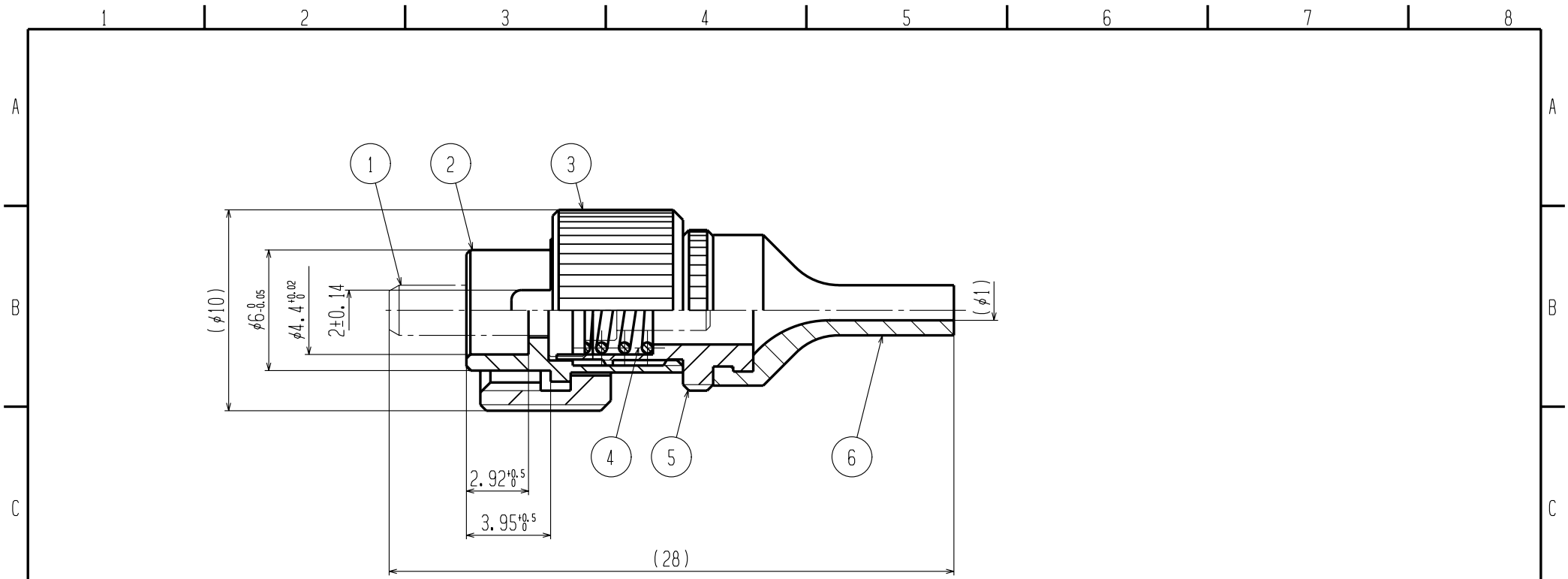


6	1	BOOT (BLACK)	SYNTHETIC RUBBER	
5	1	HOLDER	BRASS	Ni PLATING
4	1	COMPRESSION SPRING	STAINLESS STEEL WIRE	
3	1	COUPLING NUT	BRASS	Ni PLATING
2	1	FRAME	Zn DIECAST	Ni PLATING
1	(1)	FERRULE	-	NOT INCLUDING
NO (番号)	QTY (数量)	TITLE (名称)	MATERIAL (材料)	TREATMENT (処理)

PARTS LIST
(部品表)

MATERIAL (材料)		PART NO. (型番)		SGP-4 Series	
TREATMENT (処理)		DATE (日付)		SGP-4 18001KOG	
SCALE (尺度)	UNIT (単位)	DATE (日付)	TITLE (名称)		
Free	1=1mm	2007/06/15	FC HOUSING for PC		
APPROVED BY (承認)	CHECKED BY (検閲)	DESIGNED BY (設計)	DRAWN BY (製図)	(360 degree variable tuning for φ0.9mm buffered fiber)	
Y. KAKUTANI	K. KURUMADA	M. JIBIKI	M. JIBIKI	ITEM NO. (品目コード)	SHEET NO. (枚数)
SEIKOH GIKEN Co.,Ltd.			DRAWING NO. (図番)	S05-H030-D01E	PAGE (ページ)

△		
△		
△	P/N CHANGE	2007/06/15
△	ISSUED	2006/10/20
Rev. (回 数)	DESIGN CHANGE (変更 記事)	DATE (日 付)

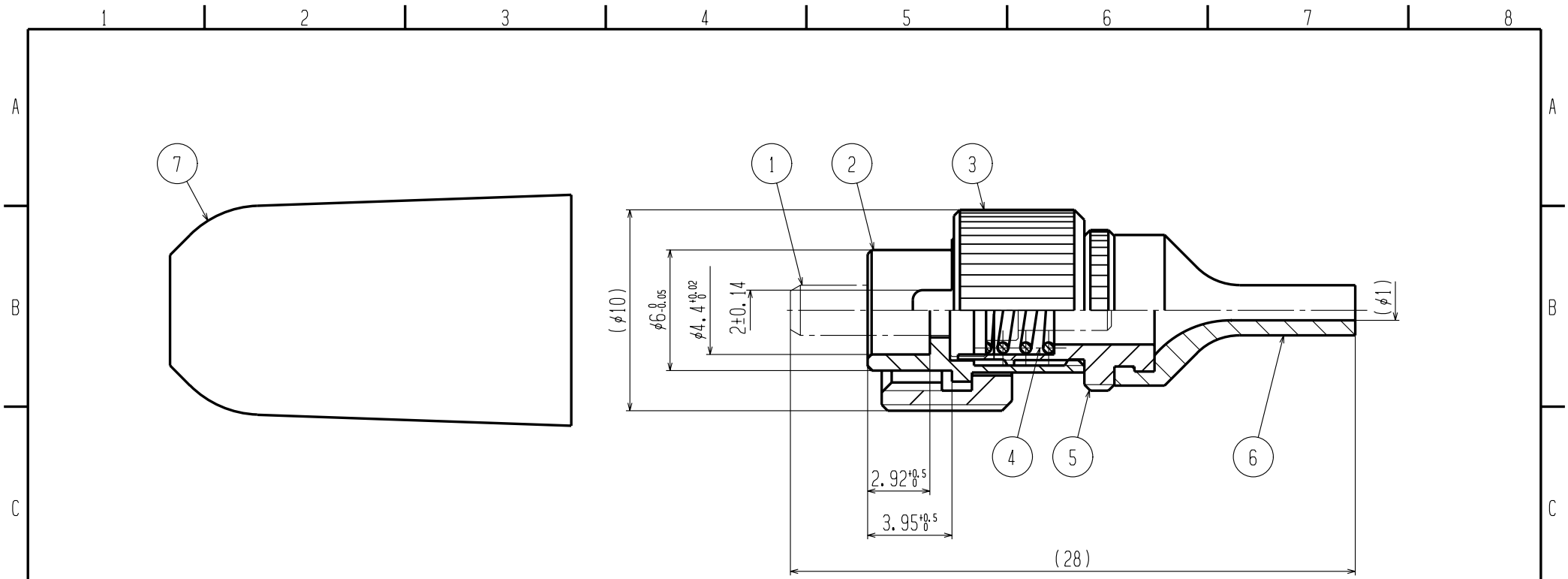


6	1	BOOT (BLACK)	SYNTHETIC RUBBER	
5	1	HOLDER	BRASS	Ni PLATING
4	1	COMPRESSION SPRING	STAINLESS STEEL WIRE	
3	1	COUPRING NUT	BRASS	Ni PLATING
2	1	FRAME	BRASS	Ni PLATING
1	(1)	FERRULE	-	NOT INCLUDING
NO (番号)	QTY (数量)	TITLE (名称)	MATERIAL (材料)	TREATMENT (処理)

PARTS LIST
(部品表)

MATERIAL (材料)		PART NO. (型番)		SGP-4 Series	
TREATMENT (処理)		DATE (日付)		SGP-4 18001JOG	
SCALE (尺度)	UNIT (単位)	DATE (日付)	TITLE (名称)		
Free	1=1mm	2007/06/15	FC HOUSING for PC		
APPROVED BY (承認)	CHECKED BY (検閲)	DESIGNED BY (設計)	DRAWN BY (製図)	(360 degree variable tuning for φ0.9mm buffered fiber)	
Y. KAKUTANI	K. KURUMADA	M. JIBIKI	M. JIBIKI	ITEM NO. (品目コード)	SHEET NO. (枚数)
SEIKOH GIKEN Co.,Ltd.			DRAWING NO. (図番)	S05-H030-D02E	PAGE (ページ)

△		
△		
△	P/N CHANGE	2007/06/15
△	ISSUED	2006/10/20
Rev. (回 数)	DESIGN CHANGE (変更 記事)	DATE (日 付)

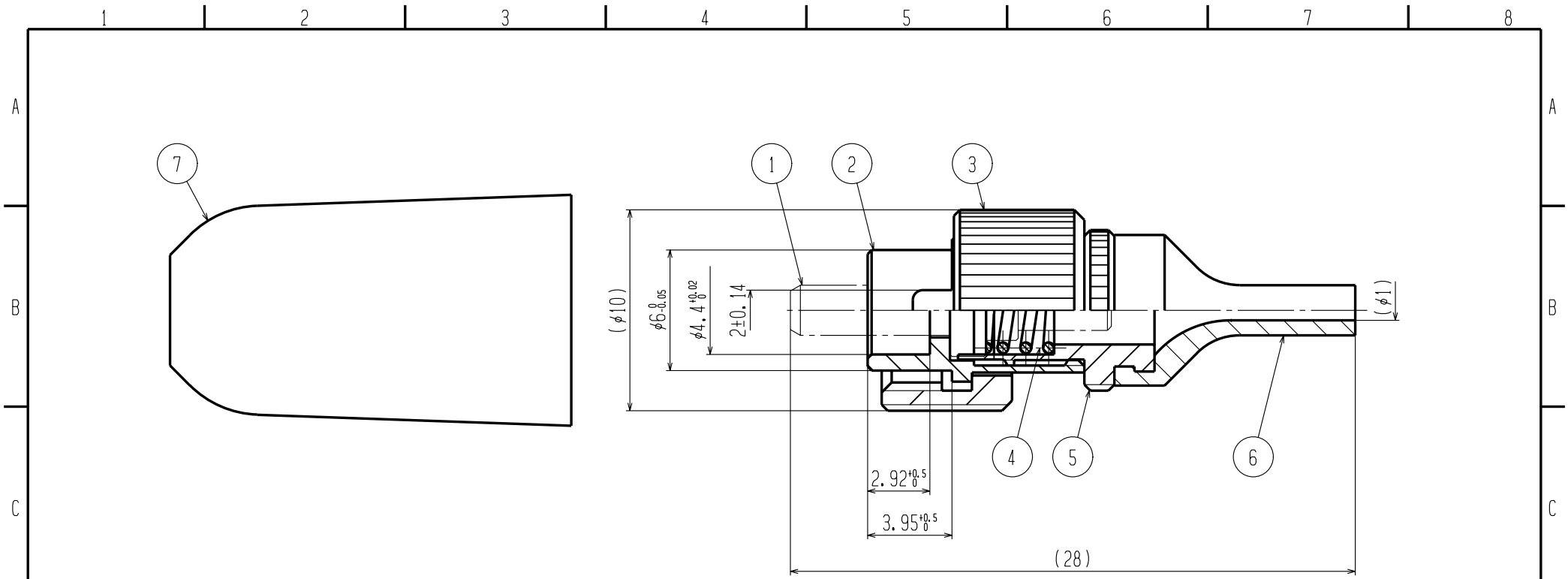


7	1	CAP(BLACK)	PVC	
6	1	BOOT(BLACK)	SYNTHETIC RUBBER	
5	1	HOLDER	BRASS	Ni PLATING
4	1	COMPRESSION SPRING	STAINLESS STEEL WIRE	
3	1	COUPLING NUT	BRASS	Ni PLATING
2	1	FRAME	Zn DIECAST	Ni PLATING
1	(1)	FERRULE	-	NOT INCLUDING
NO (番号)	QTY (数量)	TITLE (名称)	MATERIAL (材料)	TREATMENT (処理)

PARTS LIST
(部品表)

MATERIAL (材料)		PART NO. (型番)		SGP-4 Series	
TREATMENT (処理)		SCALE (尺度)		TITLE (名称)	
Free		UNIT (単位)		SGP-4 18011KOG	
1=1mm		DATE (日付)		FC HOUSING for PC	
APPROVED BY (承認)		DESIGNED BY (設計)		(360 degree variable tuning for φ0.9mm buffered fiber)	
Y. KAKUTANI		M. JIBIKI		ITEM NO. (品目コード)	
CHECKED BY (検閲)		DRAWN BY (製図)		SHEET NO. (枚数)	
D. KUBO		M. JIBIKI		PAGE (ページ)	
SEIKOH GIKEN Co.,Ltd.				DRAWING NO. (図番)	
				S05-H030-D03E	

△		
△		
△		
△	ISSUED	2007/09/03
Rev. (回 数)	DESIGN CHANGE (変更 記事)	DATE (日 付)



7	1	CAP(BLACK)	PVC	
6	1	BOOT(BLACK)	SYNTHETIC RUBBER	
5	1	HOLDER	BRASS	Ni PLATING
4	1	COMPRESSION SPRING	STAINLESS STEEL WIRE	
3	1	COUPLING NUT	BRASS	Ni PLATING
2	1	FRAME	BRASS	Ni PLATING
1	(1)	FERRULE	-	NOT INCLUDING
NO (番号)	QTY (数量)	TITLE (名称)	MATERIAL (材料)	TREATMENT (処理)

PARTS LIST
(部品表)

MATERIAL (材料)	PART NO. (型番)	SGP-4 Series	
TREATMENT (処理)	SGP-4 18011JOG		
SCALE (尺度)	UNIT (単位)	DATE (日付)	TITLE (名称)
Free	1=1mm	2007/09/03	FC HOUSING for PC
APPROVED BY (承認)	CHECKED BY (検閲)	DESIGNED BY (設計)	DRAWN BY (製図)
Y. KAKUTANI	D. KUBO	M. JIBIKI	M. JIBIKI
SEIKOH GIKEN Co.,Ltd.			ITEM NO. (品目コード)
			SHEET NO. (枚数)
			PAGE (ページ)
			DRAWING NO. (図番)
			S05-H030-D04E

△		
△		
△		
△	ISSUED	2007/09/03
Rev. (回 数)	DESIGN CHANGE (変更 記事)	DATE (日 付)