

SGP-N4 Series

FC HOUSING

for Angled-PC

- 360 degree variable tuning
for \varnothing 0.9 mm buffered fiber -

TECHNICAL SPECIFICATIONS



SEIKOH GIKEN Co.,Ltd.

Fiber Optic Products Division

296-1, MATSUHIDAI, MATSUDO-SHI,
CHIBA, 270-2214 JAPAN.

TEL: +81-47-388-6111 FAX: +81-47-388-4477

SGP-N4 Series FC HOUSING for Angled-PC– 360 degree variable tuning for \varnothing 0.9 mm
buffered fiber –
TECHNICAL SPECIFICATIONS

| | | |
|--------------|-----------|------|
| S05-002-0 | August | 1995 |
| S05-002-1 | March | 2001 |
| S05-002-2 | June | 2006 |
| S05-H031-01E | October | 2006 |
| S05-H031-02E | September | 2007 |

Copyright © 1995 - 2007 by **SEIKOH GIKEN Co.,Ltd.**
All right reserved.

The information contained herein shall not be reproduced or disclosed to any third party
without the express written consent of SEIKOH GIKEN Co., Ltd.
The specifications contained herein are subject to change without notice.

Please address any questions, comments and suggestions to:

SEIKOH GIKEN USA, Inc.
Headquarters

4405 International Blvd., Suite B109
Norcross, GA 30093 U.S.A.
TEL: +1-770-279-6602 FAX: +1-770-279-8839

Northeastern Field Office

714 Executive Drive
Princeton, NJ 08540
TEL: +1-609-279-0225 FAX: +1-609-279-0207

Western Field Office

21250 Hawthorne Boulevard, Suite 700
Torrance, CA 90503
TEL: +1-310-792-7450 FAX: +1-310-792-7451

SEIKOH GIKEN Europe GmbH
Frankfurt Branch

Siemensstrasse 9
D-63263 Neu-Isenburg, Germany
TEL: +49-6102-297-701
FAX: +49-6102-297-750

SEIKOH GIKEN Hong Kong Co.,Ltd.

Concordia Plaza 21/F Rm2111,
1 Science Museum Road, Tsim Sha Tsui East,
Kowloon, Hong Kong.
TEL: +852-26206551 FAX: +852-26206525

TABLE OF CONTENTS

| Section | | Page |
|---------|-------------------------------|------|
| 1 | SCOPE | 1 |
| 2 | PART NUMBER | 1 |
| 3 | GENERAL SPECIFICATIONS | 2 |
| 3.1 | Physical Dimensions | 2 |
| 3.2 | Appearance | 2 |
| 4 | FEATURE | 2 |
| 4.1 | Mechanical Characteristics | 2 |
| 4.2 | Environmental Characteristics | 2 |
| 5 | PACKING | 3 |
| 6 | IDENTIFICATION | 3 |
| 7 | HANDLING AND CARE | 3 |
| 7.1 | Conditions of Storage | 3 |
| 7.2 | Precautions of Use | 3 |
| 7.3 | Disposal | 3 |
| 8 | DRAWING | 3 |

Table

| | | |
|---------|-------------------------------|---|
| Table 1 | Part Number | 1 |
| Table 2 | Mechanical Characteristics | 2 |
| Table 3 | Environmental Characteristics | 2 |

1 SCOPE

These specifications apply to the SGP-N4 series FC housing for Angled-PC – 360 degree variable tuning for ø 0.9 mm buffered fiber – supplied by SEIKOH GIKEN Co., Ltd.

2 PART NUMBER

Part number of the housing is shown in Table 1.

Table 1 Part Number

| MODEL Number | | TYPE Number | | | | | | | | | | | | | | | | | | | | | | | | | | | | | | | | | | | | | | | |
|--|--|-------------|----------|----------|----------|----------|----------|--|----------|--------------------------|--|-----|--|--|--|-----------------|--|---|---|---|--|---------------|--|---|----------------------------------|---|------------------------------------|--|--|---------|--|---|---|--|--|-----|--|---|--------|---|-----------|
| SGP-N4 | | 8 | 8 | 0 | 0 | 1 | K | 0 | G | | | | | | | | | | | | | | | | | | | | | | | | | | | | | | | | |
| <table border="1"> <thead> <tr> <th colspan="2">Boot Color</th> </tr> </thead> <tbody> <tr> <td>1</td> <td>Black</td> </tr> <tr> <td>8</td> <td>Green</td> </tr> </tbody> </table> | | Boot Color | | 1 | Black | 8 | Green | <table border="1"> <thead> <tr> <th colspan="2">Boot I.D. [mm] , Marking</th> </tr> </thead> <tbody> <tr> <td>8 0</td> <td>for ø 0.9 buffered fiber (flame retardant), No Marking</td> </tr> </tbody> </table> | | Boot I.D. [mm] , Marking | | 8 0 | for ø 0.9 buffered fiber (flame retardant), No Marking | <table border="1"> <thead> <tr> <th colspan="2">Auxiliary digit</th> </tr> </thead> <tbody> <tr> <td>0</td> <td>G</td> </tr> </tbody> </table> | | Auxiliary digit | | 0 | G | <table border="1"> <thead> <tr> <th colspan="2">Specification</th> </tr> </thead> <tbody> <tr> <td>K</td> <td>Mold frame R-type - Narrow Key -</td> </tr> <tr> <td>J</td> <td>Cutout frame R-type - Narrow Key -</td> </tr> </tbody> </table> | | Specification | | K | Mold frame R-type - Narrow Key - | J | Cutout frame R-type - Narrow Key - | <table border="1"> <thead> <tr> <th colspan="2">Package</th> </tr> </thead> <tbody> <tr> <td>1</td> <td>Main body tentatively assembled, Bulk Package</td> </tr> </tbody> </table> | | Package | | 1 | Main body tentatively assembled, Bulk Package | <table border="1"> <thead> <tr> <th colspan="2">Cap</th> </tr> </thead> <tbody> <tr> <td>0</td> <td>No Cap</td> </tr> <tr> <td>8</td> <td>Green Cap</td> </tr> </tbody> </table> | | Cap | | 0 | No Cap | 8 | Green Cap |
| Boot Color | | | | | | | | | | | | | | | | | | | | | | | | | | | | | | | | | | | | | | | | | |
| 1 | Black | | | | | | | | | | | | | | | | | | | | | | | | | | | | | | | | | | | | | | | | |
| 8 | Green | | | | | | | | | | | | | | | | | | | | | | | | | | | | | | | | | | | | | | | | |
| Boot I.D. [mm] , Marking | | | | | | | | | | | | | | | | | | | | | | | | | | | | | | | | | | | | | | | | | |
| 8 0 | for ø 0.9 buffered fiber (flame retardant), No Marking | | | | | | | | | | | | | | | | | | | | | | | | | | | | | | | | | | | | | | | | |
| Auxiliary digit | | | | | | | | | | | | | | | | | | | | | | | | | | | | | | | | | | | | | | | | | |
| 0 | G | | | | | | | | | | | | | | | | | | | | | | | | | | | | | | | | | | | | | | | | |
| Specification | | | | | | | | | | | | | | | | | | | | | | | | | | | | | | | | | | | | | | | | | |
| K | Mold frame R-type - Narrow Key - | | | | | | | | | | | | | | | | | | | | | | | | | | | | | | | | | | | | | | | | |
| J | Cutout frame R-type - Narrow Key - | | | | | | | | | | | | | | | | | | | | | | | | | | | | | | | | | | | | | | | | |
| Package | | | | | | | | | | | | | | | | | | | | | | | | | | | | | | | | | | | | | | | | | |
| 1 | Main body tentatively assembled, Bulk Package | | | | | | | | | | | | | | | | | | | | | | | | | | | | | | | | | | | | | | | | |
| Cap | | | | | | | | | | | | | | | | | | | | | | | | | | | | | | | | | | | | | | | | | |
| 0 | No Cap | | | | | | | | | | | | | | | | | | | | | | | | | | | | | | | | | | | | | | | | |
| 8 | Green Cap | | | | | | | | | | | | | | | | | | | | | | | | | | | | | | | | | | | | | | | | |

Please contact us for other specifications.

3 GENERAL SPECIFICATIONS

3.1 Physical Dimensions

The product shall meet the specification in drawings.

- In accordance with IEC 61754-13 Type FC-PC connector family.
- In accordance with JIS C 5970 F01 Type connectors.

3.2 Appearance

There should be no burr, peeling of plating or scratches that affect the product.

4 FEATURE

4.1 Mechanical Characteristics

Mechanical characteristics are shown in table 2.

Table 2 Mechanical characteristics

| Test item | Conditions | | Appearance & function |
|-------------------|------------------|--|---|
| Vibration | IEC 61300-2-1 | Frequency: 10 to 55 Hz Amplitude: 1.5 mm p-p Direction: x, y, z axis Duration: 30 min / direction | There should be no deformation, crack, loose and other damages on the plug housing. |
| Mating durability | IEC 61300-2-2 | 500 times | It can be joined without any mechanical abnormality. |

4.2 Environmental Characteristics

Environmental characteristics are shown in table 3.

Table 3 Environmental characteristics

| Test item | Conditions | | Appearance & function |
|---------------------------------|--------------------------|---|---|
| Change of temperature | IEC 61300-2-22 | -40 to +85 °C, 10 cycles | There should be no deformation, crack, loose and other damages on the plug housing. |
| Dry heat | IEC 61300-2-18 | +85 °C, 240 hr | |
| Cold | IEC 61300-2-17 | -40 °C, 240 hr | |
| Humidity / condensation cycling | Telcordia GR-326-CORE | -10 to +65 °C, 90 to 100 %RH, 14 cycles | |

5 PACKING

The product is packed to prevent damage during shipment.

6 IDENTIFICATION

Identification label should indicate the part number and lot number of the product(s) and should be permanently attached to the packing bag.

7 HANDLING AND CARE

7.1 Conditions of Storage

Keep the product, in the packing bag, at the following conditions for its storage.

- Storage temperature: -40 to +85 degrees C
- Storage humidity: 0 to 85%RH, non-condensing

7.2 Precautions for Use

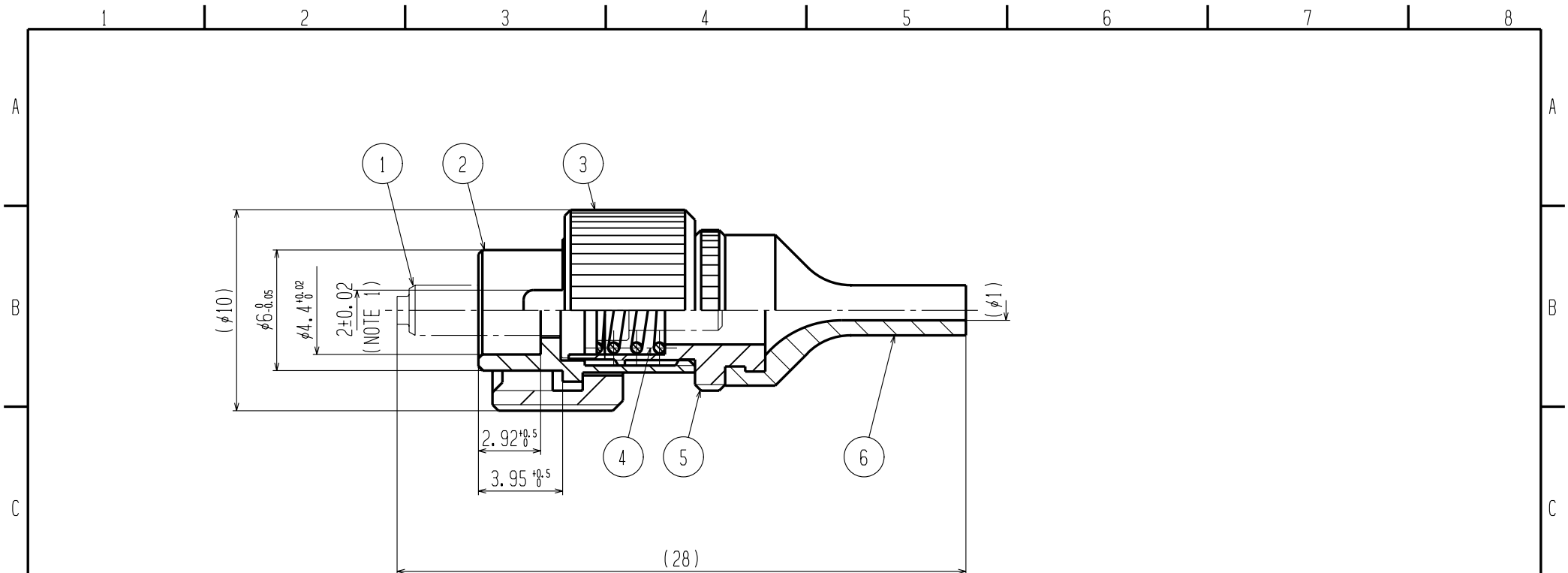
Contamination, oil, sweat and others debris on the ferrule end face may influence the performance of the product. If contamination is on the ferrule end face, wipe the end face with the end face cleaner.

7.3 Disposal

When discarding this product, please follow the regulations of your own country.

8 DRAWING

- S05-H031-D01E : SGP-N488001K0G
- S05-H031-D02E : SGP-N488001J0G
- S05-H031-D03E : SGP-N488081K0G
- S05-H031-D04E : SGP-N488081J0G



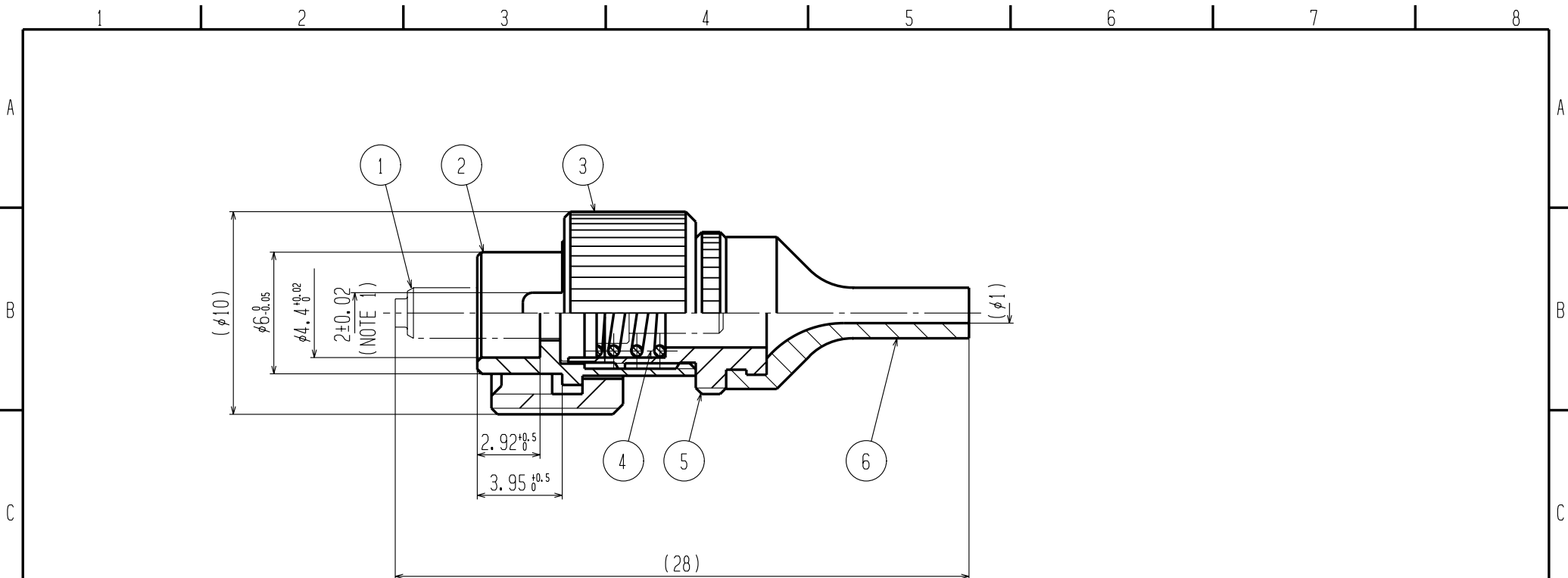
(NOTE 1) The key width is specified by the measurement at 1mm from the key base.

| 6 | 1 | BOOT (GREEN) | SYNTHETIC RUBBER | |
|------------|-------------|--------------------|----------------------|-------------------|
| 5 | 1 | HOLDER | BRASS | Ni PLATING |
| 4 | 1 | COMPRESSION SPRING | STAINLESS STEEL WIRE | |
| 3 | 1 | COUPRING NUT | BRASS | Ni PLATING |
| 2 | 1 | FRAME | Zn DIECAST | Ni PLATING |
| 1 | (1) | FERRULE | | NOT INCLUDING |
| NO (番号) | QTY (数量) | TITLE (名称) | MATERIAL (材料) | TREATMENT (処理) |

PARTS LIST (部品表)

| | | | | | |
|-----------------------|-----------------|------------------|---------------|--------------------------|--|
| MATERIAL (材料) | | PART NO. (型番) | | SGP-N4 Series | |
| TREATMENT (処理) | | DATE (日付) | | SGP-N488001KOG | |
| SCALE (尺度) | UNIT (単位) | DATE (日付) | | TITLE (名称) | |
| Free | 1=1mm | 2007/06/15 | | FC HOUSING for Angled-PC | |
| APPROVED BY (承認) | CHECKED BY (検閲) | DESIGNED BY (設計) | DRAWN BY (製図) | ITEM NO. (品番) | |
| Y. KAKUTANI | K. KURUMADA | M. JIBIKI | M. JIBIKI | SHEET NO. (枚数) | |
| SEIKOH GIKEN Co.,Ltd. | | | | DRAWING NO. (図番) | |
| | | | | S05-H031-D01E | |
| | | | | PAGE (ページ) | |

| | | |
|------------|-----------------------|------------|
| △ | | |
| △ | | |
| △ | P/N CHANGE | 2007/06/15 |
| △ | ISSUED | 2006/10/20 |
| Rev. (回 数) | DESIGN CHANGE (変更 記事) | DATE (日付) |



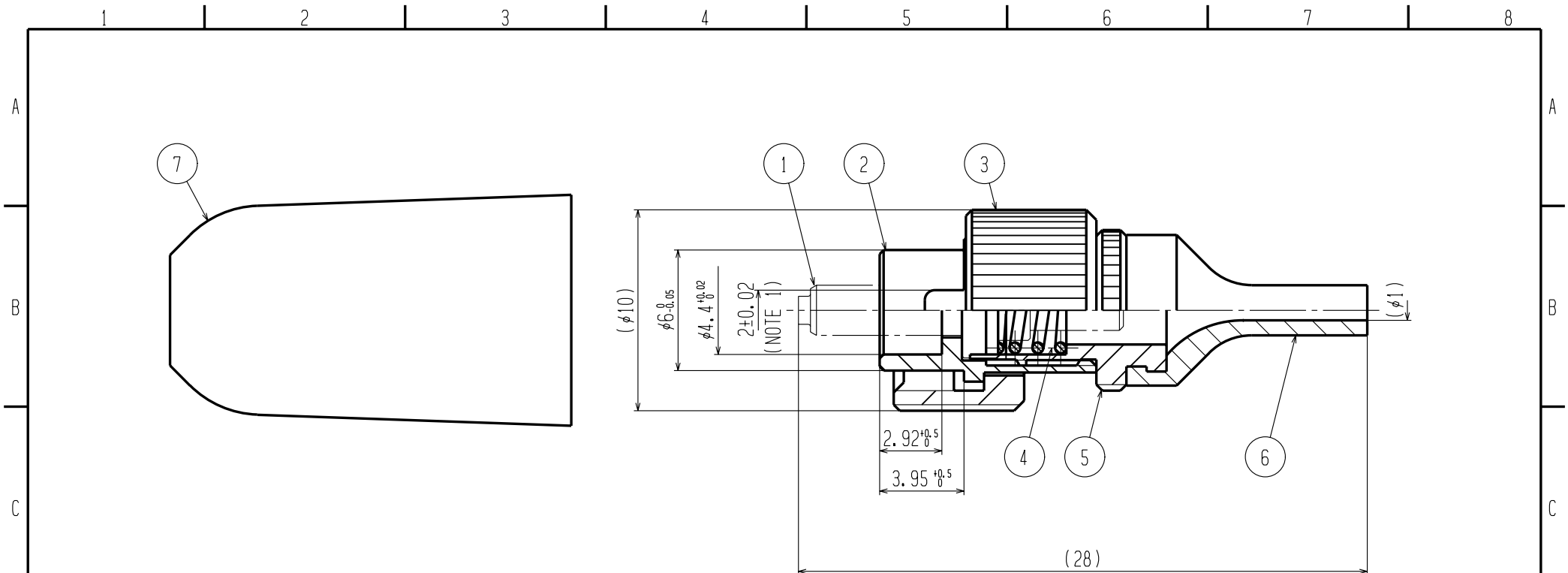
(NOTE 1) The key width is specified by the measurement at 1mm from the key base.

| 6 | 1 | BOOT(GREEN) | SYNTHETIC RUBBER | |
|------------|-------------|--------------------|----------------------|-------------------|
| 5 | 1 | HOLDER | BRASS | Ni PLATING |
| 4 | 1 | COMPRESSION SPRING | STAINLESS STEEL WIRE | |
| 3 | 1 | COUPRING NUT | BRASS | Ni PLATING |
| 2 | 1 | FRAME | BRASS | Ni PLATING |
| 1 | (1) | FERRULE | | NOT INCLUDING |
| NO (番号) | QTY (数量) | TITLE (名称) | MATERIAL (材料) | TREATMENT (処理) |

PARTS LIST
(部品表)

| | | | | | |
|-----------------------|--------------------|---------------------|--|---------------------|-------------------|
| MATERIAL (材料) | | PART NO. (型番) | | SGP-N4 Series | |
| TREATMENT (処理) | | | | SGP-N488001JOG | |
| SCALE (尺度) | UNIT (単位) | DATE (日付) | TITLE (名称) | | |
| Free | 1=1mm | 2007/06/15 | FC HOUSING for Angled-PC (360 degree variable tuning for φ0.9mm buffered fiber) | | |
| APPROVED BY (承認) | CHECKED BY (検閲) | DESIGNED BY (設計) | DRAWN BY (製図) | ITEM NO. (品目コード) | SHEET NO. (枚数) |
| Y. KAKUTANI | K. KURUMADA | M. JIBIKI | M. JIBIKI | | |
| SEIKOH GIKEN Co.,Ltd. | | | DRAWING NO. (図番) | S05-H031-D02E | PAGE (ページ) |

| | | |
|---------------|--------------------------|--------------|
| △ | | |
| △ | | |
| △ | P/N CHANGE | 2007/06/15 |
| △ | ISSUED | 2006/10/20 |
| Rev. (回 数) | DESIGN CHANGE (変更 記事) | DATE (日付) |



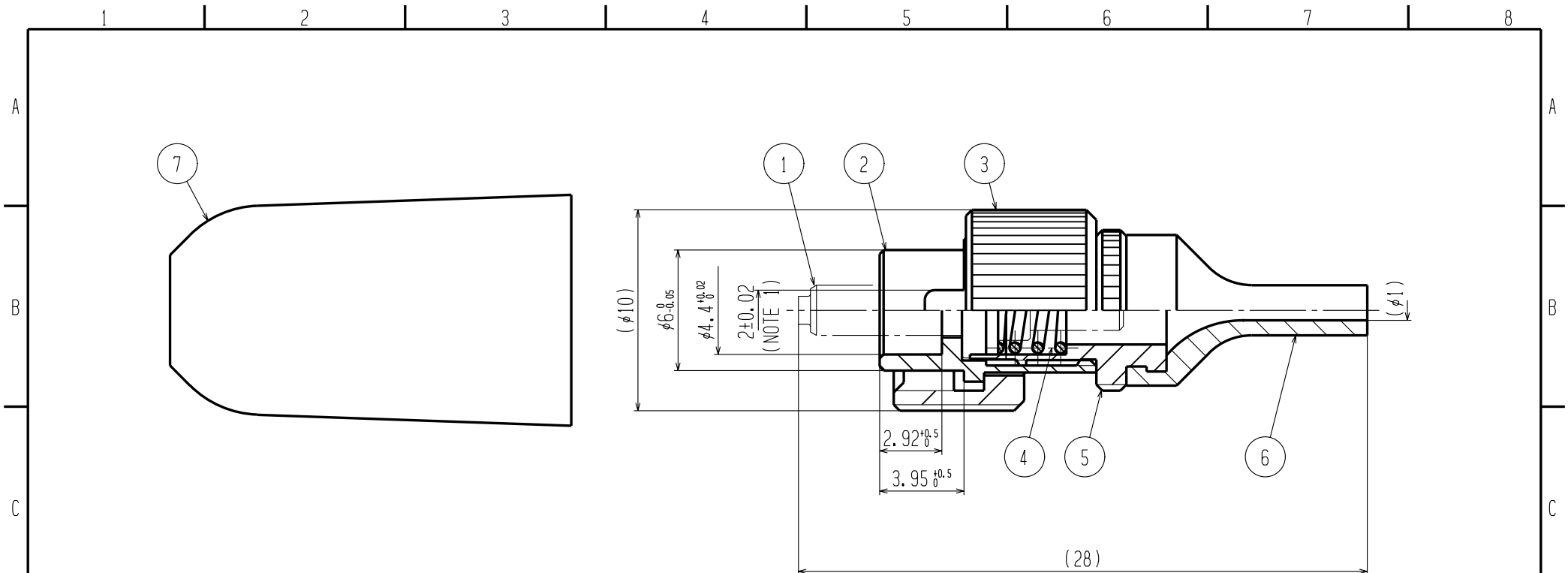
(NOTE 1) The key width is specified by the measurement at 1mm from the key base.

| | | | | |
|------------|-------------|--------------------|----------------------|-------------------|
| 7 | 1 | CAP(GREEN) | PVC | |
| 6 | 1 | BOOT(GREEN) | SYNTHETIC RUBBER | |
| 5 | 1 | HOLDER | BRASS | Ni PLATING |
| 4 | 1 | COMPRESSION SPRING | STAINLESS STEEL WIRE | |
| 3 | 1 | COUPRING NUT | BRASS | Ni PLATING |
| 2 | 1 | FRAME | Zn DIECAST | Ni PLATING |
| 1 | (1) | FERRULE | | NOT INCLUDING |
| NO (番号) | QTY (数量) | TITLE (名称) | MATERIAL (材料) | TREATMENT (処理) |

PARTS LIST (部品表)

| | | | |
|-----------------------|--------------------|---------------------|--|
| MATERIAL (材料) | PART NO. (型番) | SGP-N4 Series | |
| TREATMENT (処理) | SGP-N488081KOG | | |
| SCALE (尺度) | UNIT (単位) | DATE (日付) | TITLE (名称) |
| Free | 1=1mm | 2007/09/03 | FC HOUSING for Angled-PC (360 degree variable tuning for ϕ 0.9mm buffered fiber) |
| APPROVED BY (承認) | CHECKED BY (検閲) | DESIGNED BY (設計) | DRAWN BY (製図) |
| Y. KAKUTANI | D. KUBO | M. JIBIKI | M. JIBIKI |
| SEIKOH GIKEN Co.,Ltd. | | | ITEM NO. (品目コード) |
| | | | SHEET NO. (枚数) |
| | | | PAGE (ページ) |
| | | | DRAWING NO. (図番) |
| | | | S05-H031-D03E |

| | | |
|---------------|--------------------------|---------------|
| △ | | |
| △ | | |
| △ | | |
| △ | ISSUED | 2007/09/03 |
| Rev. (回 数) | DESIGN CHANGE (変更 記事) | DATE (日 付) |



(NOTE 1) The key width is specified by the measurement at 1mm from the key base.

| | | | | |
|------------|-------------|--------------------|----------------------|-------------------|
| 7 | 1 | CAP(GREEN) | PVC | |
| 6 | 1 | BOOT(GREEN) | SYNTHETIC RUBBER | |
| 5 | 1 | HOLDER | BRASS | Ni PLATING |
| 4 | 1 | COMPRESSION SPRING | STAINLESS STEEL WIRE | |
| 3 | 1 | COUPRING NUT | BRASS | Ni PLATING |
| 2 | 1 | FRAME | BRASS | Ni PLATING |
| 1 | (1) | FERRULE | | NOT INCLUDING |
| NO (番号) | QTY (数量) | TITLE (名称) | MATERIAL (材料) | TREATMENT (処理) |

PARTS LIST (部品表)

| | | | |
|-----------------------|--------------------|---------------------|--|
| MATERIAL (材料) | PART NO. (型番) | SGP-N4 Series | |
| TREATMENT (処理) | | SGP-N488081JOG | |
| SCALE (尺度) | UNIT (単位) | DATE (日付) | TITLE (名称) |
| Free | 1=1mm | 2007/09/03 | FC HOUSING for Angled-PC (360 degree variable tuning for φ0.9mm buffered fiber) |
| APPROVED BY (承認) | CHECKED BY (検閲) | DESIGNED BY (設計) | DRAWN BY (製図) |
| Y. KAKUTANI | D. KUBO | M. JIBIKI | M. JIBIKI |
| SEIKOH GIKEN Co.,Ltd. | | | ITEM NO. (品目コード) |
| | | | SHEET NO. (枚数) |
| | | | DRAWING NO. (図番) |
| | | | S05-H031-D04E |
| | | | PAGE (ページ) |
| | | | |

| | | |
|--------------|-----------------------|--------------|
| △ | | |
| △ | | |
| △ | | |
| △ | ISSUED | 2007/09/03 |
| Rev. (履歴) | DESIGN CHANGE (変更) | DATE (日付) |