

SGP-N3S Series

FC HOUSING

for Angled-PC

- 360 degree variable tuning for short boot -

TECHNICAL SPECIFICATIONS



SEIKOH GIKEN Co.,Ltd.
Fiber Optic Products Division
296-1, MATSUHIDAI, MATSUDO-SHI,
CHIBA, 270-2214 JAPAN.
TEL: +81-47-388-6111 FAX: +81-47-388-4477

SGP-N3S Series FC HOUSING for Angled-PC – 360 degree variable tuning for short boot
–
TECHNICAL SPECIFICATIONS

S05-H035-01E	October	2006
S05-H035-02E	September	2007

Copyright © 2006 – 2007 by **SEIKOH GIKEN Co.,Ltd.**
All right reserved.

The information contained herein shall not be reproduced or disclosed to any third party without the express written consent of SEIKOH GIKEN Co., Ltd.
The specifications contained herein are subject to change without notice.

Please address any questions, comments and suggestions to:

SEIKOH GIKEN USA, Inc.
Headquarters

4405 International Blvd., Suite B109
Norcross, GA 30093 U.S.A.
TEL: +1-770-279-6602 FAX: +1-770-279-8839

Northeastern Field Office

714 Executive Drive
Princeton, NJ 08540
TEL: +1-609-279-0225 FAX: +1-609-279-0207

Western Field Office

21250 Hawthorne Boulevard, Suite 700
Torrance, CA 90503
TEL: +1-310-792-7450 FAX: +1-310-792-7451

SEIKOH GIKEN Europe GmbH
Frankfurt Branch

Siemensstrasse 9
D-63263 Neu-Isenburg, Germany
TEL: +49-6102-297-701
FAX: +49-6102-297-750

SEIKOH GIKEN Hong Kong Co.,Ltd.

Concordia Plaza 21/F Rm2111,
1 Science Museum Road, Tsim Sha Tsui East,
Kowloon, Hong Kong.
TEL: +852-26206551 FAX: +852-26206525

TABLE OF CONTENTS

Section	Page
1 SCOPE	1
2 PART NUMBER	1
3 GENERAL SPECIFICATIONS	2
3.1 Physical Dimensions	2
3.2 Appearance	2
4 FEATURE	2
4.1 Mechanical Characteristics	2
4.2 Environmental Characteristics	2
5 PACKING	3
6 IDENTIFICATION	3
7 HANDLING AND CARE	3
7.1 Conditions of Storage	3
7.2 Precautions of Use	3
7.3 Disposal	3
8 DRAWING	3

Table

Table 1	Part Number	1
Table 2	Mechanical Characteristics	2
Table 3	Environmental Characteristics	2

1 SCOPE

These specifications apply to the SGP-N3S series FC housing for Angled-PC – 360 degree variable tuning for short boot – supplied by SEIKOH GIKEN Co., Ltd.

2 PART NUMBER

Part number of the housing is shown in Table 1.

Table 1 Part Number

MODEL Number		TYPE Number																	
SGP-N3S		8	D	0	0	1	K	0	G										
<table border="1"> <tr><td colspan="2">Boot Color</td></tr> <tr><td>8</td><td>Green</td></tr> </table>		Boot Color		8	Green					<table border="1"> <tr><td colspan="2">Auxiliary digit</td></tr> <tr><td>0</td><td>G</td></tr> </table>		Auxiliary digit		0	G				
Boot Color																			
8	Green																		
Auxiliary digit																			
0	G																		
<table border="1"> <tr><td colspan="2">Boot I.D. [mm] , Marking</td></tr> <tr><td>D 0</td><td>for ø 2 cord with short boot (Flexible) No Marking</td></tr> </table>		Boot I.D. [mm] , Marking		D 0	for ø 2 cord with short boot (Flexible) No Marking					<table border="1"> <tr><td colspan="2">Specification</td></tr> <tr><td>K</td><td>Mold frame R-type - Narrow Key -</td></tr> <tr><td>J</td><td>Cutout frame R-type - Narrow Key -</td></tr> </table>		Specification		K	Mold frame R-type - Narrow Key -	J	Cutout frame R-type - Narrow Key -		
Boot I.D. [mm] , Marking																			
D 0	for ø 2 cord with short boot (Flexible) No Marking																		
Specification																			
K	Mold frame R-type - Narrow Key -																		
J	Cutout frame R-type - Narrow Key -																		
						<table border="1"> <tr><td colspan="2">Package</td></tr> <tr><td>1</td><td>Main body tentatively assembled, Bulk Package</td></tr> </table>		Package		1	Main body tentatively assembled, Bulk Package								
Package																			
1	Main body tentatively assembled, Bulk Package																		
						<table border="1"> <tr><td colspan="2">Cap</td></tr> <tr><td>0</td><td>No Cap</td></tr> <tr><td>8</td><td>Green Cap</td></tr> </table>		Cap		0	No Cap	8	Green Cap						
Cap																			
0	No Cap																		
8	Green Cap																		

Please contact us for other specifications.

3 GENERAL SPECIFICATIONS

3.1 Physical Dimensions

The product shall meet the specification in drawings.

- In accordance with IEC 61754-13 Type FC-PC connector family.
- In accordance with JIS C 5970 F01 Type connectors.

3.2 Appearance

There should be no burr, peeling of plating or scratches that affect the product.

4 FEATURE

4.1 Mechanical Characteristics

Mechanical characteristics are shown in table 2.

Table 2 Mechanical characteristics

Test item	Conditions		Appearance & function
Vibration	IEC 61300-2-1	Frequency: 10 to 55 Hz Amplitude: 1.5 mm p-p Direction: x, y, z axis Duration: 30 min / direction	There should be no deformation, crack, loose and other damages on the plug housing.
Tensile strength of coupling mechanism	IEC 61300-2-6	Tensile load: 147N(15kgf)	
Mating durability	IEC 61300-2-2	500 times	It can be joined without any mechanical abnormality.

4.2 Environmental Characteristics

Environmental characteristics are shown in table 3.

Table 3 Environmental characteristics

Test item	Conditions		Appearance & function
Change of temperature	IEC 61300-2-22	-40 to +85 °C, 10 cycles	There should be no deformation, crack, loose and other damages on the plug housing.
Dry heat	IEC 61300-2-18	+85 °C, 240 hr	
Cold	IEC 61300-2-17	-40 °C, 240 hr	
Humidity / condensation cycling	Telcordia GR-326-CORE	-10 to +65 °C, 90 to 100 %RH, 14 cycles	

5 PACKING

The product is packed to prevent damage during shipment.

6 IDENTIFICATION

Identification label should indicate the part number and lot number of the product(s) and should be permanently attached to the packing bag.

7 HANDLING AND CARE

7.1 Conditions of Storage

Keep the product, in the packing bag, at the following conditions for its storage.

- Storage temperature: -40 to +85 degrees C
- Storage humidity: 0 to 85%RH, non-condensing

7.2 Precautions for Use

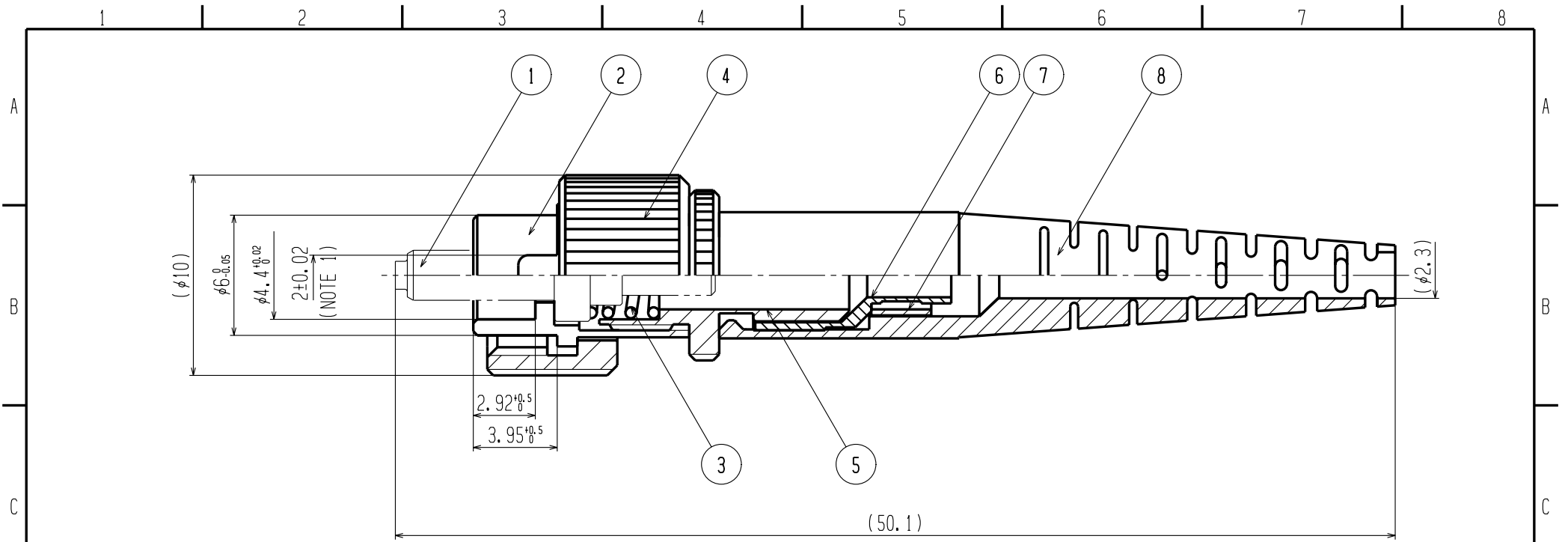
Contamination, oil, sweat and others debris on the ferrule end face may influence the performance of the product. If contamination is on the ferrule end face, wipe the end face with the end face cleaner.

7.3 Disposal

When discarding this product, please follow the regulations of your own country.

8 DRAWING

- S05-H035-D01E : SGP-N3S8D001K0G
- S05-H035-D02E : SGP-N3S8D001J0G
- S05-H035-D03E : SGP-N3S8D081K0G
- S05-H035-D04E : SGP-N3S8D081J0G



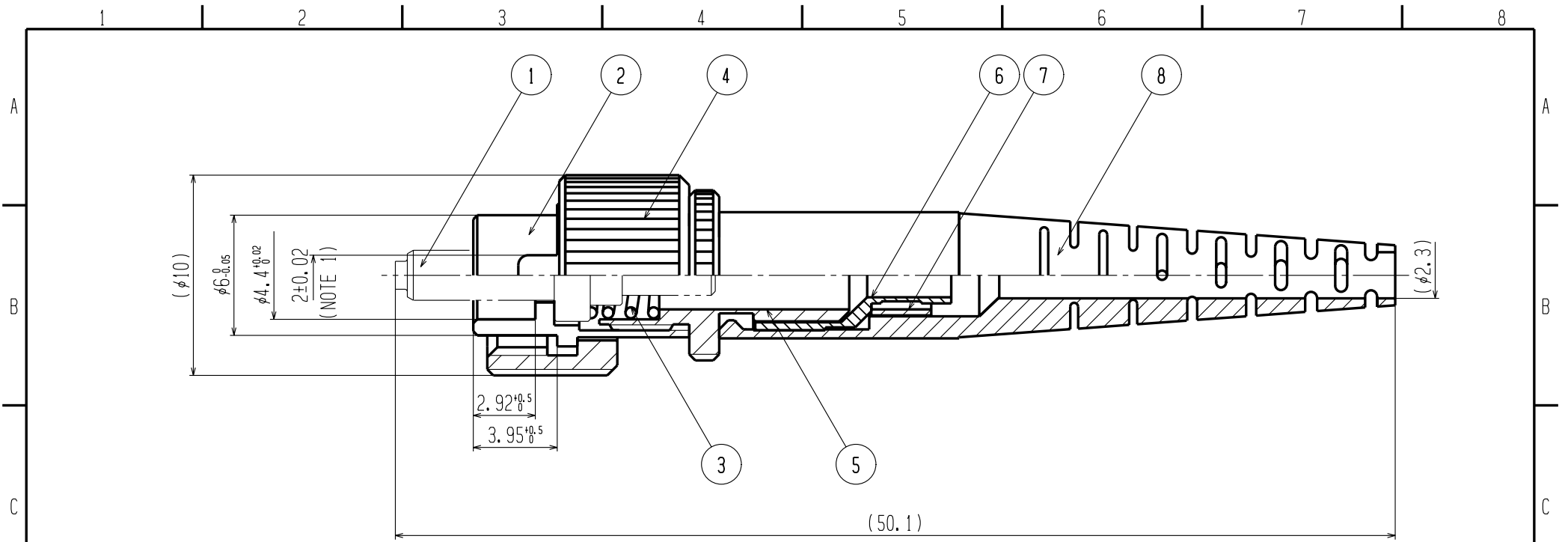
(NOTE 1) The key width is specified by the measurement at 1mm from the key base.

8	1	FLEXIBLE BOOT(GREEN)	TPEE	
7	1	RING	BRASS	Ni PLATING
6	1	CRIMP RING	ALUMINUM	
5	1	HOLDER	BRASS	Ni PLATING
4	1	COUPLING NUT	BRASS	Ni PLATING
3	1	COMPRESSION SPRING	STAINLESS STEEL WIRE	
2	1	FRAME	Zn DIECAST	Ni PLATING
1	(1)	FERRULE	-	NOT INCLUDING
NO (番号)	QTY (数量)	TITLE (名称)	MATERIAL (材料)	TREATMENT (処理)

PARTS LIST
(部品表)

MATERIAL (材料)	PART NO. (型番)	SGP-N3S Series	
TREATMENT (処理)		SGP-N3S8D001KOG	
SCALE (尺度)	UNIT (単位)	DATE (日付)	TITLE (名称)
Free	1=1mm	2007/06/15	FC HOUSING for Angled-PC (360 degree variable tuning for short boot)
APPROVED BY (承認)	CHECKED BY (検閲)	DESIGNED BY (設計)	DRAWN BY (製図)
Y. KAKUTANI	K. KURUMADA	M. JIBIKI	M. JIBIKI
SEIKOH GIKEN Co.,Ltd.			ITEM NO. (品目コード)
			SHEET NO. (枚数)
			DRAWING NO. (図番)
			S05-H035-D01E
			PAGE (ページ)

△		
△		
△	P/N CHANGE	2007/06/15
△	ISSUED	2006/10/20
Rev. (図歴)	DESIGN CHANGE (設計変更)	DATE (日付)



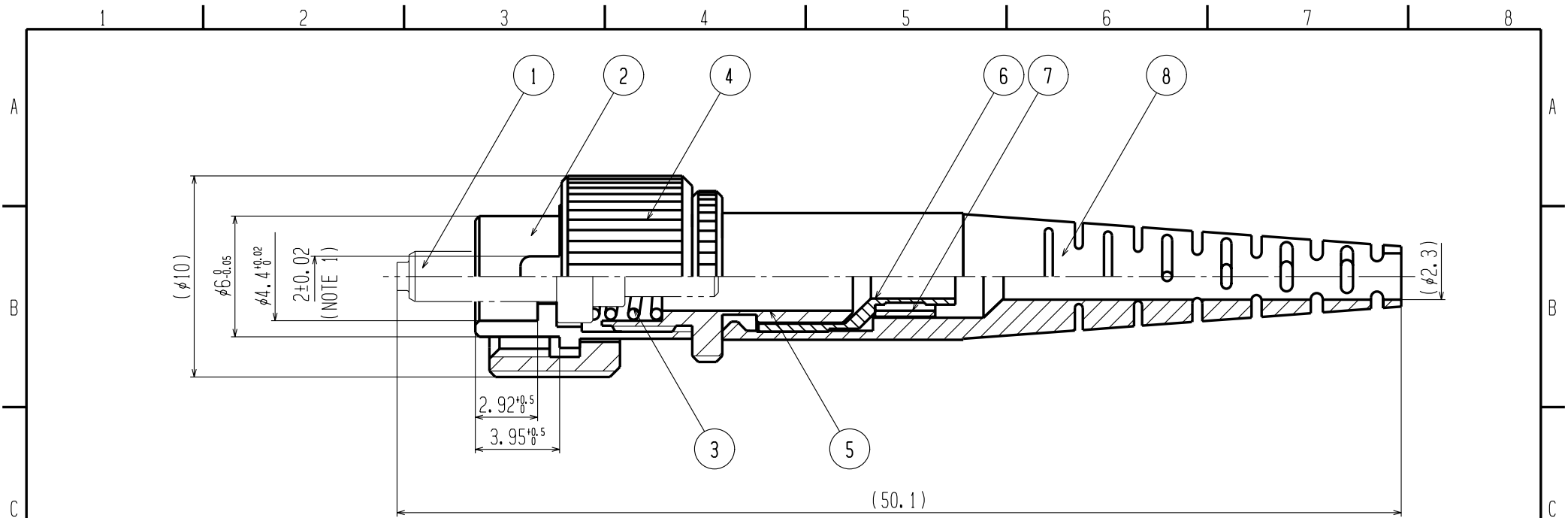
(NOTE 1) The key width is specified by the measurement at 1mm from the key base.

8	1	FLEXIBLE BOOT(GREEN)	TPEE	
7	1	RING	BRASS	Ni PLATING
6	1	CRIMP RING	ALUMINUM	
5	1	HOLDER	BRASS	Ni PLATING
4	1	COUPLING NUT	BRASS	Ni PLATING
3	1	COMPRESSION SPRING	STAINLESS STEEL WIRE	
2	1	FRAME	BRASS	Ni PLATING
1	(1)	FERRULE	-	NOT INCLUDING
NO (番号)	QTY (数量)	TITLE (名称)	MATERIAL (材料)	TREATMENT (処理)

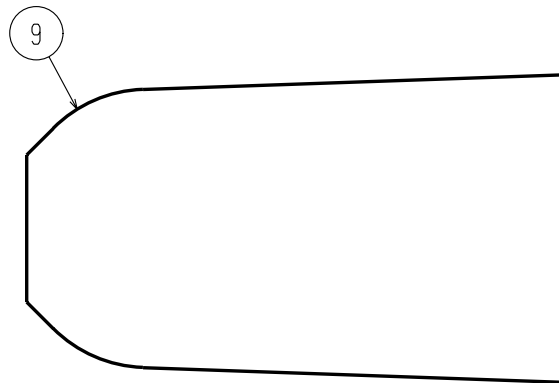
PARTS LIST
(部品表)

MATERIAL (材料)	PART NO. (型番)	SGP-N3S Series	
TREATMENT (処理)	SGP-N3S8D001JOG		
SCALE (尺度)	UNIT (単位)	DATE (日付)	TITLE (名称)
Free	1=1mm	2007/06/15	FC HOUSING for Angled-PC (360 degree variable tuning for short boot)
APPROVED BY (承認)	CHECKED BY (検閲)	DESIGNED BY (設計)	DRAWN BY (製図)
Y. KAKUTANI	K. KURUMADA	M. JIBIKI	M. JIBIKI
SEIKOH GIKEN Co.,Ltd.			ITEM NO. (品目コード)
			SHEET NO. (枚数)
DRAWING NO. (図番)			PAGE (ページ)
S05-H035-D02E			

△		
△		
△	P/N CHANGE	2007/06/15
△	ISSUED	2006/10/20
Rev. (図歴)	DESIGN CHANGE (設計変更)	DATE (日付)



(NOTE 1) The key width is specified by the measurement at 1mm from the key base.

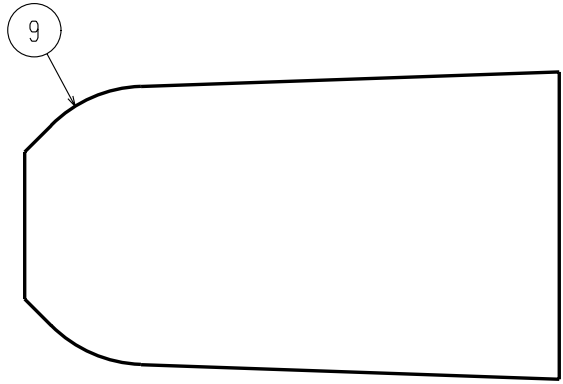
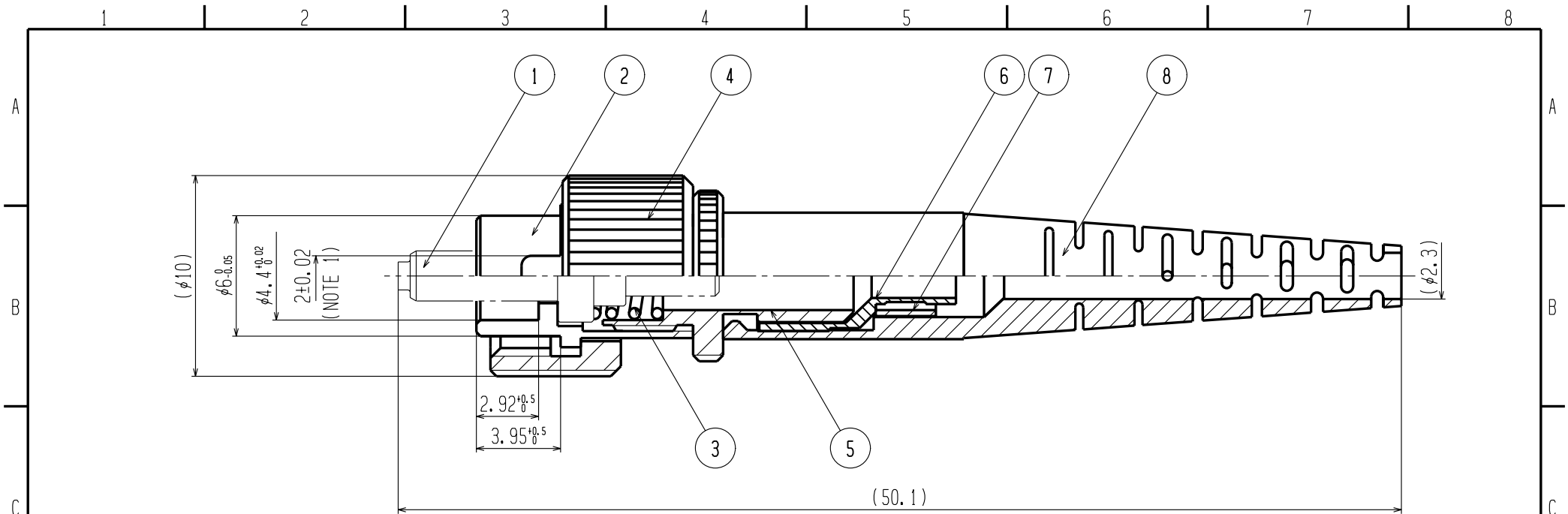


9	1	CAP(GREEN)	PVC	
8	1	FLEXIBLE BOOT(GREEN)	TPEE	
7	1	RING	BRASS	Ni PLATING
6	1	CRIMP RING	ALUMINUM	
5	1	HOLDER	BRASS	Ni PLATING
4	1	COUPLING NUT	BRASS	Ni PLATING
3	1	COMPRESSION SPRING	STAINLESS STEEL WIRE	
2	1	FRAME	Zn DIECAST	Ni PLATING
1	(1)	FERRULE	-	NOT INCLUDING
NO (番号)	QTY (数量)	TITLE (名称)	MATERIAL (材料)	TREATMENT (処理)

PARTS LIST
(部品表)

MATERIAL (材料)	PART NO. (型番)	SGP-N3S Series	
TREATMENT (処理)	SGP-N3S8D081K0G		
SCALE (尺度)	UNIT (単位)	DATE (日付)	TITLE (名称)
Free	1=1mm	2007/09/03	FC HOUSING for Angled-PC (360 degree variable tuning for short boot)
APPROVED BY (承認)	CHECKED BY (検閲)	DESIGNED BY (設計)	DRAWN BY (製図)
Y. KAKUTANI	D. KUBO	M. JIBIKI	M. JIBIKI
SEIKOH GIKEN Co.,Ltd.			ITEM NO. (品目コード)
			SHEET NO. (枚数)
			PAGE (ページ)
			DRAWING NO. (図番)
			S05-H035-D03E

△		
△		
△		
△	ISSUED	2007/09/03
Rev. (図歴)	DESIGN CHANGE (設計変更)	DATE (日付)



(NOTE 1) The key width is specified by the measurement at 1mm from the key base.

9	1	CAP(GREEN)	PVC	
8	1	FLEXIBLE BOOT(GREEN)	TPEE	
7	1	RING	BRASS	Ni PLATING
6	1	CRIMP RING	ALUMINUM	
5	1	HOLDER	BRASS	Ni PLATING
4	1	COUPLING NUT	BRASS	Ni PLATING
3	1	COMPRESSION SPRING	STAINLESS STEEL WIRE	
2	1	FRAME	BRASS	Ni PLATING
1	(1)	FERRULE	-	NOT INCLUDING
NO (番号)	QTY (数量)	TITLE (名称)	MATERIAL (材料)	TREATMENT (処理)

PARTS LIST
(部品表)

MATERIAL (材料)	PART NO. (型番)	SGP-N3S Series	
TREATMENT (処理)		SGP-N3S8D081JOG	
SCALE (尺度)	UNIT (単位)	DATE (日付)	TITLE (名称)
Free	1=1mm	2007/09/03	FC HOUSING for Angled-PC (360 degree variable tuning for short boot)
APPROVED BY (承認)	CHECKED BY (検閲)	DESIGNED BY (設計)	DRAWN BY (製図)
Y. KAKUTANI	D. KUBO	M. JIBIKI	M. JIBIKI
SEIKOH GIKEN Co.,Ltd.			SHEET NO. (枚数)
DRAWING NO. (図番)			PAGE (ページ)
S05-H035-D04E			

△		
△		
△		
△	ISSUED	2007/09/03
Rev. (回 数)	DESIGN CHANGE (変更 記事)	DATE (日付)