

SNP-5 Series

FC HOUSING

- for Angled-PC, \varnothing 0.9 mm buffered fiber -

TECHNICAL SPECIFICATIONS



SEIKOH GIKEN Co.,Ltd.

296-1, MATSUHIDAI, MATSUDO-SHI,
CHIBA, 270-2214 JAPAN

TEL: +81-47-388-6111 FAX: +81-47-388-4477

**SNP-5 Series FC HOUSING - for Angled-PC, \varnothing 0.9 mm buffered fiber -
TECHNICAL SPECIFICATIONS**

NCD-69B4-01	September	1996
NCD-69B4-02	March	1998
NCD-69B4-03	May	1998
NCD-69B4-04	April	2000
NCD-69B4-05	May	2002
S05-H023-01E	July	2006
S05-H023-02E	March	2018

Copyright © 1996 - 2018 by **SEIKOH GIKEN Co.,Ltd.**
All right reserved.

The information contained herein shall not be reproduced or disclosed to any third party without the express written consent of SEIKOH GIKEN Co., Ltd. The specifications and materials contained herein are subject to change without notice.

Please address any questions, comments, and suggestions to:

SEIKOH GIKEN USA, Inc.

4405 International Blvd., Suite B109
Norcross, GA 30093 U.S.A.
TEL: +1-770-279-6602
FAX: +1-770-279-8839

SEIKOH GIKEN Europe GmbH

Siemensstrasse 9
D-63263 Neu-Isenburg, Germany
TEL: +49-6102-297-701
FAX: +49-6102-297-750

SEIKOH GIKEN Hangzhou Co.,Ltd.

526 Binkang Road Binjiang District, Hangzhou,
Zhejiang, China 310052, P.R. China
TEL: +86-571-8777-4098
FAX: +86-571-8777-4099

TABLE OF CONTENTS

Section	Page
1 SCOPE	1
2 PART NUMBER	1
3 GENERAL SPECIFICATIONS.....	2
3.1 Parts and Materials	2
3.2 Physical Dimensions	2
3.3 General Tolerances	2
3.4 Appearance.....	3
4 PACKING	3
5 IDENTIFICATION	3
6 HANDLING AND CARE	3
6.1 Conditions of Storage	3
6.2 Precautions for Use	3
6.3 Disposal	3

Table

Table 1 Part Number	1
Table 2 Parts and Materials	2
Table 3 General Tolerance (ISO 2768-m).....	2

Figure

Figure 1 SNP-5 Series Housing (Wide key)	4
Figure 2 SNP-5 Series Housing (Narrow key).....	5
Figure 3 to 9 Dimensions of Parts	6 to 8

BLANK PAGE

1 SCOPE

These specifications apply to the SNP-5 series FC housing - for Angled-PC, \varnothing 0.9 mm buffered fiber -supplied by SEIKOH GIKEN Co., Ltd.

2 PART NUMBER

Part number of the housing is shown in Table 1.

Table 1 Part Number

MODEL Number		TYPE Number							
SNP-5		8	8	0	B	1	D	1	G
		Boot Color						Auxiliary digit	
		8	Green					1 G	
		Boot I.D. [mm] , Marking					Specification		
		8 0	for \varnothing 0.9 buffered fiber (flame retardant), No marking				D	Wide key (N type)	
						K	Narrow key (R type)		
							Package		
							0	Bulk package	
							1	Main body tentatively assembled, Bulk package	
		Cap							
		3	White plastic cap						
		B	Green ferrule cap						

Please contact us for availability of other specifications.

3 GENERAL SPECIFICATIONS

3.1 Parts and Materials

Parts and the materials are shown in Table 2.

Table 2 Parts and Materials

Item	Part Name	Qty	Material	Notes
①-1	Frame	1	Zinc die-casting	Wide key, Nickel plating
①-2				Narrow key, Nickel plating
②	Spring	1	Stainless steel	-
③	Coupling nut	1	Brass	Nickel plating
④	Stopper	1	-	Assembly of ④-a, ④-b, ④-c
	⑤-a Stopper body	(1)	Brass	Nickel plating
	⑤-b Spacer	(1)	Brass	Nickel plating
	⑤-c Boot	(1)	Silicone	Flammability UL94 V-0
⑤-1	Cap	1	PP	Ferrule cap, Green
⑤-2			PE	Plastic cap, White

Note: Item on Table 2 complies with the item reference number on the accompanying drawings.

3.2 Physical Dimensions

Figure 1 and 2 show the SNP-5 series housing tentatively assembled.
Figure 3 to 9 show the dimensions of the parts.

3.3 General Tolerances

Permissible deviation in dimensions without tolerance indication is in accordance with ISO 2768-m (JIS B 0405-m), as shown in Table 3.

Table 3 General Tolerance (ISO 2768-m)

Basic size step [mm]		Permissible deviation [mm]
Over	Under	
0.5	3	±0.1
3	6	±0.1
6	30	±0.2
30	120	±0.3

3.4 Appearance

There should be no burr, peeling of plating or scratches that affect the product.

4 PACKING

The product is packed to prevent damage during shipment.

5 IDENTIFICATION

Identification label should indicate the part number and the lot number of the product(s) and should be permanently attached to the packing bag.

6 HANDLING AND CARE

6.1 Conditions of Storage

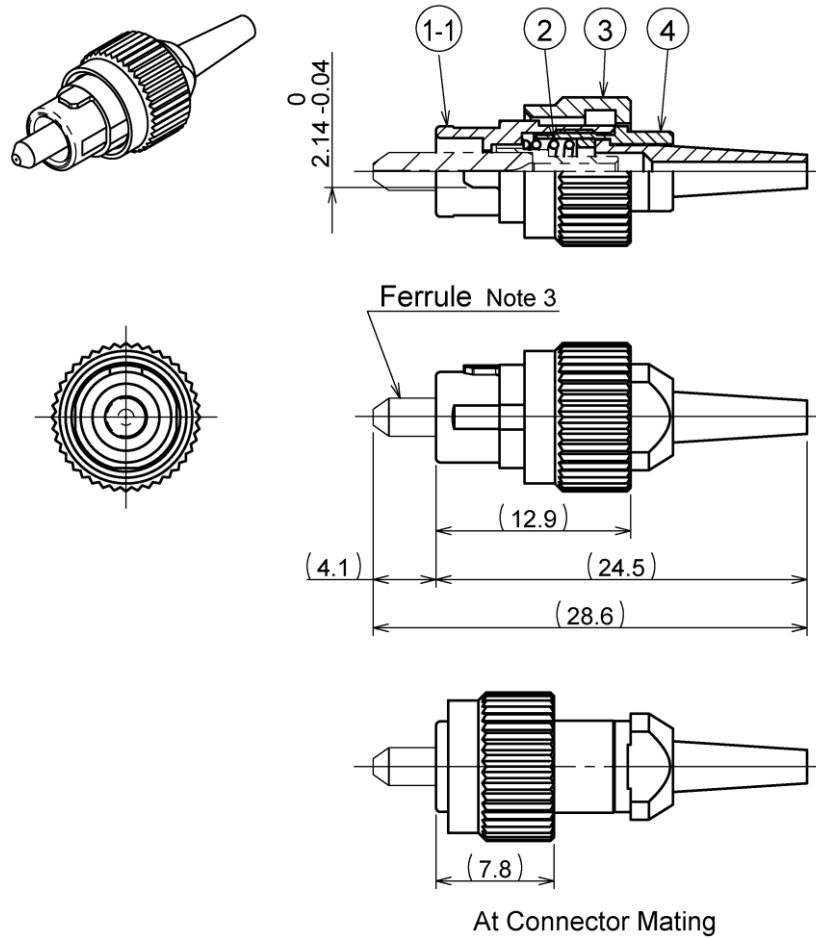
For storage of the product, keep in the packing bag and keep away from corrosive gas, high-temperature and humidity, extreme-low temperature and direct sunlight.

6.2 Precautions for Use

Contamination, oil, sweat and others debris on the ferrule end face may influence the performance of the product. If contamination is on the ferrule end face, wipe the end face with the end face cleaner.

6.3 Disposal

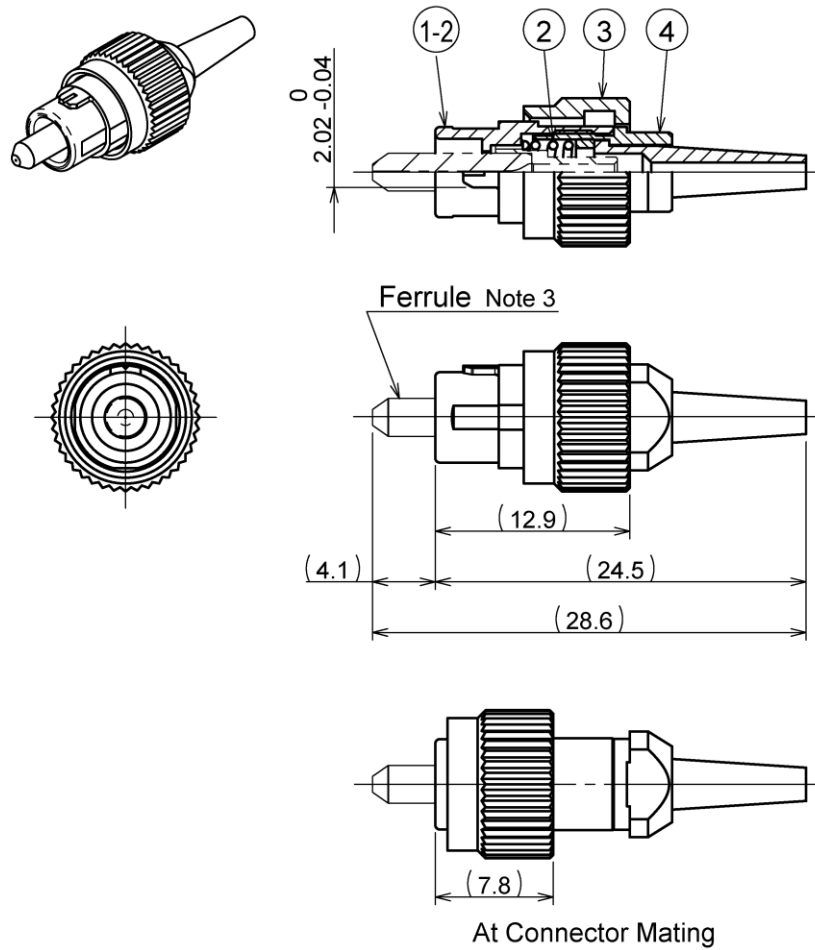
When discarding this product, please follow the regulations of your own country.



- Notes: 1 This drawing shows the tentatively assembled condition including a ferrule.
 2 This drawing does not include the cap.
 3 The ferrule is not included in SNP-5 housing.

Unit: mm

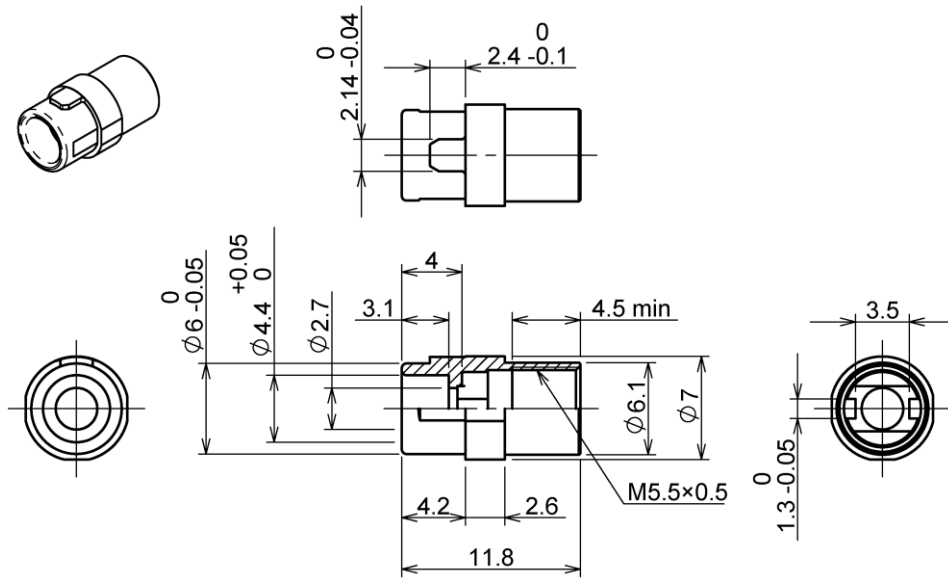
Figure 1 SNP-5 Series Housing (Wide key)



- Notes: 1 This drawing shows the tentatively assembled condition including a ferrule.
 2 This drawing does not include the cap.
 3 The ferrule is not included in SNP-5 housing.

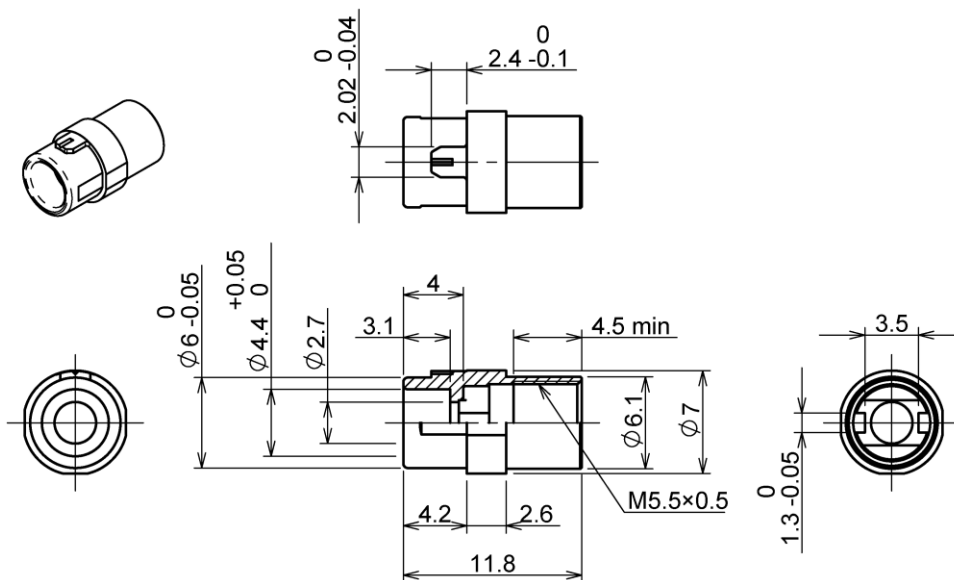
Unit: mm

Figure 2 SNP-5 Series Housing (Narrow key)



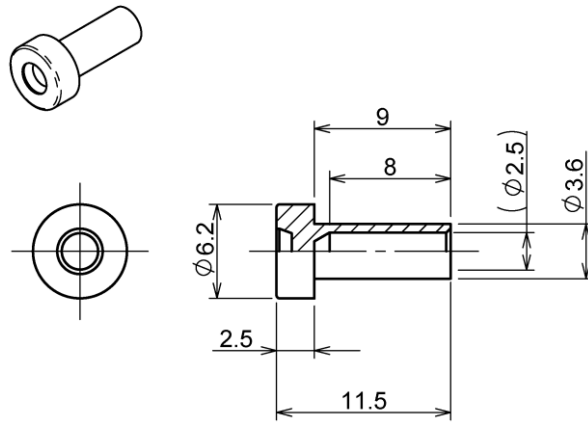
Unit: mm

Figure 3 ①-1 Frame (Wide key)



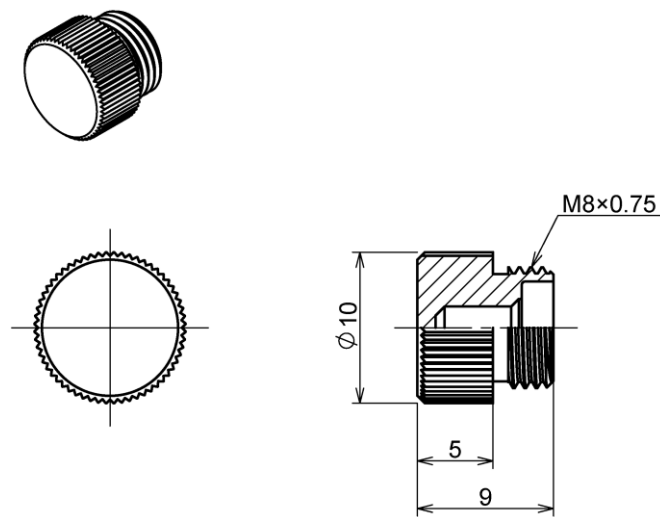
Unit: mm

Figure 4 ①-2 Frame (Narrow key)



Unit: mm

Figure 8 ⑤-1 Cap (Ferrule cap)



Unit: mm

Figure 9 ⑤-2 Cap (Plastic cap)