

SNP-8 Series

Single mode

FC CONNECTOR PLUG

- for Angled-PC, Conical Shape -

TECHNICAL SPECIFICATIONS



SEIKOH GIKEN Co.,Ltd.

Fiber Optic Products Division

296-1, MATSUHIDAI, MATSUDO-SHI,
CHIBA, 270-2214 JAPAN.

TEL: +81-47-388-6111 FAX: +81-47-388-4477

SNP-8 Series FC CONNECTOR PLUG - for Angled-PC, Conical Shape -
TECHNICAL SPECIFICATIONS

NCD-69B6-01	September	1996
NCD-69B6-02	May	1998
NCD-69B6-03	July	1999
NCD-69B6-04	April	2000
S05-H036-01E	July	2006
S05-H036-02E	February	2009

Copyright © 1996 - 2009 by **SEIKOH GIKEN Co.,Ltd.**
All right reserved.

The information contained herein shall not be reproduced or disclosed to any third party without the express written consent of SEIKOH GIKEN Co., Ltd.
The Specifications contained herein are subject to change without notice.

Please address any questions, comments, and suggestions to:

SEIKOH GIKEN USA, Inc.

Headquarters

4405 International Blvd., Suite B109
Norcross, GA 30093 U.S.A.
TEL: +1-770-279-6602 FAX: +1-770-279-8839

Western Field Office

21250 Hawthorne Boulevard, Suite 700
Torrance, CA 90503
TEL: +1-310-792-7450 FAX: +1-310-792-7451

SEIKOH GIKEN Europe GmbH

Siemensstrasse 9
D-63263 Neu-Isenburg, Germany
TEL: +49-6102-297-701
FAX: +49-6102-297-750

SEIKOH GIKEN Hong Kong Co.,Ltd.

Concordia Plaza 21/F Rm2111,
1 Science Museum Road, Tsim Sha Tsui East,
Kowloon, Hong Kong.
TEL: +852-26206551 FAX: +852-26206525

TABLE OF CONTENTS

Section		Page
1	SCOPE	1
2	PART NUMBER	1
3	GENERAL SPECIFICATIONS	2
	3.1 Parts and Materials	2
	3.2 Physical Dimensions	3
	3.3 General Tolerance	3
	3.4 Appearance	3
4	PACKING	4
5	IDENTIFICATION	4
6	HANDLING AND CARE	4
	6.1 Conditions of Storage	4
	6.2 Precautions of Use	4
	6.3 Disposal	4

Table

Table 1	Part Number	1
Table 2	Parts and Materials	2
Table 3	Parts and Materials of Main Body	2
Table 4	Physical Specifications	3
Table 5	General Tolerance	3

Figure

Figure 1	SNP-8 Series Connector Plug (N-type - Wide Key -)	5
Figure 2	SNP-8 Series Connector Plug (R-type - Narrow Key -)	6
Figure 3	Main Body (N-type - Wide Key -)	7
Figure 4	Main Body (R-type - Narrow Key -)	8
Figure 5 to 13	Dimensions of Parts	9 to 13

1. SCOPE

These specifications apply to the SNP-8 series FC connector plug - for angled-PC, conical shape - supplied by SEIKOH GIKEN Co., Ltd.

2. PART NUMBER

Part number of the housing is shown in Table 1.


Table 1 Part Number

MODEL Number		TYPE Number										
SNP-8		8	7	1	2	5	1	B	3	D	1	G

Boot Color	
0	No Boot
8	Green

Boot I.D. [mm]	
0	No Boot
1	for \varnothing 0.9 buffered fiber (Rubber)
6	for \varnothing 2 cord (Plastic)
7	for \varnothing 3 cord (Plastic)
9	for \varnothing 0.9 buffered fiber (Plastic)

Ferrule I.D. [μ m]	
1 2 5	\varnothing 125
1 2 6	\varnothing 126

Marking of Boot		
		Applicable Boot I.D. [mm]
0	No Marking	No Boot for \varnothing 0.9 buffered fiber (Rubber)
1	 SG	for \varnothing 0.9 buffered fiber (Plastic) for \varnothing 2 to 3 cord (Plastic)

Auxiliary digit	
1	G

Specification	
D	N-type - Wide Key -
K	R-type - Narrow Key -

Package	
3	Bulk Package

Cap	
0	No Cap
3	White Plastic Cap
8	Green PVC Cap
B	Green Ferrule Cap

3 GENERAL SPECIFICATIONS

3.1 Parts and Materials

Parts and materials are shown in Table 2.

Table 2 Parts and Materials

Item	Part Name	Qty	Material	Notes
①-1	Main Body	1	See Table 3	N-type - Wide Key - See Table 3
①-2			See Table 3	R-type - Narrow Key - See Table 3
②-1	Crimping Ring	1	Aluminum Alloy	for ø 3 mm cord
②-2				for ø 2 mm cord
③-1	Boot	1	TPEE	for ø 3 mm cord Green, Flammability UL94 V-0
③-2				for ø 2 mm cord Green, Flammability UL94 V-0
③-3				for ø 0.9 mm buffered fiber Green, Flammability UL94 V-0
③-4			Silicone	for ø 0.9 mm buffered fiber, Rubber Boot Green, Flammability UL94 V-0
④-1	Cap	1	PP	Ferrule Cap, Green
④-2			PVC	PVC Cap, Green
④-3			PE	Plastic Cap, White

Notes: 1 Item on Table 2 corresponds to the item reference number on Figure 1 to 13.

2 ② Crimping Ring is not included for ø 0.9 mm buffered fiber type.

Table 3 Parts and Materials of Mainbody

Item	Part Name	Qty	Material	Notes
⑤	Capillary	1	Zirconia	Conical shape
⑥	Flange	1	Brass	Nickel Plating
⑦-1	Frame	1	Zinc Die-casting	N-type, Nickel Plating
⑦-2				R-type, Nickel Plating
⑧	Spring	1	Stainless Steel	-
⑨	Coupling Nut	1	Brass	Nickel Plating
⑩	Stopper	1	Brass	Nickel Plating

Note: Item on Table 3 corresponds to the item reference number on Figure 3 to 4.

3.2 Physical Dimensions

Figure 1 to 2 show the SNP-8 series connector plugs.

Figure 3 to 4 show the Main Body.

Figure 5 to 13 show the dimensions of the parts.

Table 4 Physical Specifications

Items	Parts Number	Specifications	Remarks
Diameter (ø d)	SNP-8 **125****1G	ø 0.125 mm	-
	SNP-8 **126****1G	ø 0.126 mm	-

3.3 General Tolerances

Permissible deviation in dimensions without tolerance indication is in accordance with ISO 2768-m (JIS B 0405-m), as shown in Table 5.

Table 5 General Tolerance (ISO 2768-m)

Basic size step [mm]		Permissible deviation [mm]
Over	Under	
0.5	3	±0.1
3	6	±0.1
6	30	±0.2
30	120	±0.3

3.4 Appearance

There should be no burr, peeling of plating or scratches that affect the product.

4 PACKING

The product is packed to prevent damage during shipment.

5 IDENTIFICATION

Identification label should indicate the part number and the lot number of the product(s) and should be permanently attached to the packing bag.

6 HANDLING AND CARE

6.1 Conditions of Storage

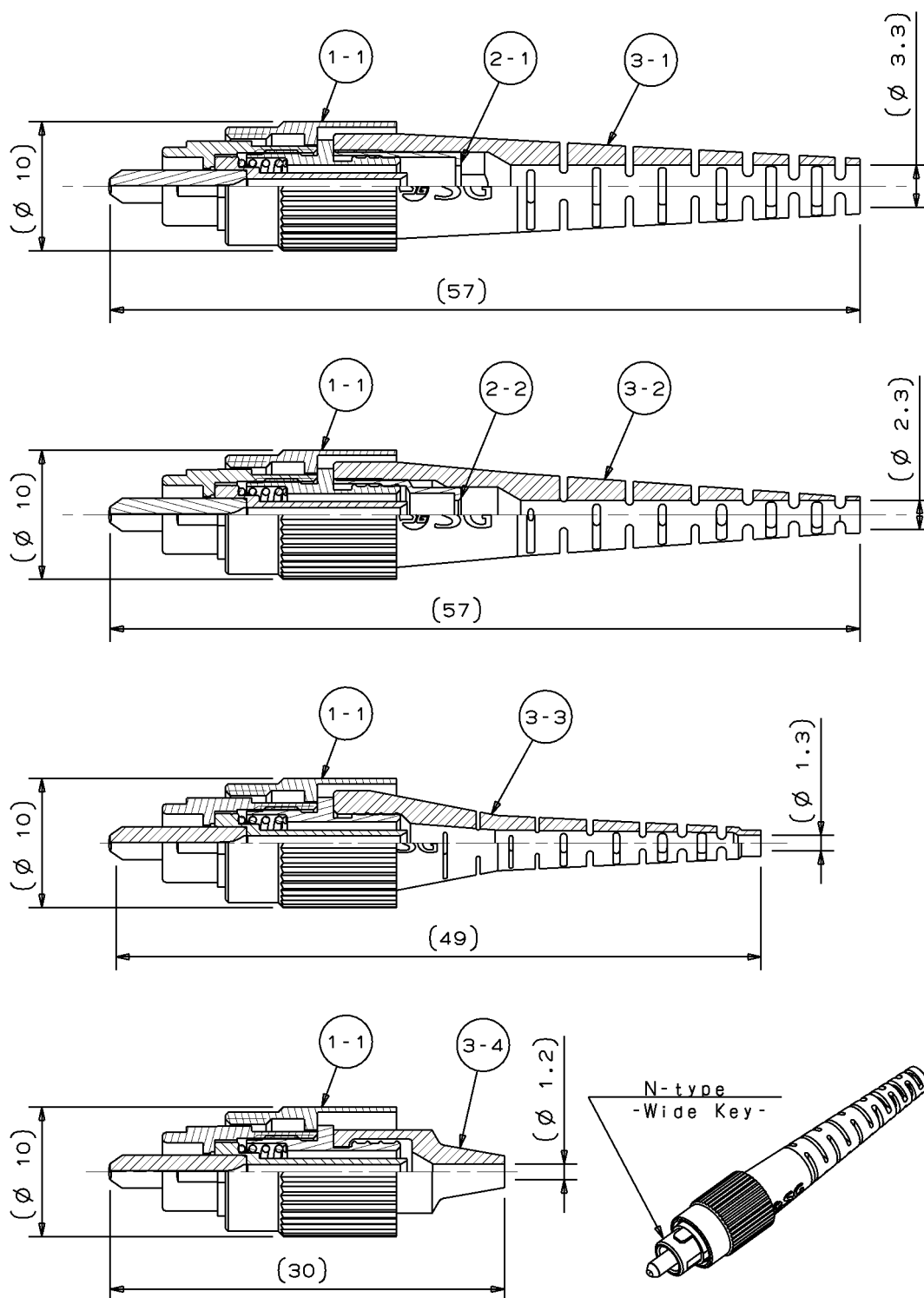
For storage of the product, keep in the packing bag and keep away from corrosive gas, high-temperature and humidity, extreme-low temperature and direct sunlight.

6.2 Precautions for Use

Contamination, oil, sweat and others debris on the ferrule end face may influence the performance of the product. If contamination is on the ferrule end face, wipe the end face with the end face cleaner.

6.3 Disposal

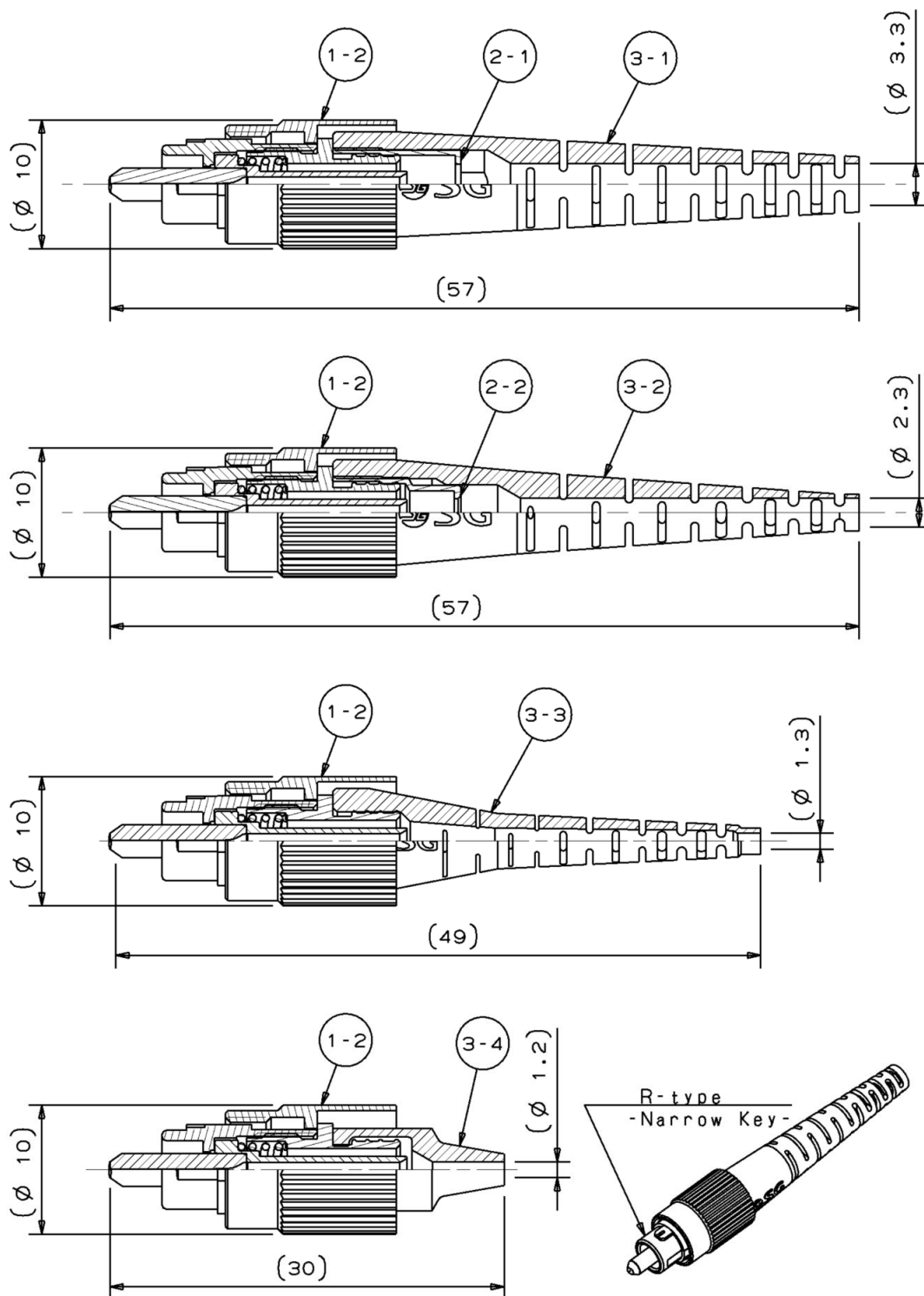
When discarding this product, please follow the regulations of your own country.



- Notes 1 This drawing shows the tentatively assembled condition.
 On practical shipment of SNP-8 connector plug, this tentative assembly is not available.
- 2 This drawing does not include the cap.

Unit: mm

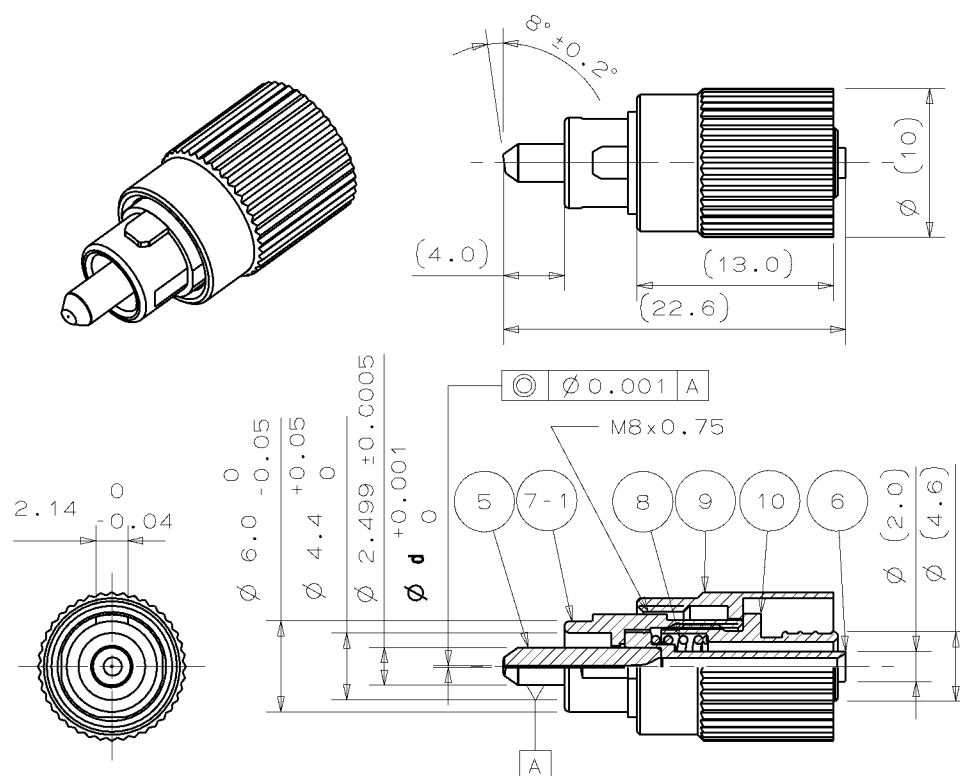
Figure 1 SNP-8 Series Connector Plug (N-type - Wide Key -)



- Notes 1 This drawing shows the tentatively assembled condition.
 On practical shipment of SNP-8 connector plug, this tentative assembly is not available.
- 2 This drawing does not include the cap.

Unit: mm

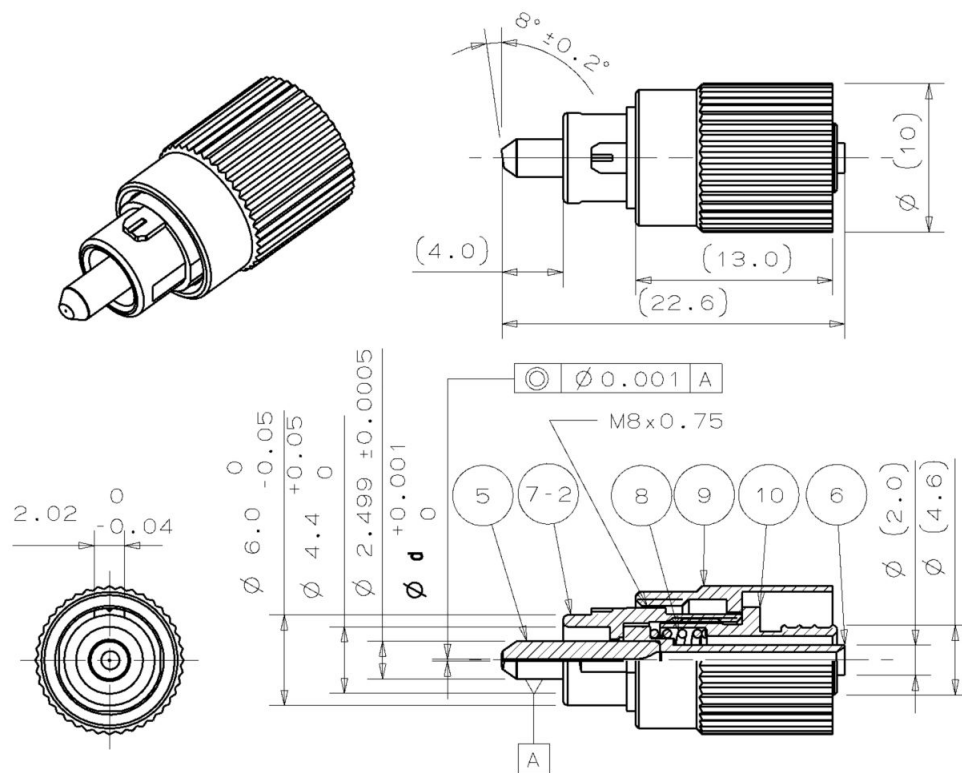
Figure 2 SNP-8 Series Connector Plug (R-type - Narrow Key -)



Note: Diameter ($\varnothing d$) differs according to the part number shown in Table 4.

Unit: mm

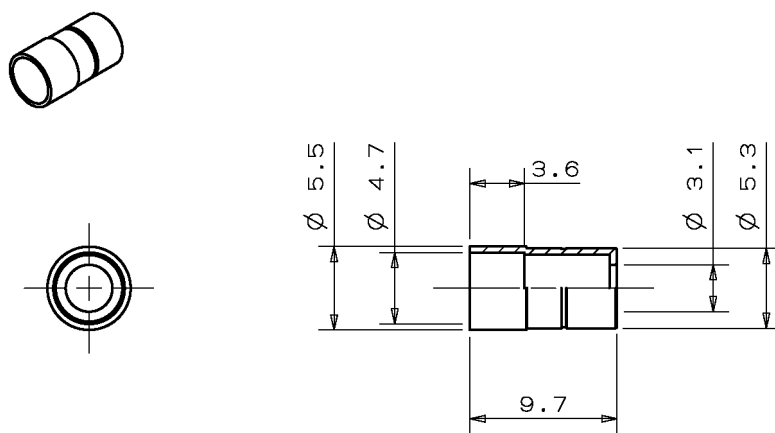
Figure 3 ①-1 Main Body (N-type - Wide Key -)



Note: Diameter (ϕ d) differs according to the part number shown in Table 4.

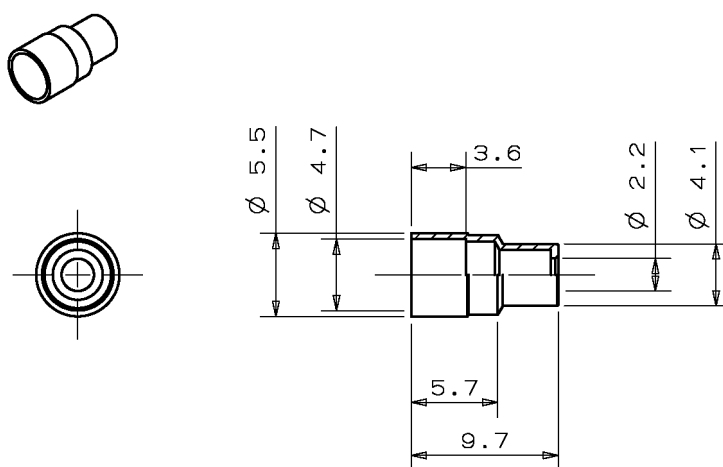
Unit: mm

Figure 4 ①-2 Main Body (R-type - Narrow Key -)



Unit: mm

Figure 5 ②-1 Crimping Ring (for $\varnothing 3$ mm cord)



Unit: mm

Figure 6 ②-2 Crimping Ring (for $\varnothing 2$ mm cord)

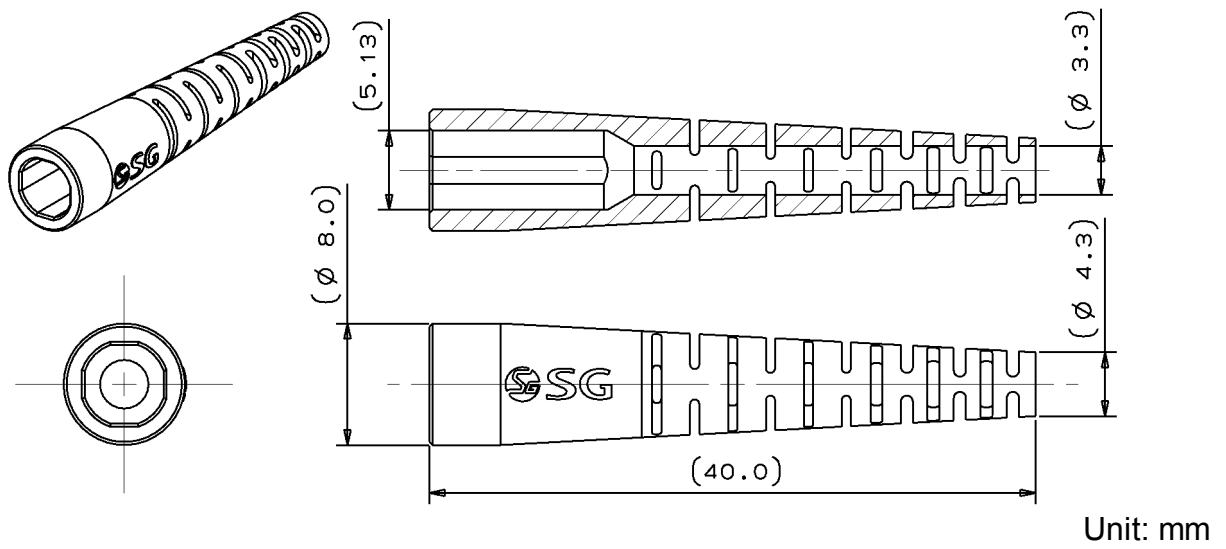


Figure 7 ③-1 Boot (for ø 3 mm cord)

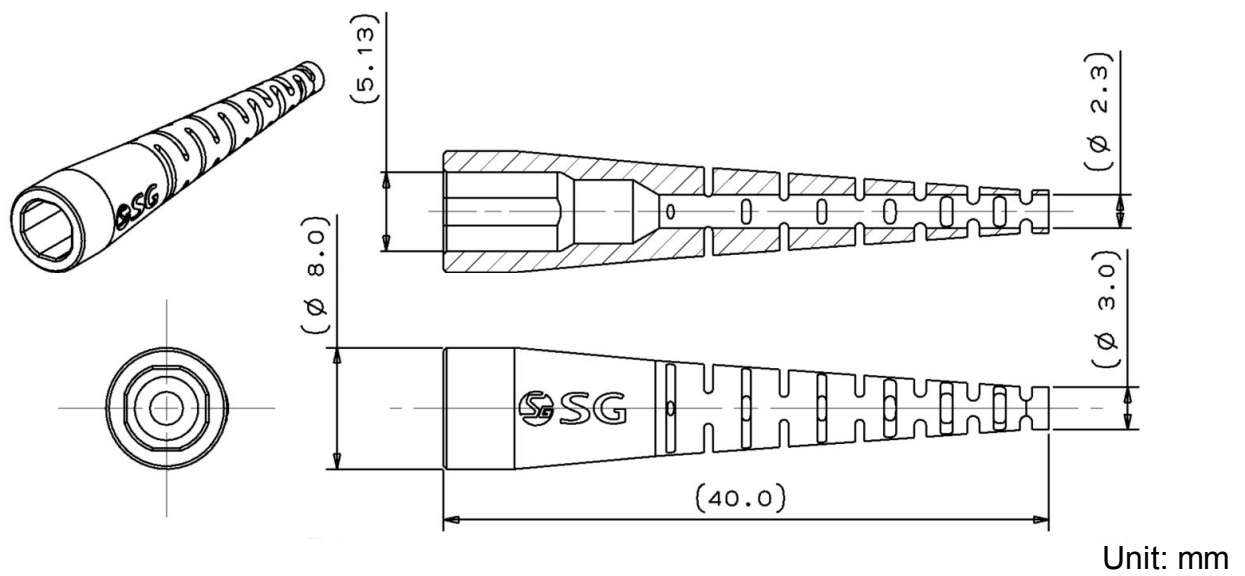
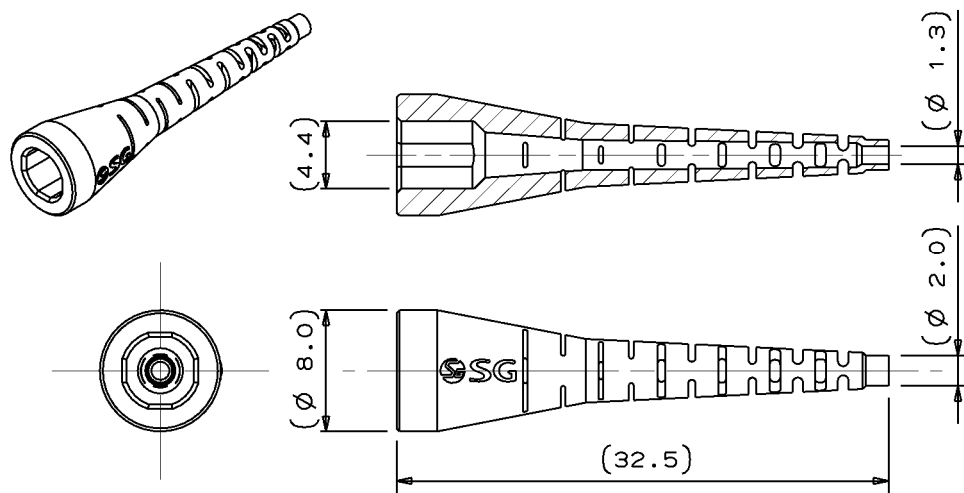
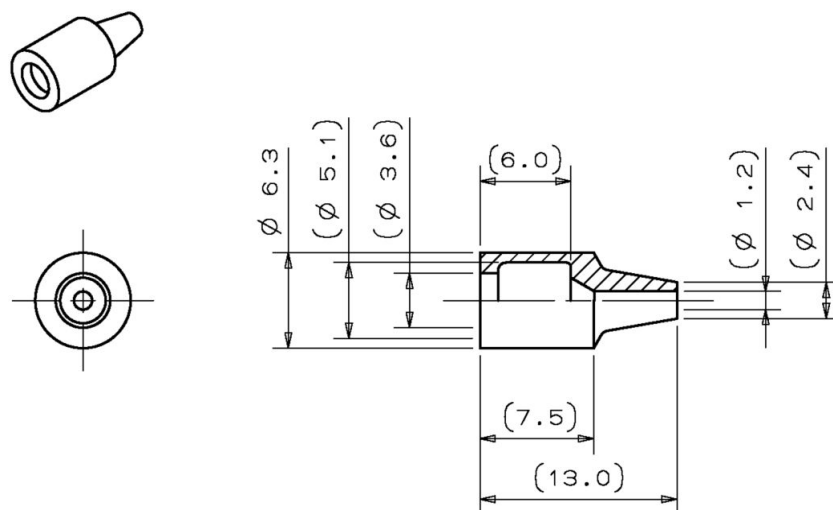


Figure 8 ③-2 Boot (for ø 2 mm cord)



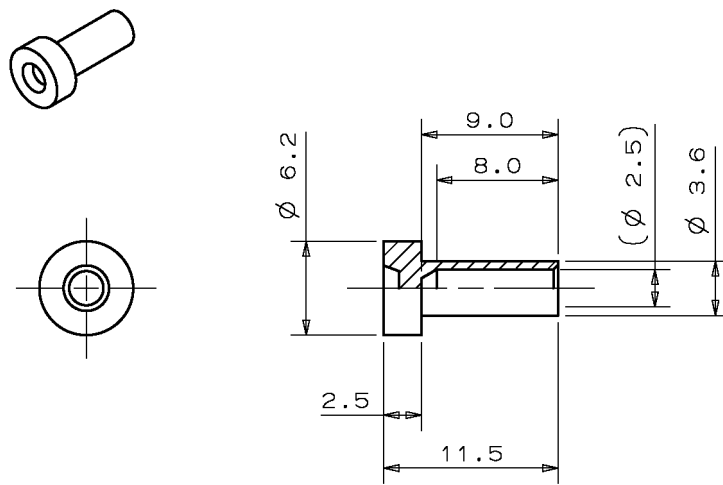
Unit: mm

Figure 9 ③-3 Boot (for ø 0.9 mm buffered fiber)



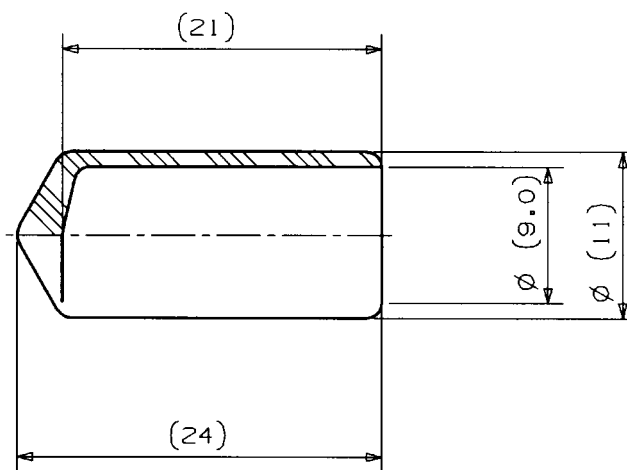
Unit: mm

Figure 10 ③-4 Boot (for ø 0.9 mm buffered fiber, Rubber Boot)



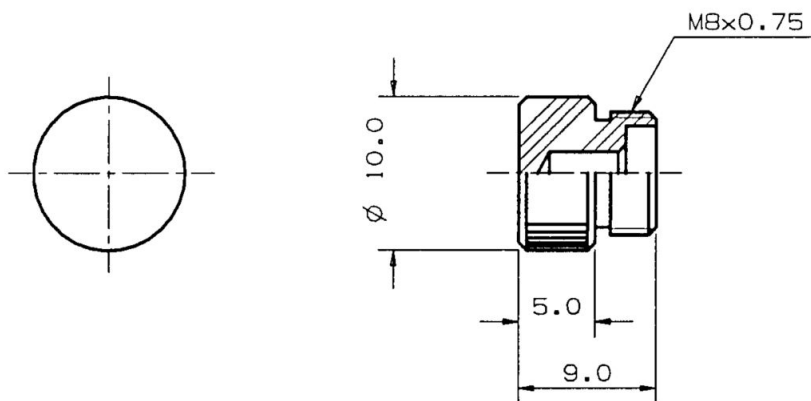
Unit: mm

Figure 11 ④-1 Cap (Ferrule Cap)



Unit: mm

Figure 12 ④-2 Cap (PVC Cap)



Unit: mm

Figure 13 ④-3 Cap (Plastic Cap)