

SGP-8 Series
Single mode
FC CONNECTOR PLUG
- for Angled-PC, Step Shape -
TECHNICAL SPECIFICATIONS



SEIKOH GIKEN Co.,Ltd.
Fiber Optic Products Division
296-1, MATSUHIDAI, MATSUDO-SHI,
CHIBA, 270-2214 JAPAN.
TEL: +81-47-388-6111 FAX: +81-47-388-4477

SNP-8 Series FC CONNECTOR PLUG - for Angled-PC, Step Shape -
TECHNICAL SPECIFICATIONS

S05-H037-01E October 2006
S05-H037-02E February 2009

Copyright © 2006 - 2009 by **SEIKOH GIKEN Co.,Ltd.**
All right reserved.

The information contained herein shall not be reproduced or disclosed to any third party without the express written consent of SEIKOH GIKEN Co., Ltd.
The Specifications contained herein are subject to change without notice.

Please address any questions, comments, and suggestions to:

SEIKOH GIKEN USA, Inc.

Headquarters

4405 International Blvd., Suite B109
Norcross, GA 30093 U.S.A.
TEL: +1-770-279-6602 FAX: +1-770-279-8839

Western Field Office

21250 Hawthorne Boulevard, Suite 700
Torrance, CA 90503
TEL: +1-310-792-7450 FAX: +1-310-792-7451

SEIKOH GIKEN Europe GmbH

Siemensstrasse 9
D-63263 Neu-Isenburg, Germany
TEL: +49-6102-297-701
FAX: +49-6102-297-750

SEIKOH GIKEN Hong Kong Co.,Ltd.

Concordia Plaza 21/F Rm2111,
1 Science Museum Road, Tsim Sha Tsui East,
Kowloon, Hong Kong.
TEL: +852-26206551 FAX: +852-26206525

TABLE OF CONTENTS

Section		Page
1	SCOPE	1
2	PART NUMBER	1
3	GENERAL SPECIFICATIONS	2
	3.1 Parts and Materials	2
	3.2 Physical Dimensions	3
	3.3 General Tolerance	3
	3.4 Appearance	3
4	PACKING	4
5	IDENTIFICATION	4
6	HANDLING AND CARE	4
	6.1 Conditions of Storage	4
	6.2 Precautions of Use	4
	6.3 Disposal	4

Table

Table 1	Part Number	1
Table 2	Parts and Materials	2
Table 3	Parts and Materials of Main Body	2
Table 4	Physical Specifications	3
Table 5	General Tolerance	3

Figure

Figure 1	SGP-8 Series Connector Plug (R-type - Narrow Key -)	5
Figure 2	Main Body (R-type - Narrow Key -)	6
Figure 3 to 11	Dimensions of Parts	7 to 11


1. SCOPE

These specifications apply to the SGP-8 series FC connector plug - for angled-PC, step shape - supplied by SEIKOH GIKEN Co., Ltd.

2. PART NUMBER

Part number of the housing is shown in Table 1.

Table 1 Part Number

MODEL Number		TYPE Number										
SGP-8		8	7	1	2	5	1	B	3	K	1	G
Boot Color		Auxiliary digit		Boot I.D. [mm]		Specification		Package		Cap		
0	No Boot	1 G		0 No Boot		K R-type - Narrow Key -		3 Bulk Package		0 No Cap		
8	Green			1 for ø 0.9 buffered fiber (Rubber)						3 White Plastic Cap		
				6 for ø 2 cord (Plastic)						8 Green PVC Cap		
				7 for ø 3 cord (Plastic)						B Green Ferrule Cap		
				9 for ø 0.9 buffered fiber (Plastic)								
				Ferrule I.D. [µm]								
				1 2 5 ø 125								
				1 2 6 ø 126								
				Marking of Boot								
				Applicable Boot I.D. [mm]								
0	No Marking			No Boot for ø 0.9 buffered fiber (Rubber)								
1	 SG			for ø 0.9 buffered fiber (Plastic) for ø 2 to 3 cord (Plastic)								

3 GENERAL SPECIFICATIONS

3.1 Parts and Materials

Parts and materials are shown in Table 2.

Table 2 Parts and Materials

Item	Part Name	Qty	Material	Notes
①	Main Body	1	See Table 3	R-type - Narrow Key - See Table 3
②-1	Crimping Ring	1	Aluminum Alloy	for ø 3 mm cord
②-2				for ø 2 mm cord
③-1	Boot	1	TPEE	for ø 3 mm cord Green, Flammability UL94 V-0
③-2				for ø 2 mm cord Green, Flammability UL94 V-0
③-3				for ø 0.9 mm buffered fiber Green, Flammability UL94 V-0
③-4			Silicone for ø 0.9 mm buffered fiber, Rubber Boot Green, Flammability UL94 V-0	
④-1	Cap	1	PP	Ferrule Cap, Green
④-2			PVC	PVC Cap, Green
④-3			PE	Plastic Cap, White

Notes: 1 Item on Table 2 corresponds to the item reference number on Figure 1 to 11.

2 ② Crimping Ring is not included for ø 0.9 mm buffered fiber type.

Table 3 Parts and Materials of Mainbody

Item	Part Name	Qty	Material	Notes
⑤	Capillary	1	Zirconia	Step shape
⑥	Flange	1	Brass	Nickel Plating
⑦	Frame	1	Zinc Die-casting	R-type, Nickel Plating
⑧	Spring	1	Stainless Steel	-
⑨	Coupling Nut	1	Brass	Nickel Plating
⑩	Stopper	1	Brass	Nickel Plating

Note: Item on Table 3 corresponds to the item reference number on Figure 2.

3.2 Physical Dimensions

Figure 1 shows the SGP-8 series connector plugs.

Figure 2 shows the Main Body.

Figure 3 to 11 show the dimensions of the parts.

Table 4 Physical Specifications

Items	Parts Number	Specifications	Remarks
Diameter (ø d)	SGP-8 **125***K1G	ø 0.125 mm	-
	SGP-8 **126***K1G	ø 0.126 mm	-

3.3 General Tolerances

Permissible deviation in dimensions without tolerance indication is in accordance with ISO 2768-m (JIS B 0405-m), as shown in Table 5.

Table 5 General Tolerance (ISO 2768-m)

Basic size step [mm]		Permissible deviation [mm]
Over	Under	
0.5	3	±0.1
3	6	±0.1
6	30	±0.2
30	120	±0.3

3.4 Appearance

There should be no burr, peeling of plating or scratches that affect the product.

4 PACKING

The product is packed to prevent damage during shipment.

5 IDENTIFICATION

Identification label should indicate the part number and the lot number of the product(s) and should be permanently attached to the packing bag.

6 HANDLING AND CARE

6.1 Conditions of Storage

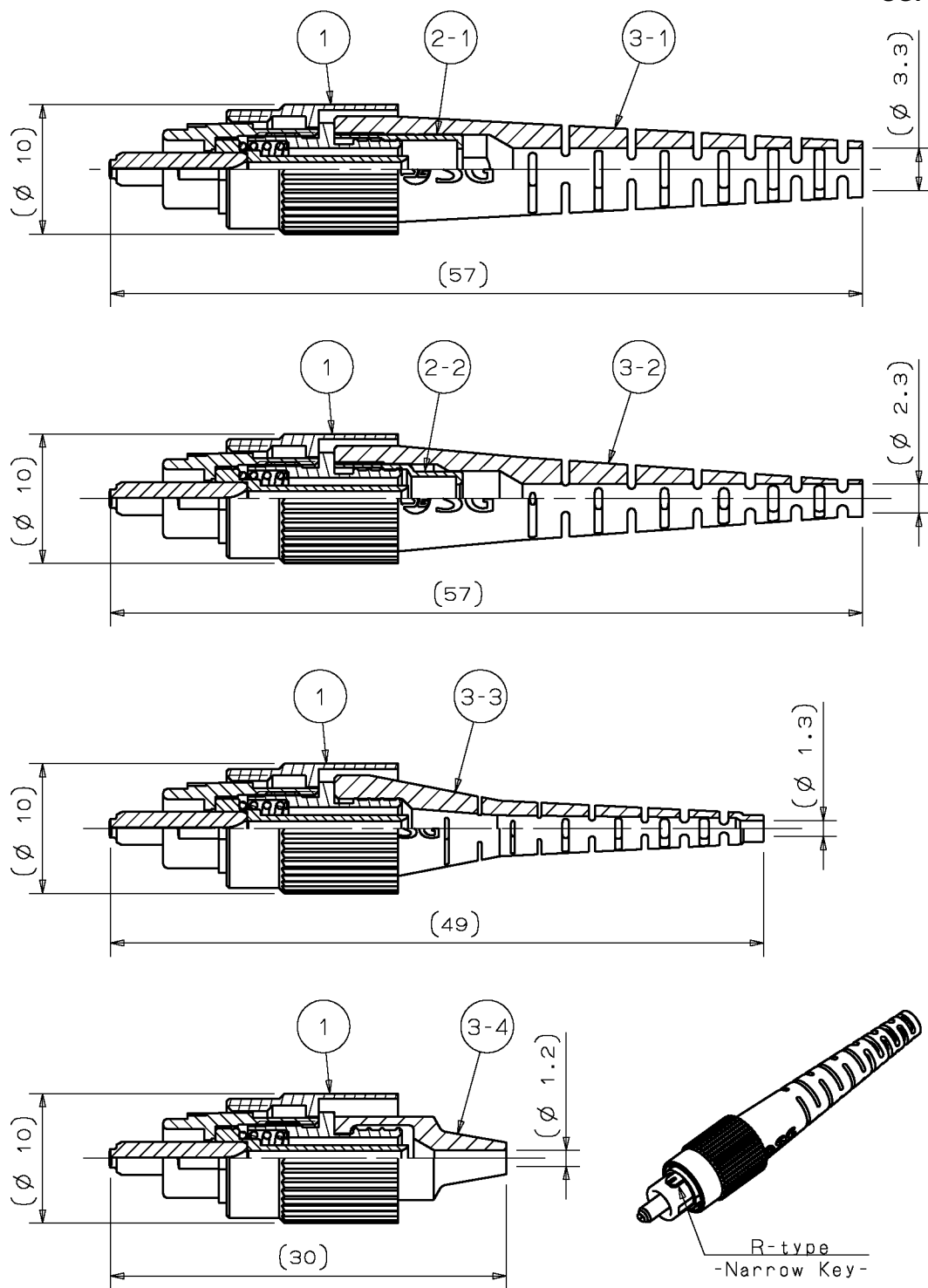
For storage of the product, keep in the packing bag and keep away from corrosive gas, high-temperature and humidity, extreme-low temperature and direct sunlight.

6.2 Precautions for Use

Contamination, oil, sweat and others debris on the ferrule end face may influence the performance of the product. If contamination is on the ferrule end face, wipe the end face with the end face cleaner.

6.3 Disposal

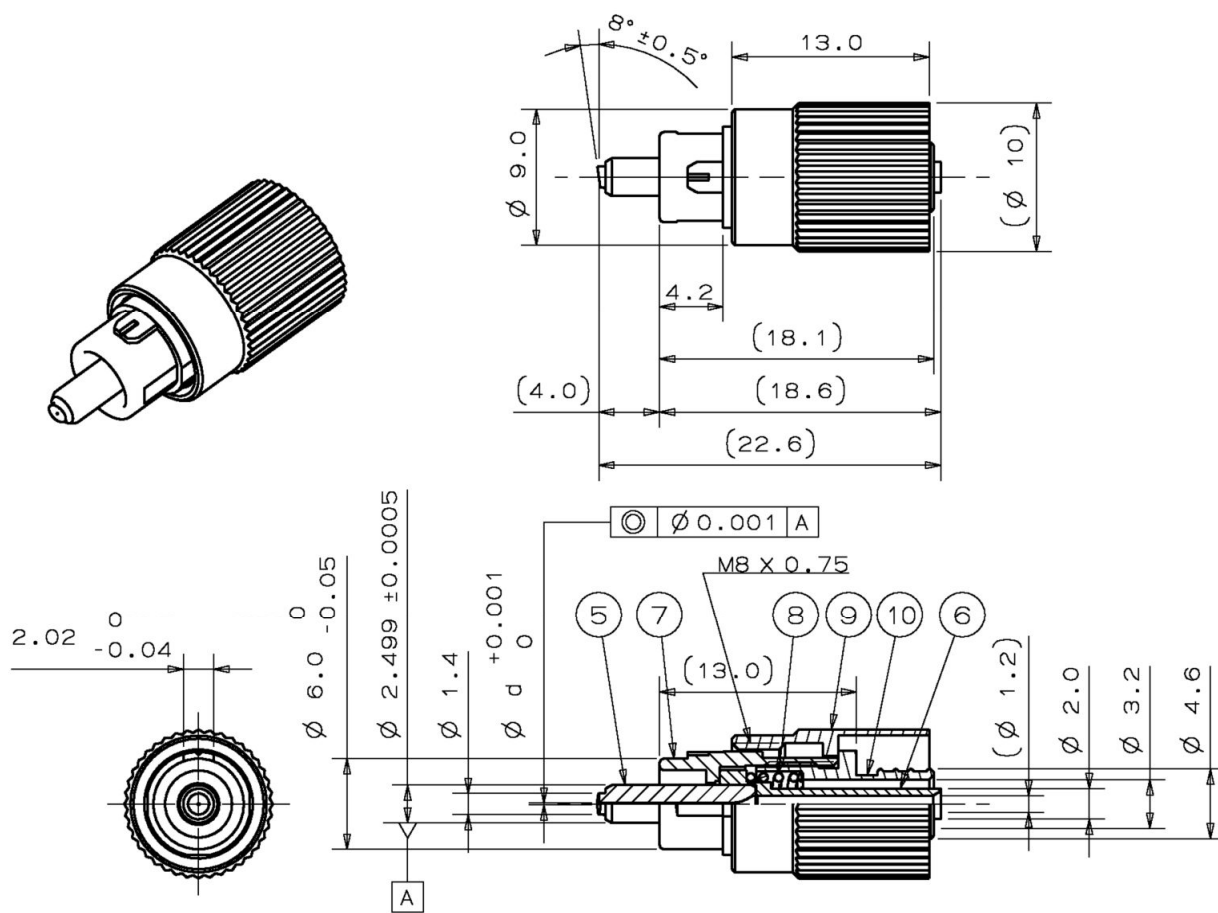
When discarding this product, please follow the regulations of your own country.



- Notes 1 This drawing shows the tentatively assembled condition.
On practical shipment of SGP-8 connector plug, this tentative assembly is not available.
- 2 This drawing does not include the cap.

Unit: mm

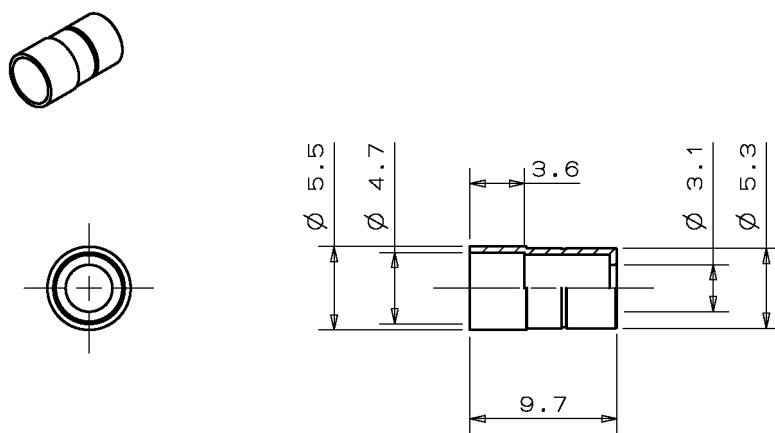
Figure 1 SGP-8 Series Connector Plug (R-type - Narrow Key -)



Note: Diameter ($\varnothing d$) differs according to the part number shown in Table 4.

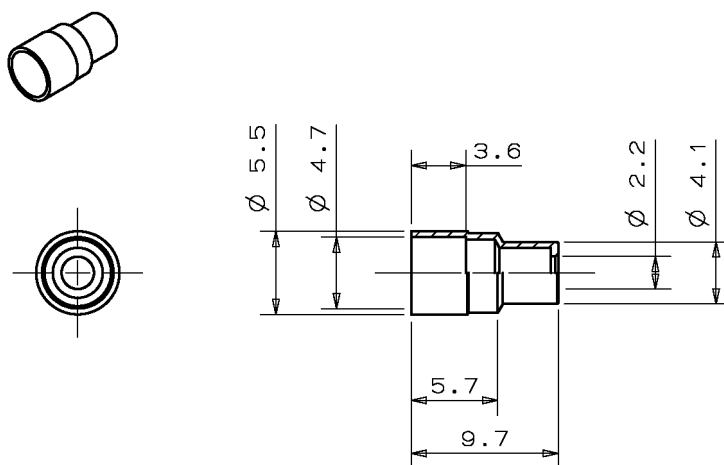
Unit: mm

Figure 2 ① Main Body (R-type - Narrow Key -)



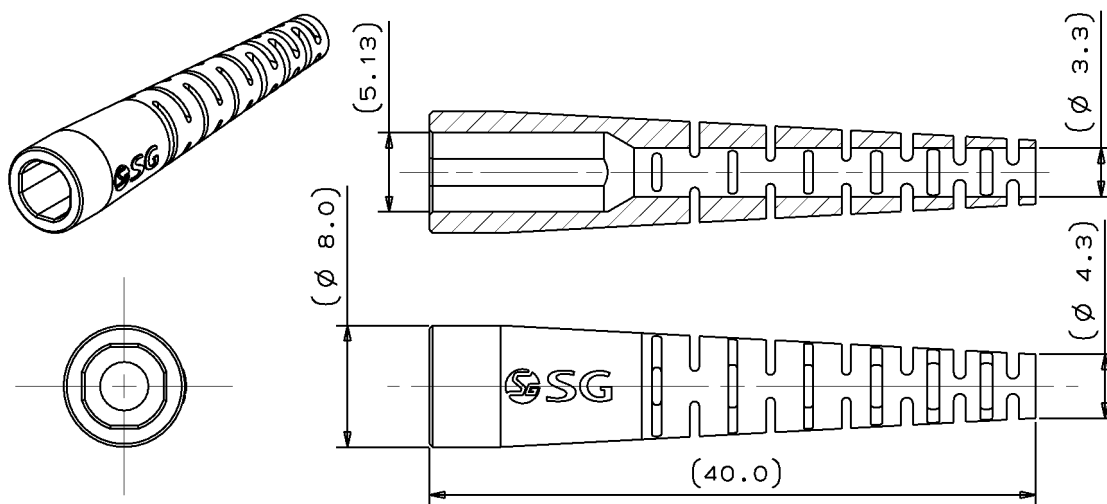
Unit: mm

Figure 3 ②-1 Crimping Ring (for \varnothing 3 mm cord)



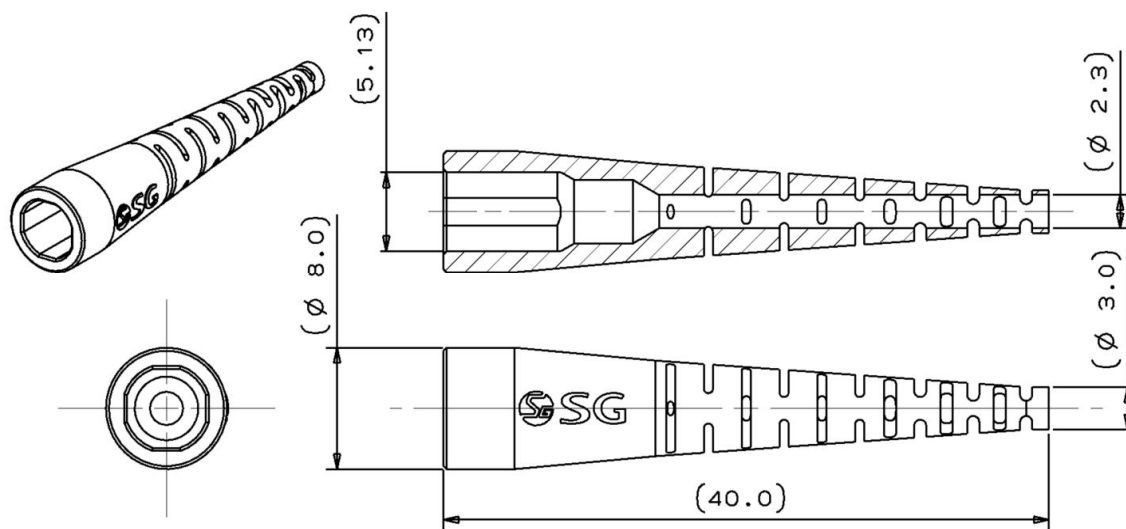
Unit: mm

Figure 4 ②-2 Crimping Ring (for \varnothing 2 mm cord)



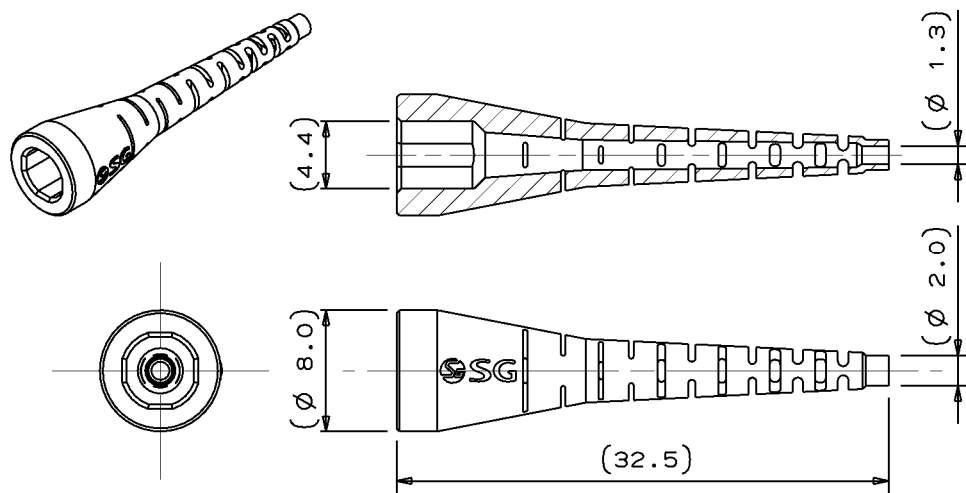
Unit: mm

Figure 5 ③-1 Boot (for ø 3 mm cord)



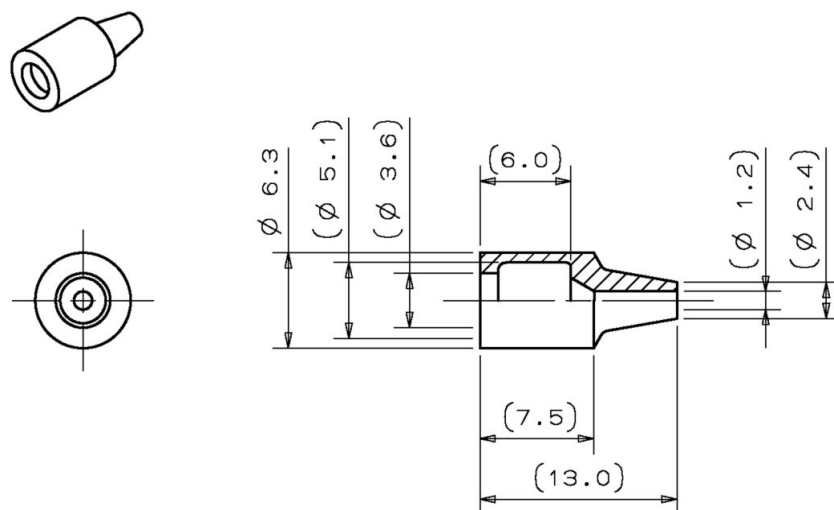
Unit: mm

Figure 6 ③-2 Boot (for ø 2 mm cord)



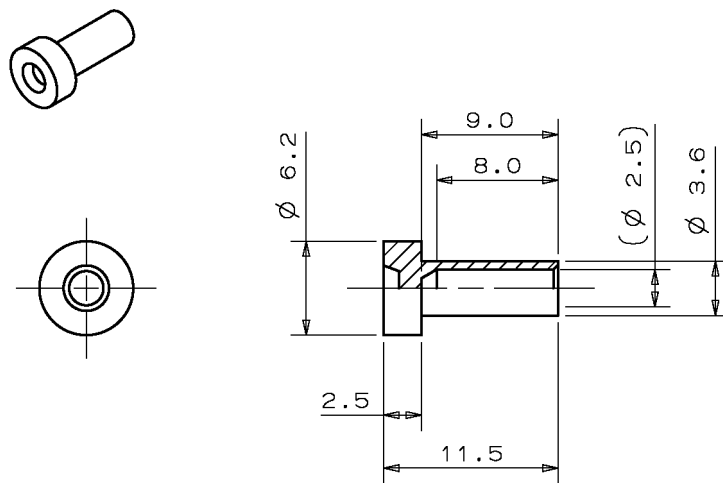
Unit: mm

Figure 7 ③-3 Boot (for \varnothing 0.9 mm buffered fiber)



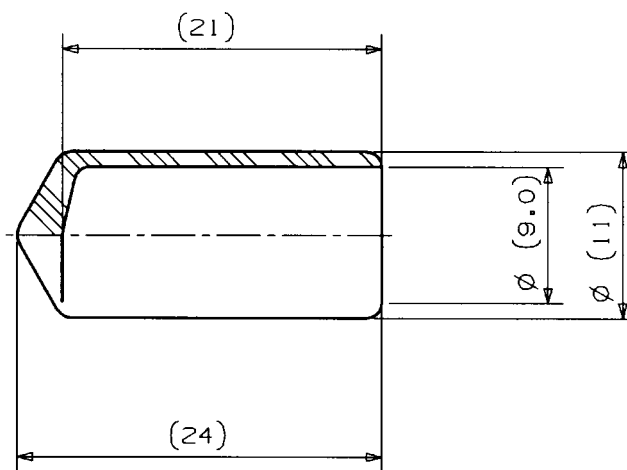
Unit: mm

Figure 8 ③-4 Boot (for \varnothing 0.9 mm buffered fiber, Rubber Boot)



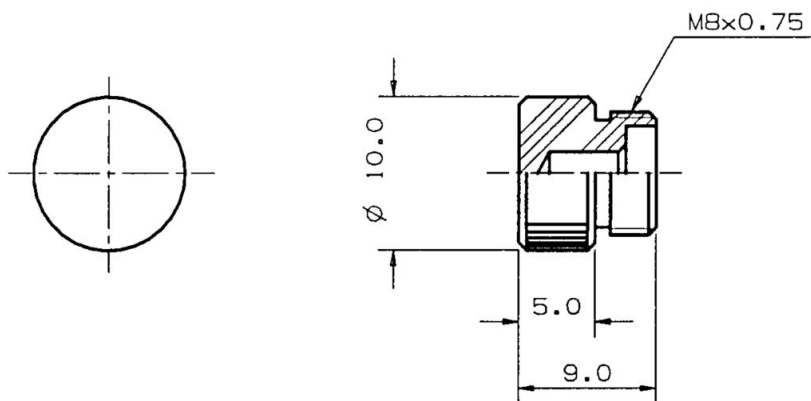
Unit: mm

Figure 9 ④-1 Cap (Ferrule Cap)



Unit: mm

Figure 10 ④-2 Cap (PVC Cap)



Unit: mm

Figure 11 ④-3 Cap (Plastic Cap)