

SMU-PN Series
Single mode
MU CONNECTOR PLUG
- for Angled-PC -

TECHNICAL SPECIFICATIONS



SEIKOH GIKEN Co.,Ltd.
Fiber Optic Products Division
296-1, MATSUHIDAI, MATSUDO-SHI,
CHIBA, 270-2214 JAPAN.
TEL: +81-47-388-6111 FAX: +81-47-388-4477

**SMU-PN Series Single mode MU CONNECTOR PLUG - for Angled-PC -
TECHNICAL SPECIFICATIONS**

ACD-25BC-01	June	2002
S05-H043-01E	July	2006

Copyright © 2002 - 2006 by **SEIKOH GIKEN Co.,Ltd.**
All right reserved.

The information contained herein shall not be reproduced or disclosed to any third party without the express written consent of SEIKOH GIKEN Co., Ltd.
The specifications contained herein are subject to change without notice.

Please address any questions, comments, and suggestions to:

SEIKOH GIKEN USA, Inc.
Headquarters

4405 International Blvd., Suite B109
Norcross, GA 30093 U.S.A.
TEL: +1-770-279-6602 FAX: +1-770-279-8839

Northeastern Field Office

714 Executive Drive
Princeton, NJ 08540
TEL: +1-609-279-0225 FAX: +1-609-279-0207

Western Field Office

21250 Hawthorne Boulevard, Suite 700
Torrance, CA 90503
TEL: +1-310-792-7450 FAX: +1-310-792-7451

SEIKOH GIKEN Europe GmbH
Frankfurt Branch

Siemensstrasse 9
D-63263 Neu-Isenburg, Germany
TEL: +49-6102-297-701
FAX: +49-6102-297-750

SEIKOH GIKEN Hong Kong Co.,Ltd.

Concordia Plaza 21/F Rm2111,
1 Science Museum Road, Tsim Sha Tsui East,
Kowloon, Hong Kong.
TEL: +852-26206551 FAX: +852-26206525

TABLE OF CONTENTS

Section		Page
1	SCOPE	1
2	PART NUMBER	1
3	GENERAL SPECIFICATIONS	2
3.1	Parts and Materials	2
3.2	Physical Dimensions	3
3.3	General Tolerance	3
3.4	Appearance	3
4	PACKING	3
5	IDENTIFICATION	3
6	HANDLING AND CARE	4
6.1	Conditions of Storage	4
6.2	Precautions of Use	4
6.3	Disposal	4

Table

Table 1	Part Number	1
Table 2	Parts and Materials	2
Table 3	Parts and Materials of Main Body	2
Table 4	Physical Specifications	3
Table 5	General Tolerance	3

Figure

Figure 1	SMU-PN Series Connector Plug (for \varnothing 0.9 mm buffered fiber)	5
Figure 2	SMU-PN Series Connector Plug (for \varnothing 2 mm cord)	6
Figure 3	Main Body	7
Figure 4 to 8	Dimensions of Parts	8 to 9

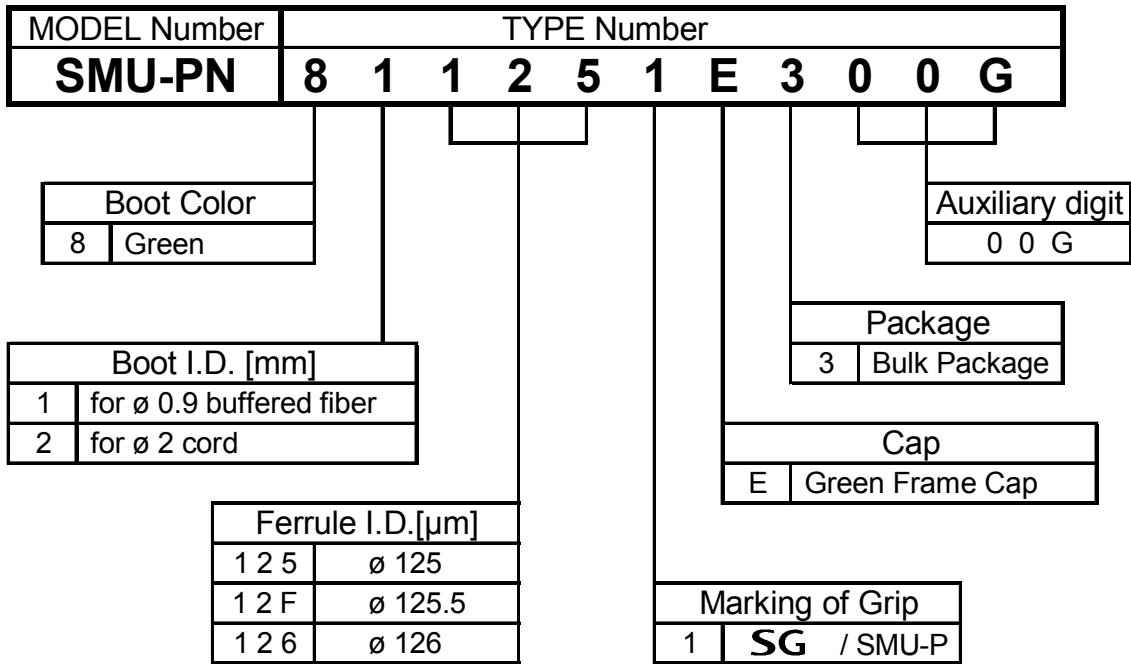
1 SCOPE

These specifications apply to the SMU-PN series single mode MU connector plug - for angled-PC - supplied by SEIKOH GIKEN Co., Ltd.

2 PART NUMBER

Part number of the connector plug is shown in Table 1.

Table 1 Part Number



3 GENERAL SPECIFICATIONS

3.1 Parts and Materials

Parts and materials are shown in Table 2.

Table 2 Parts and Materials

No.	Part Name	Qty	Material	Notes
①	Main Body	1	See Table 3	Sub-assembled
②	Grip	1	PBT GF	Green, Flammability UL94V-0
③	Crimping Ring	1	Aluminum Alloy + Sumitube®	Sumitube®: Black, with adhesive liner, Flame-retardant UL224
④-1	Boot	1	TPEE	for ø 0.9 mm buffered fiber, Green, Flammability UL94V-0
④-2				for ø 2 mm cord, Green, Flammability UL94V-0
⑪	Cap	1	PP	Frame Cap, Green

Notes: 1 Item on Table 2 corresponds to the item reference number on Figure 1 to 8.

2 ③Crimping Ring is not included for ø 0.9 mm buffered fiber type.

Table 3 Parts and Materials of Main Body

Item	Part Name	Qty	Material	Notes
⑤	Capillary	1	Zirconia	Conical shape
⑥	Flange	1	Brass	Nickel Plating
⑦	Tube	1	PTFE	Clear, Flammability UL94 V-0
⑧	Plug Frame	1	PBT GF	White, Flammability UL94 V-0
⑨	Spring	1	Stainless Steel	-
⑩	Stop Ring	1	Brass	Nickel Plating

Note: Item on Table 3 corresponds to the item reference number on Figure 3.

3.2 Physical Dimensions

Figure 1 to 2 show the SMU-PN series connector plugs.

Figure 3 shows the Main Body.

Figure 4 to 8 show the dimensions of the parts.

Table 4 shows the physical specifications of the SMU-PN series connector plug.

- In accordance with IEC 61754-6 Type MU connector family.
- In accordance with JIS C 5983 F14 Type connectors.

Table 4 Physical Specifications

Items	Parts Number	Specifications	Remarks
Diameter (\varnothing d)	SMU-PN **125**300G	\varnothing 0.125 mm	-
	SMU-PN **12F**300G	\varnothing 0.1255 mm	-
	SMU-PN **126**300G	\varnothing 0.126 mm	-

3.3 General Tolerances

Permissible deviation in dimensions without tolerance indication is in accordance with ISO 2768-m (JIS B 0405-m), as shown in Table 5.

Table 5 General Tolerance (ISO 2768-m)

Basic size step [mm]		Permissible deviation [mm]
Over	Under	
0.5	3	± 0.1
3	6	± 0.1
6	30	± 0.2
30	120	± 0.3

3.4 Appearance

There should be no burr, peeling of plating or scratches that affect the product.

4 PACKING

The product is packed to prevent damage during shipment.

5 IDENTIFICATION

Identification label should indicate the part number and the lot number of the product(s) and should be permanently attached to the packing bag.

6 HANDLING AND CARE

6.1 Conditions of Storage

Keep the product, in the packing bag, at the following conditions for its storage.

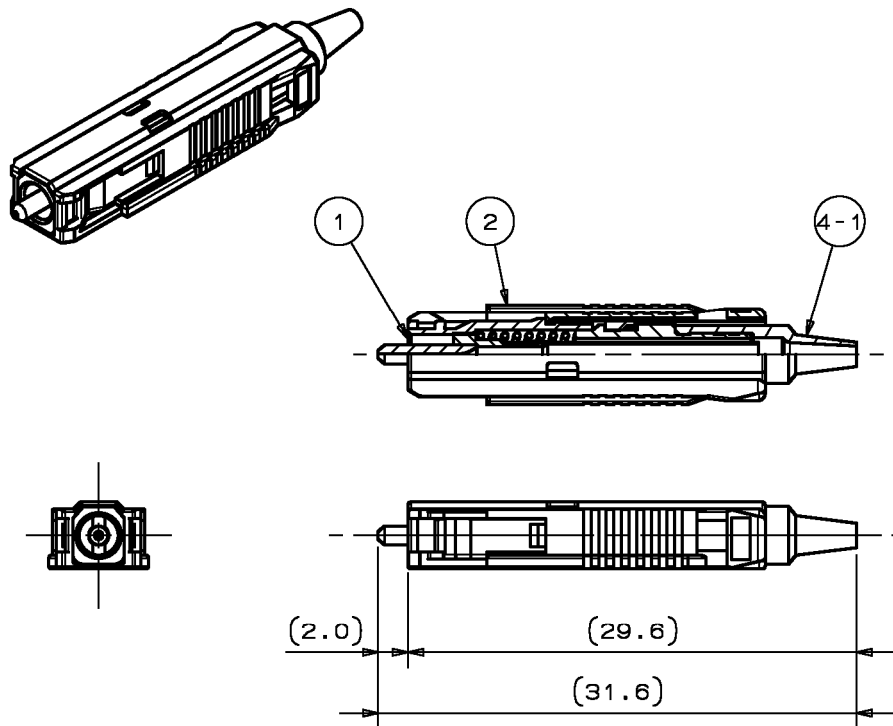
- Storage temperature: -40 to +85 degrees C
- Storage humidity: 0 to 85%RH, non-condensing

6.2 Precautions for Use

Contamination, oil, sweat and others debris on the ferrule end face may influence the performance of the product. If contamination is on the ferrule end face, wipe the end face with the end face cleaner.

6.3 Disposal

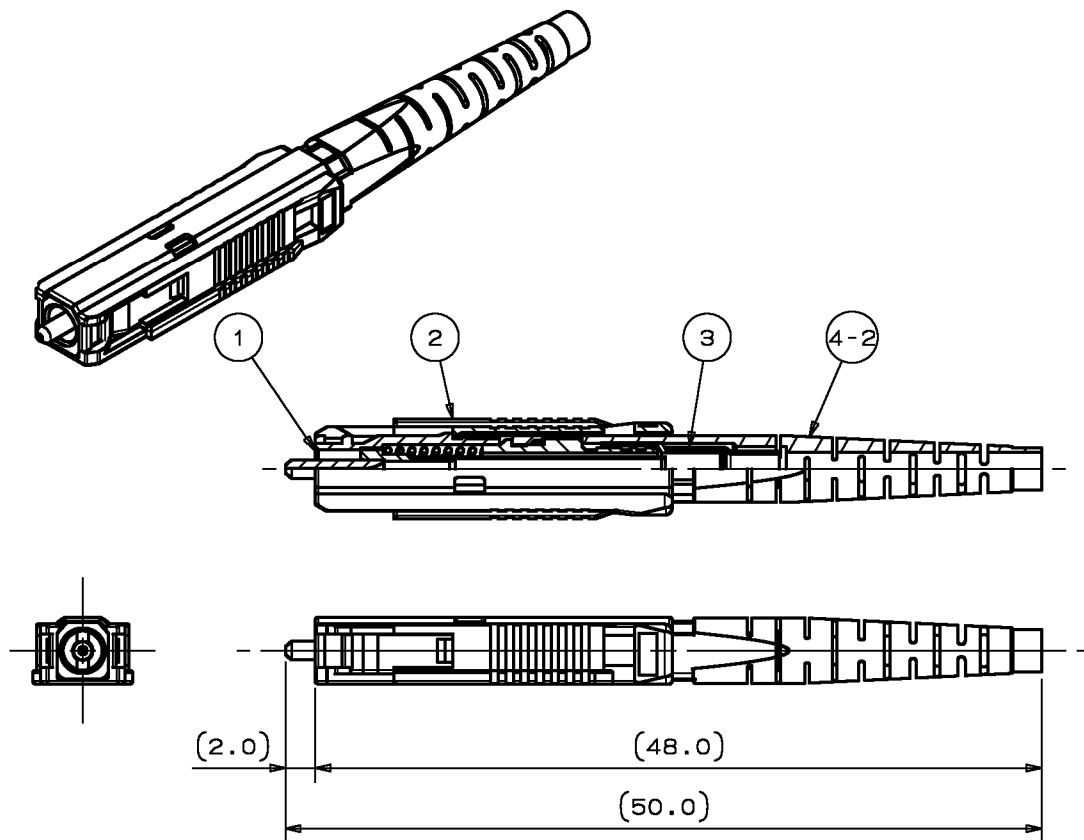
When discarding this product, please follow the regulations of your own country.



- Notes: 1 This drawing shows the tentatively assembled condition.
On practical shipment of SMU-PN connector plug, this tentative assembly is not available.
- 2 This drawing does not include the cap.

Unit: mm

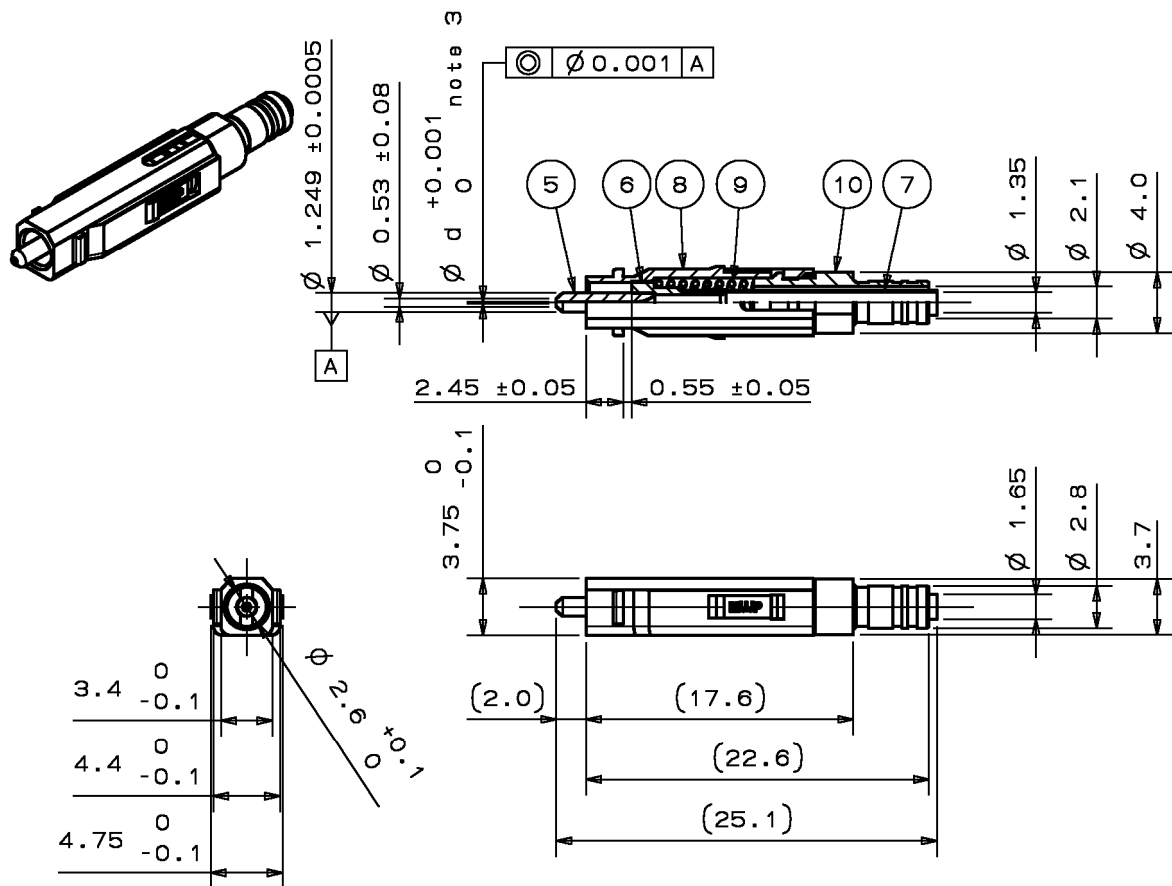
Figure 1 SMU-PN Series Connector Plug (for \varnothing 0.9 mm buffered fiber)



- Notes: 1 This drawing shows the tentatively assembled condition.
On practical shipment of SMU-PN connector plug, this tentative assembly is not available.
- 2 This drawing does not include the cap.

Unit: mm

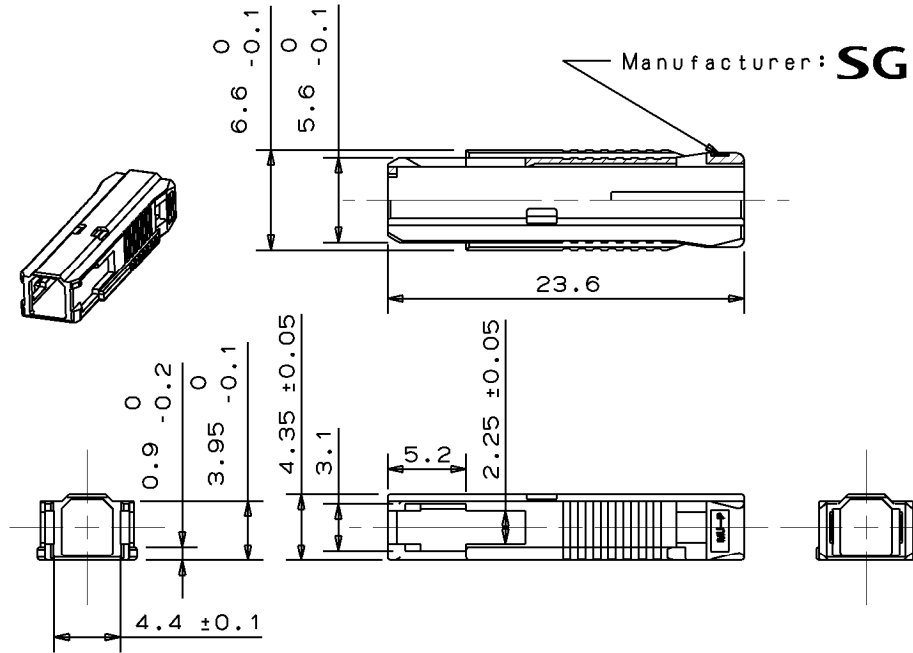
Figure 2 SMU-PN Series Connector Plug (for \varnothing 2 mm cord)



Note 3 Diameter ($\varnothing d$) differs according to the part number shown in Table 4.

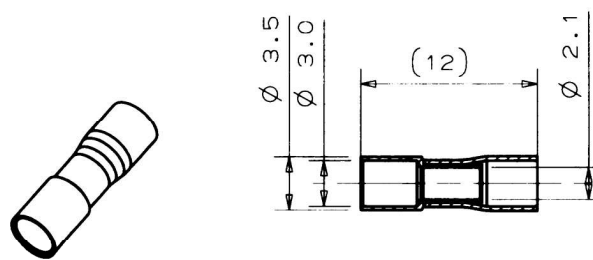
Unit: mm

Figure 3 ①Main Body



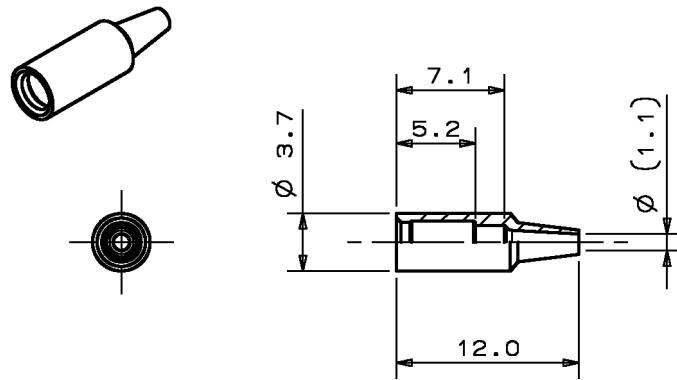
Unit: mm

Figure 4 ②Grip



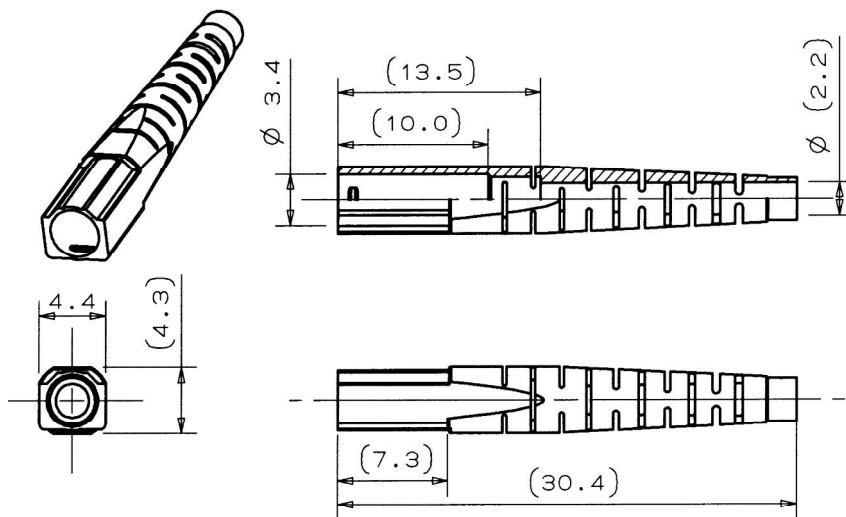
Unit: mm

Figure 5 ③Crimping Ring (for $\varnothing 2$ mm cord)



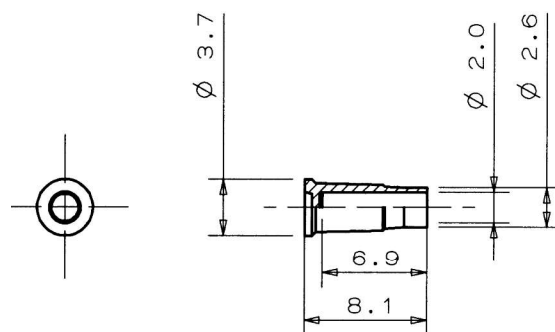
Unit: mm

Figure 6 ④-1 Boot (for \varnothing 0.9 mm buffered fiber)



Unit: mm

Figure 7 ④-2 Boot (for \varnothing 2 mm cord)



Unit: mm

Figure 8 ⑩ Cap