

# **SMUJ-C1 Series**

**MU HOUSING**

**JACK TYPE**

- for  $\varnothing$  0.9 mm buffered fiber -

## **TECHNICAL SPECIFICATIONS**



**SEIKOH GIKEN Co.,Ltd.**  
**Fiber Optic Products Division**  
296-1, MATSUHIDAI, MATSUDO-SHI,  
CHIBA, 270-2214 JAPAN.  
TEL: +81-47-388-6111 FAX: +81-47-388-4477

**SMUJ-C1 Series MU HOUSING KACK TYPE - for  $\varnothing$  0.9 mm buffered fiber -  
TECHNICAL SPECIFICATIONS**

ACD-00B2-01	October	2000
S05-H046-01E	July	2006
S05-H082-01E	January	2010

Copyright © 2000 - 2010 by **SEIKOH GIKEN Co.,Ltd.**  
All right reserved.

The information contained herein shall not reproduced or disclosed to any third party without the express written consent of SEIKOH GIKEN Co., Ltd.  
The Specifications contained herein are subject to change without notice.

Please address any questions, comments, and suggestions to:

**SEIKOH GIKEN USA, Inc.**

4405 International Blvd., Suite B109  
Norcross, GA 30093 U.S.A.  
TEL: +1-770-279-6602 FAX: +1-770-279-8839

**SEIKOH GIKEN Europe GmbH**

Siemensstrasse 9  
D-63263 Neu-Isenburg, Germany  
TEL: +49-6102-297-701  
FAX: +49-6102-297-750

**SEIKOH GIKEN Hong Kong Co.,Ltd.**

Concordia Plaza 21/F Rm2111,  
1 Science Museum Road, Tsim Sha Tsui East,  
Kowloon, Hong Kong.  
TEL: +852-26206551 FAX: +852-26206525

## TABLE OF CONTENTS

Section	Page
1 SCOPE	1
2 PART NUMBER	1
3 GENERAL SPECIFICATIONS	2
3.1 Parts and Materials	2
3.2 Physical Dimensions	2
3.3 General Tolerance	2
3.4 Appearance	2
4 PACKING	3
5 IDENTIFICATION	3
6 HANDLING AND CARE	3
6.1 Conditions of Storage	3
6.2 Precautions of Use	3
6.3 Disposal	3

### Table

Table 1	Part Number	1
Table 2	Parts and Materials	2
Table 3	General Tolerance	2

### Figure

Figure 1	SMUJ-C1 Series Housing	4
Figure 2 to 6	Dimensions of Parts	5 to 6



1. SCOPE

These specifications apply to the SMUJ-C1 series MU housing jack type - for  $\varnothing$  0.9 mm buffered fiber - supplied by SEIKOH GIKEN Co., Ltd.

2. PART NUMBER

Part number of the housing is shown in Table 1.

Table 1 Part Number

MODEL Number	TYPE Number																
<b>SMUJ-C1</b>	<b>9</b>	<b>1</b>	<b>C</b>	<b>3</b>	<b>0</b>	<b>1</b>	<b>G</b>										
	<table border="1"> <tr><td colspan="2">Boot Color</td></tr> <tr><td>9</td><td>Lavender</td></tr> </table>		Boot Color		9	Lavender				<table border="1"> <tr><td colspan="3">Auxiliary digit</td></tr> <tr><td>0</td><td>1</td><td>G</td></tr> </table>		Auxiliary digit			0	1	G
Boot Color																	
9	Lavender																
Auxiliary digit																	
0	1	G															
	<table border="1"> <tr><td colspan="2">Boot I.D. [mm]</td></tr> <tr><td>1</td><td>for <math>\varnothing</math> 0.9 buffered fiber</td></tr> </table>		Boot I.D. [mm]		1	for $\varnothing$ 0.9 buffered fiber		<table border="1"> <tr><td colspan="2">Package</td></tr> <tr><td>3</td><td>Bulk Package</td></tr> </table>		Package		3	Bulk Package				
Boot I.D. [mm]																	
1	for $\varnothing$ 0.9 buffered fiber																
Package																	
3	Bulk Package																
			<table border="1"> <tr><td colspan="2">Cap</td></tr> <tr><td>C</td><td>White Frame Cap</td></tr> </table>					Cap		C	White Frame Cap						
Cap																	
C	White Frame Cap																

### 3 GENERAL SPECIFICATIONS

#### 3.1 Parts and Materials

Parts and the materials are shown in Table 2.

Table 2 Parts and Materials

No.	Part Name	Qty	Material	Notes
①	Plug Frame	1	PBT GF	White, Flammability UL94 V-0
②	Spring	1	Stainless Steel	-
③	Stop Ring	1	PBT GF	White, Flammability UL94 V-0
④	Boot	1	TPEE	Flammability UL94 V-0
⑤	Cap	1	PP	Frame Cap, White

Note: Item on Table 2 corresponds to the item reference number on Figure 1 to 6.

#### 3.2 Physical Dimensions

Figure 1 shows the SMUJ-C1 series housing.

Figure 2 to 6 show the dimensions of the parts.

- In accordance with IEC 61754-6 Type MU connector family.
- In accordance with JIS C 5983 F14 Type connectors.

#### 3.3 General Tolerances

Permissible deviation in dimensions without tolerance indication is in accordance with ISO 2768-m (JIS B 0405-m), as shown in Table 3.

Table 3 General Tolerance (ISO 2768-m)

Basic size step [mm]		Permissible deviation [mm]
Over	Under	
0.5	3	±0.1
3	6	±0.1
6	30	±0.2
30	120	±0.3

#### 3.4 Appearance

There should be no burr, peeling of plating or scratches that affect the product.

#### 4 PACKING

The product is packed to prevent damage during shipment.

#### 5 IDENTIFICATION

Identification label should indicate the part number and the lot number of the product(s) and should be permanently attached to the packing bag.

#### 6 HANDLING AND CARE

##### 6.1 Conditions of Storage

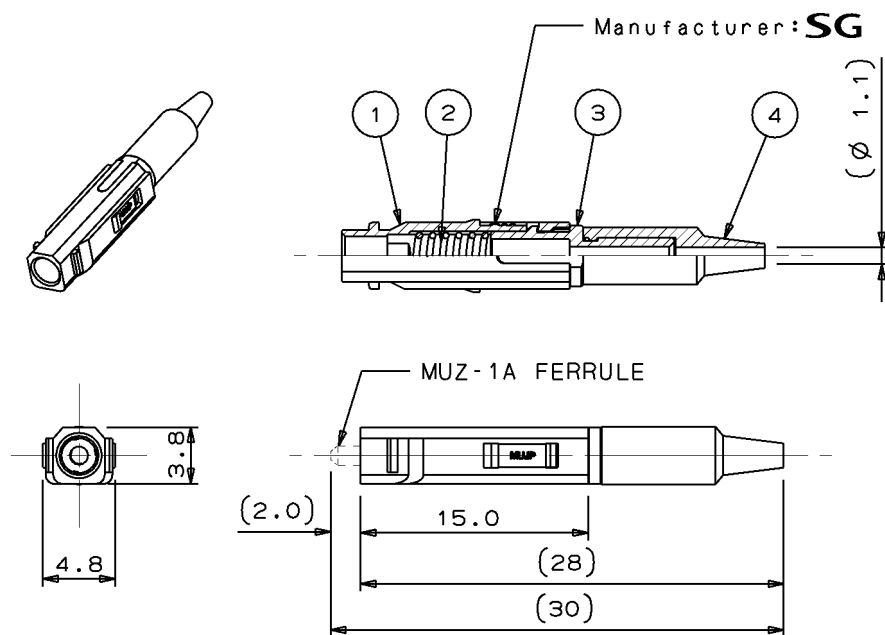
For storage of the product, keep in the packing bag and keep away from corrosive gas, high-temperature and humidity, extreme-low temperature and direct sunlight.

##### 6.2 Precautions for Use

Contamination, oil, sweat and others debris on the ferrule end face may influence the performance of the product. If contamination is on the ferrule end face, wipe the end face with the end face cleaner.

##### 6.3 Disposal

When discarding this product, please follow the regulations of your own country.

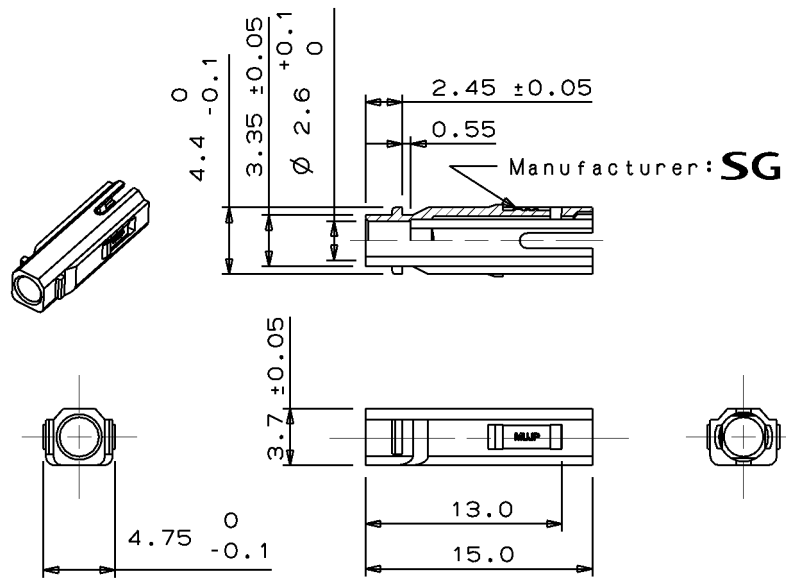


- Notes: 1 This drawing shows the tentatively assembled condition including a ferrule. On practical shipment of SMUJ-C1 housing, this tentative assembly is not available.
- 2 This drawing does not include the cap.
- 3 The ferrule is not included in SMU-CJ1 housing.

Unit: mm

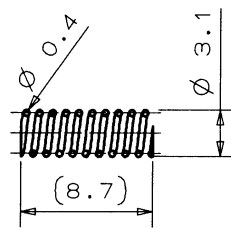
Figure 1 SMUJ-C1 Series Housing





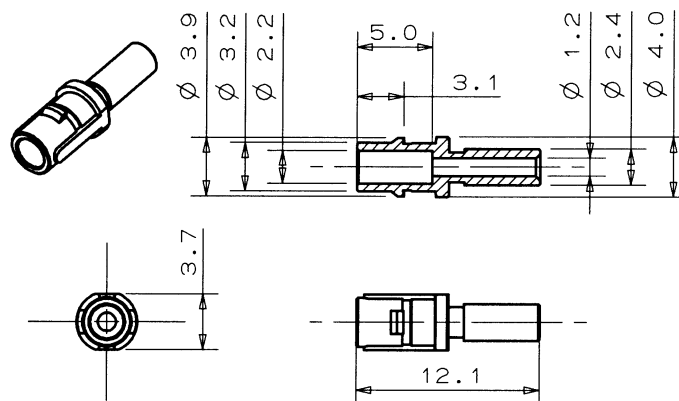
Unit: mm

Figure 2 ① Plug Frame



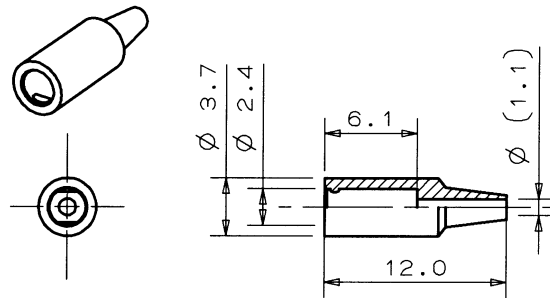
Unit: mm

Figure 3 ② Spring



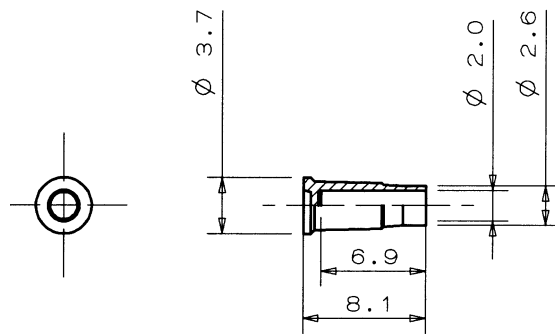
Unit: mm

Figure 4 ③ Stop Ring



Unit: mm

Figure 5 ④ Boot



Unit: mm

Figure 6 ⑤ Cap