

SSC-PN1 Series

SC HOUSING

- for Angled-PC, \varnothing 0.9 mm buffered fiber -

TECHNICAL SPECIFICATIONS



SEIKOH GIKEN Co.,Ltd.

Fiber Optic Products Division

296-1, MATSUHIDAI, MATSUDO-SHI,
CHIBA, 270-2214 JAPAN.

TEL: +81-47-388-6111 FAX: +81-47-388-4477

SSC-PN1 Series SC HOUSING - for Angled-PC, \varnothing 0.9 mm buffered fiber -
TECHNICAL SPECIFICATIONS

NCD-64B6-01	April	1996
NCD-64B6-02	September	1998
NCD-64B6-03	January	1999
NCD-64B6-04	August	2004
S05-H012-01E	July	2006
S05-H012-02E	November	2008

Copyright © 1996 - 2008 by **SEIKOH GIKEN Co.,Ltd.**
All right reserved.

The information contained herein shall not be reproduced or disclosed to any third party without the express written consent of SEIKOH GIKEN Co., Ltd.
The specifications contained herein are subject to change without notice.

Please address any questions, comments, and suggestions to:

SEIKOH GIKEN USA, Inc.

Headquarters

4405 International Blvd., Suite B109
Norcross, GA 30093 U.S.A.
TEL: +1-770-279-6602 FAX: +1-770-279-8839

Western Field Office

21250 Hawthorne Boulevard, Suite 700
Torrance, CA 90503
TEL: +1-310-792-7450 FAX: +1-310-792-7451

SEIKOH GIKEN Europe GmbH

Siemensstrasse 9
D-63263 Neu-Isenburg, Germany
TEL: +49-6102-297-701
FAX: +49-6102-297-750

SEIKOH GIKEN Hong Kong Co.,Ltd.

Concordia Plaza 21/F Rm2111,
1 Science Museum Road, Tsim Sha Tsui East,
Kowloon, Hong Kong.
TEL: +852-26206551 FAX: +852-26206525

TABLE OF CONTENTS

Section		Page
1	SCOPE	1
2	PART NUMBER	1
3	GENERAL SPECIFICATIONS	2
	3.1 Parts and Materials	2
	3.2 Physical Dimensions	2
	3.3 General Tolerance	2
	3.4 Appearance	2
4	PACKING	3
5	IDENTIFICATION	3
6	HANDLING AND CARE	3
	6.1 Conditions of Storage	3
	6.2 Precautions of Use	3
	6.3 Disposal	3

Table

Table 1	Part Number	1
Table 2	Parts and Materials	2
Table 3	General Tolerance	3

Figure

Figure 1	SSC-PN1 Series Housing (including Plastic Stop Ring)	4
Figure 2	SSC-PN1 Series Housing (including Metal Stop Ring)	5
Figure 3 to 12	Dimensions of Parts	6 to 11

1 SCOPE

These specifications apply to the SSC-PN1 series SC housing - for angled-PC, \varnothing 0.9 mm buffered fiber - supplied by SEIKOH GIKEN Co., Ltd.

2 PART NUMBER


Part number of the housing is shown in Table 1.

Table 1 Part Number

MODEL Number	TYPE Number								
SSC-PN1	8	1	1	G	3	1	5	1	G

Boot Color	
0	No Boot
8	Green

Boot I.D. [mm]	
0	No Boot
1	for \varnothing 0.9 buffered fiber (Rubber)

Marking of Grip	
1	 SG / SSC-P

Auxiliary digit	
1	G

Specifications	
1 0	Metal Stop Ring
1 5	Plastic Stop Ring

Package	
3	Bulk Package

Cap	
0	No Cap
B	Green Ferrule Cap
C	Black Frame Cap
D	Black Frame Cap + Black String
G	Green Grip Cap

3 GENERAL SPECIFICATIONS

3.1 Parts and Materials

Parts and materials are shown in Table 2.

Table 2 Parts and Materials

Item	Part Name	Qty	Material	Notes
①	Grip	1	PBT GF	Green, Flammability UL94 V-0
②	Plug Frame	1	PBT GF	White, Flammability UL94 V-0
③	Spring	1	Stainless Steel	-
④-1	Stop Ring	1	PBT GF	Black, Flammability UL94 V-0
④-2			Brass	Nickel Plating
⑤	Boot	1	Silicone	Rubber Boot Green, Flammability UL94 V-0
⑥-1	Cap	1	TPEE	Grip Cap Green, Flammability UL94 V-0
⑥-2			PP	Ferrule Cap, Green
⑥-3			PA	Frame Cap, Black
⑦	String ^{Note 2}	1	TPU	Black

Notes: 1 Item on Table 2 corresponds to the item reference number on Figure 1 to 12.

2 ⑦String is included only when using with ⑥-3 Frame Cap.

3.2 Physical Dimensions

Figure 1 and 2 show the SSC-PN1 series housing.

Figure 3 to 12 show the dimensions of the parts.

- In accordance with IEC 61754-4 Type SC connector family.
- In accordance with JIS C 5973 F04 Type connectors.

3.3 General Tolerances

Permissible deviation in dimensions without tolerance indication is in accordance with ISO 2768-m (JIS B 0405-m), as shown in Table 3.

Table 3 General Tolerance (ISO 2768-m)

Basic size step [mm]		Permissible deviation [mm]
Over	Under	
0.5	3	±0.1
3	6	±0.1
6	30	±0.2
30	120	±0.3

3.4 Appearance

There should be no burr, peeling of plating or scratches that affect the product.

4 PACKING

The product is packed to prevent damage during shipment.

5 IDENTIFICATION

Identification label should indicate the part number and the lot number of the product(s) and should be permanently attached to the packing bag.

6 HANDLING AND CARE

6.1 Conditions of Storage

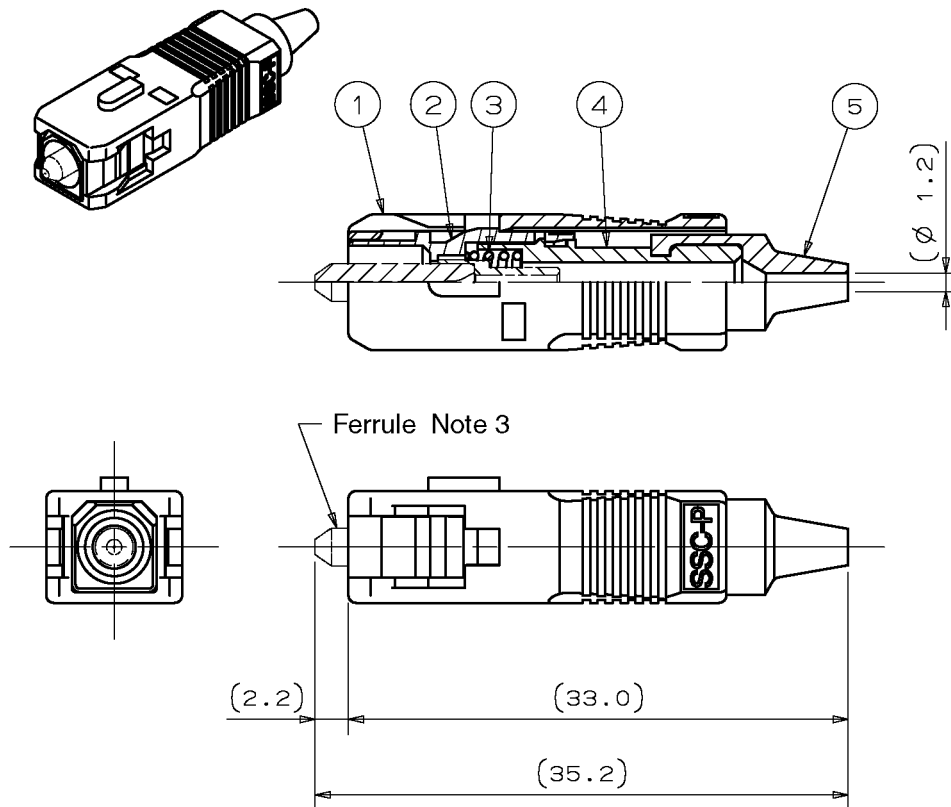
For storage of the product, keep in the packing bag and keep away from corrosive gas, high-temperature and humidity, extreme-low temperature and direct sunlight.

6.2 Precautions for Use

Contamination, oil, sweat and others debris on the ferrule end face may influence the performance of the product. If contamination is on the ferrule end face, wipe the end face with the end face cleaner.

6.3 Disposal

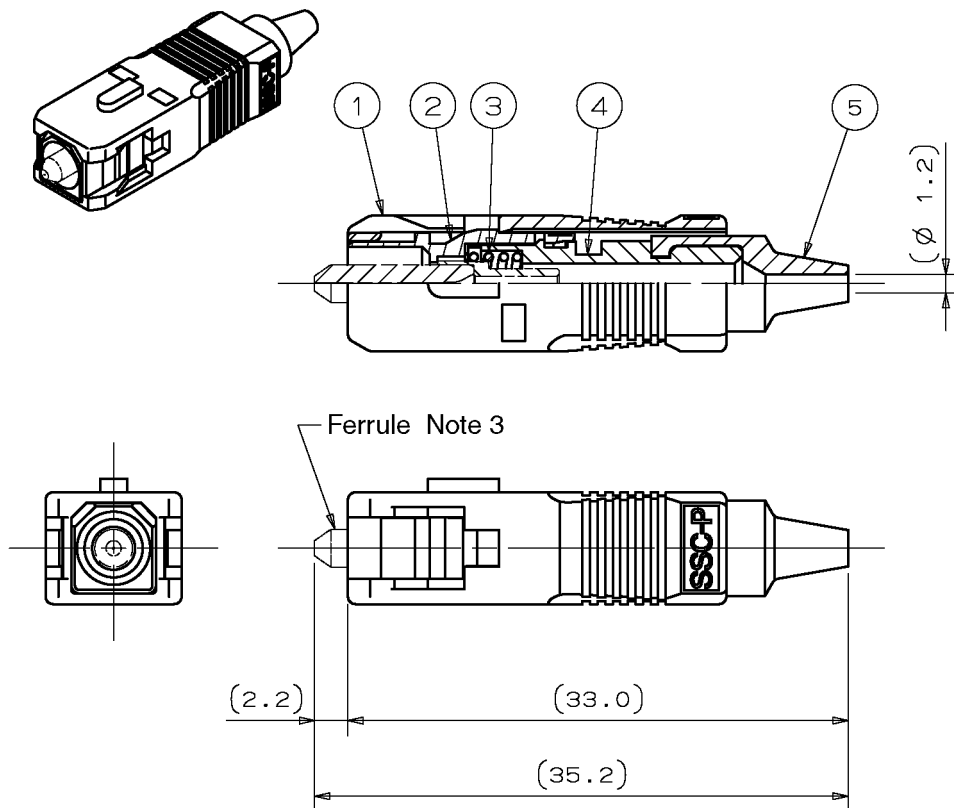
When discarding this product, please follow the regulations of your own country.



- Notes: 1 This drawing shows the tentatively assembled condition including a ferrule. On practical shipment of SSC-PN1 housing, this tentative assembly is not available.
- 2 This drawing does not include the cap.
- 3 The ferrule is not included in SSC-PN1 housing.

Unit: mm

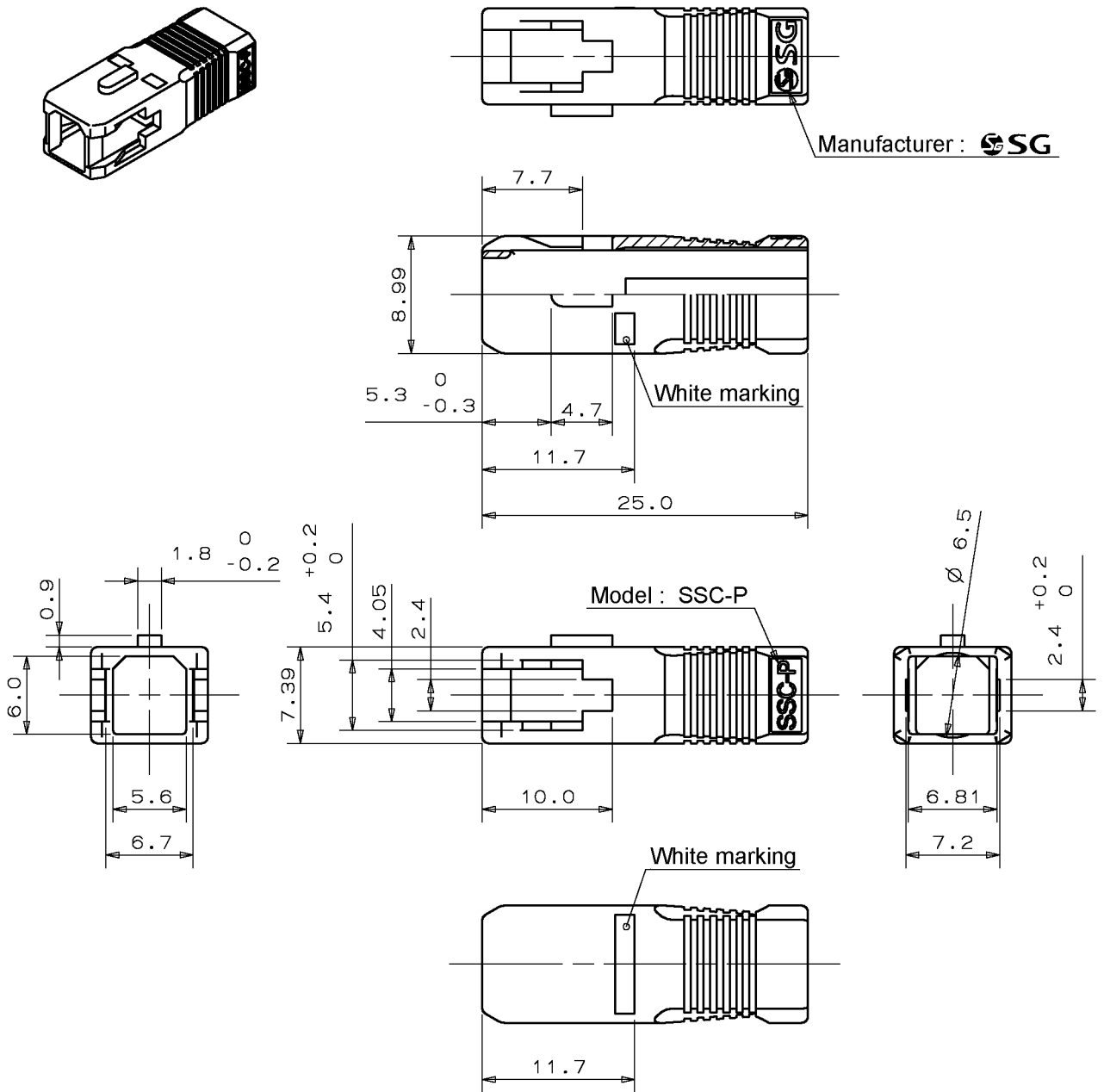
Figure 1 SSC-PN1 Series Housing (including Plastic Stop Ring)



- Notes: 1 This drawing shows the tentatively assembled condition including a ferrule. On practical shipment of SSC-PN1 housing, this tentative assembly is not available.
- 2 This drawing does not include the cap.
- 3 The ferrule is not included in SSC-PN1 housing.

Unit: mm

Figure 2 SSC-PN1 Series Housing (including Metal Stop Ring)



Unit: mm

Figure 3 ①Grip

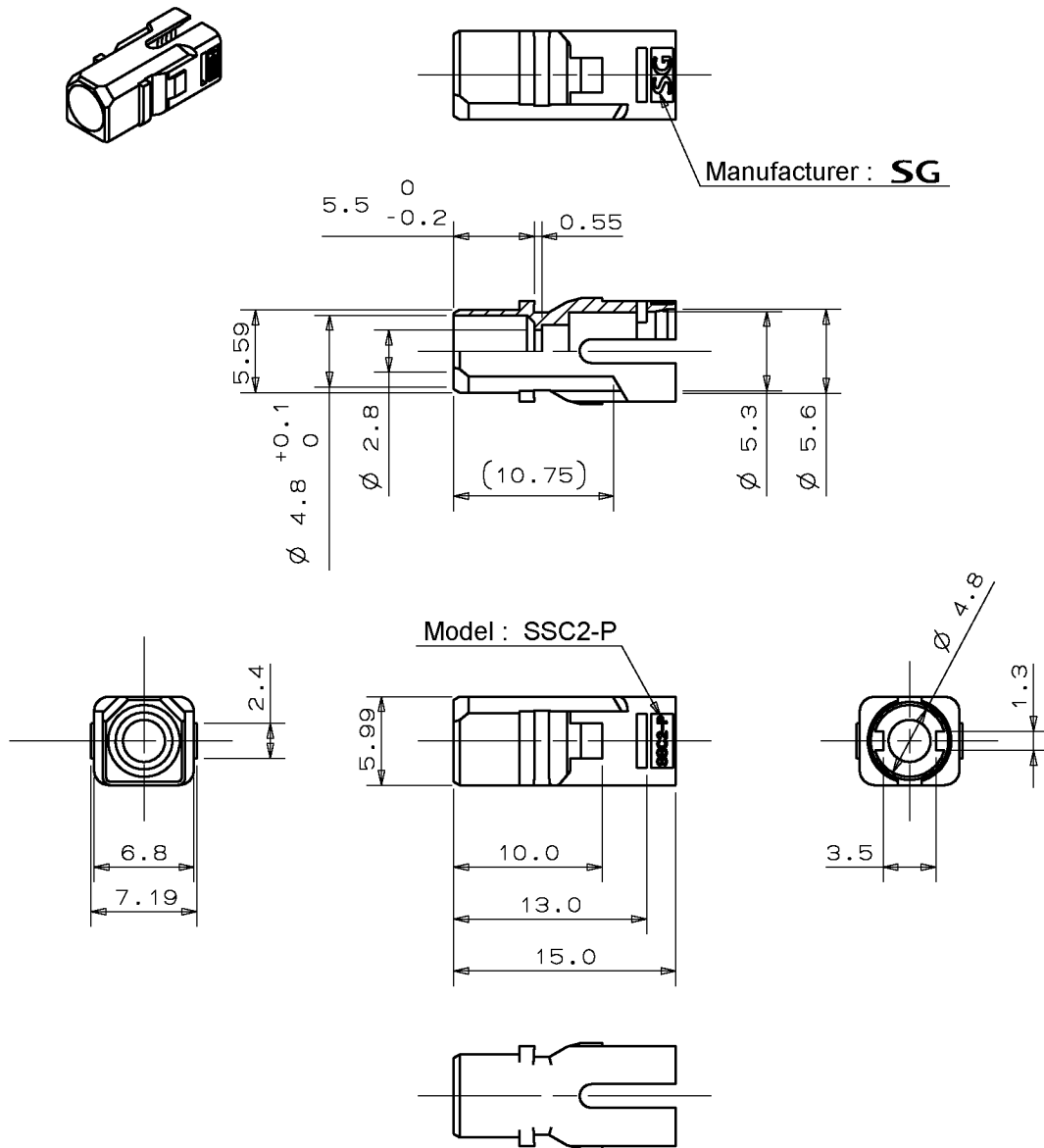
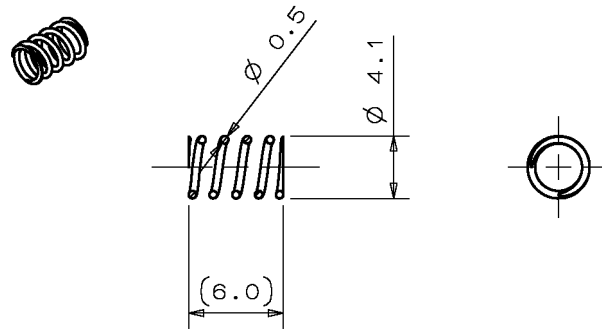
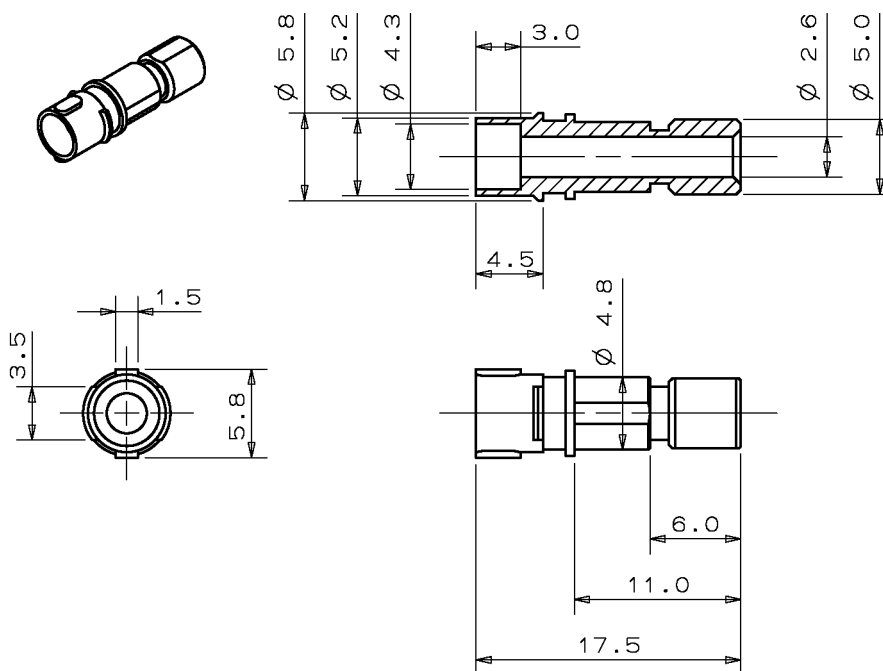


Figure 4 ②Plug Frame



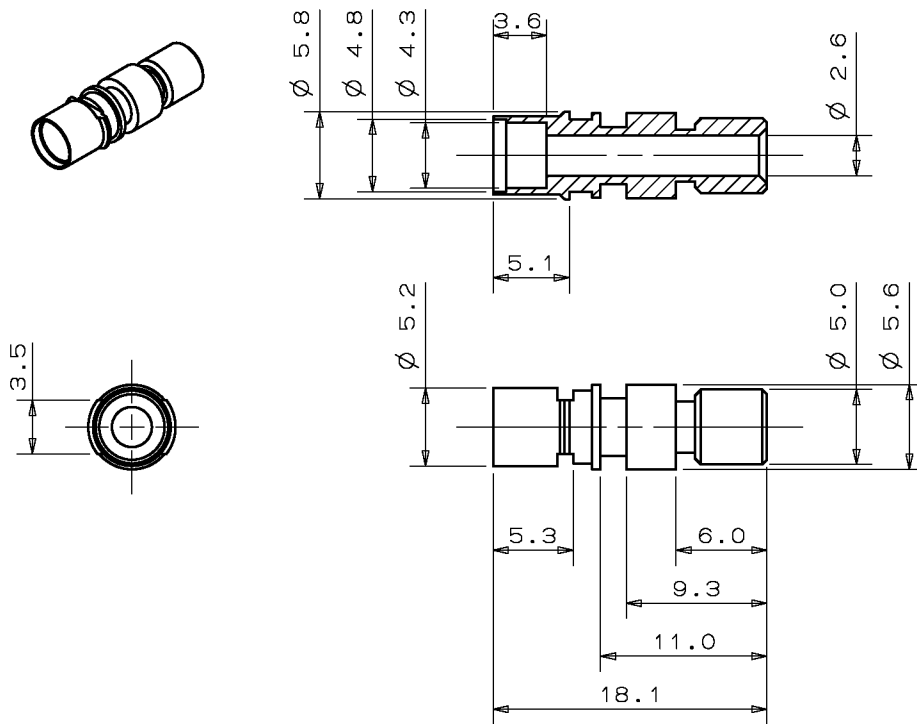
Unit: mm

Figure 5 ③Spring



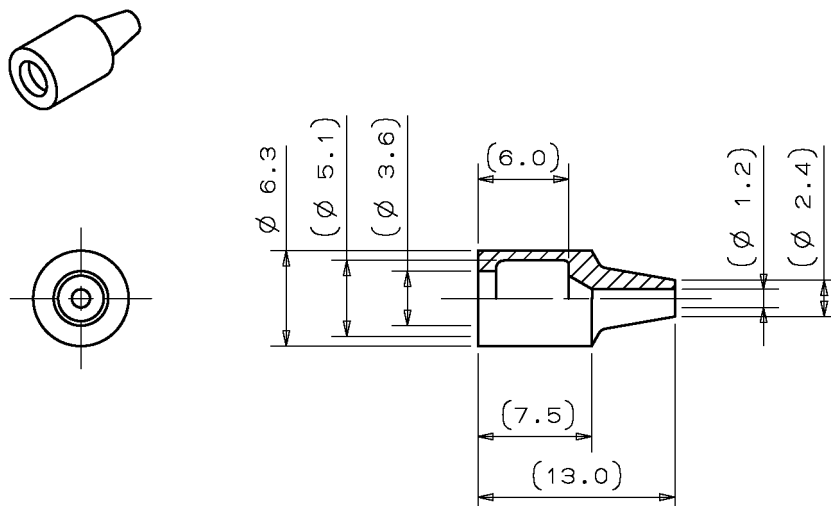
Unit: mm

Figure 6 ④-1 Stop Ring (Plastic)



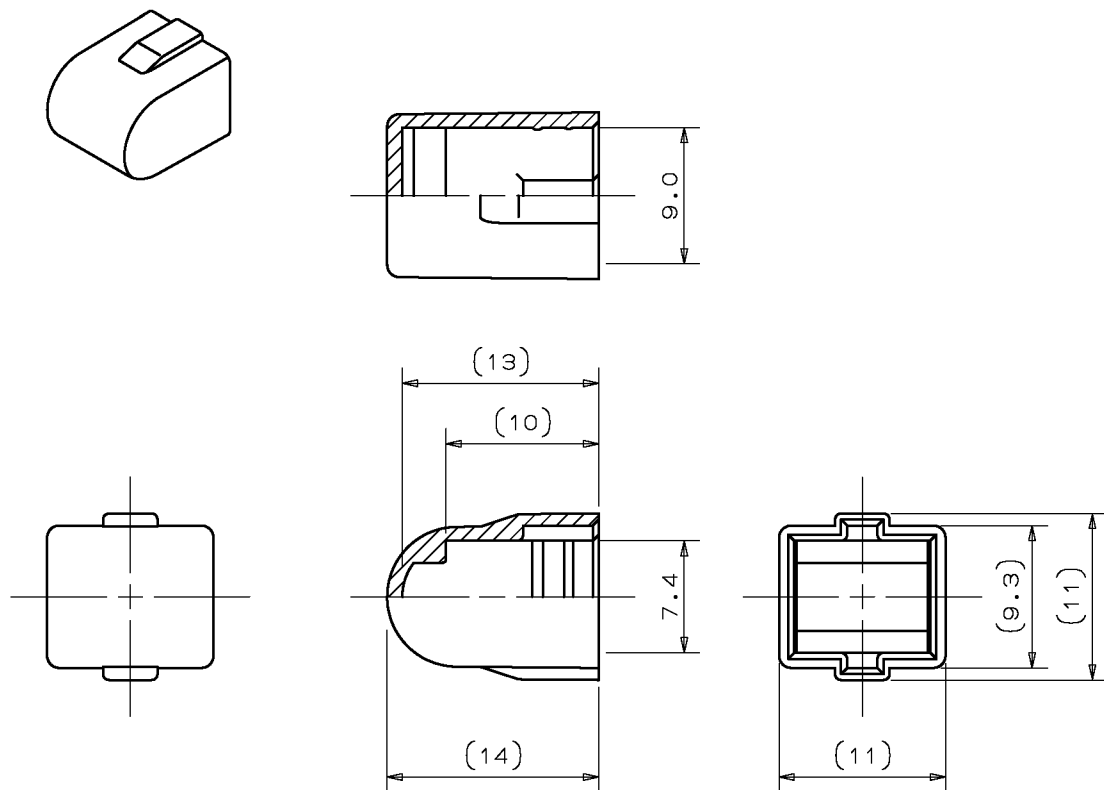
Unit: mm

Figure 7 ④-2 Stop Ring (Metal)



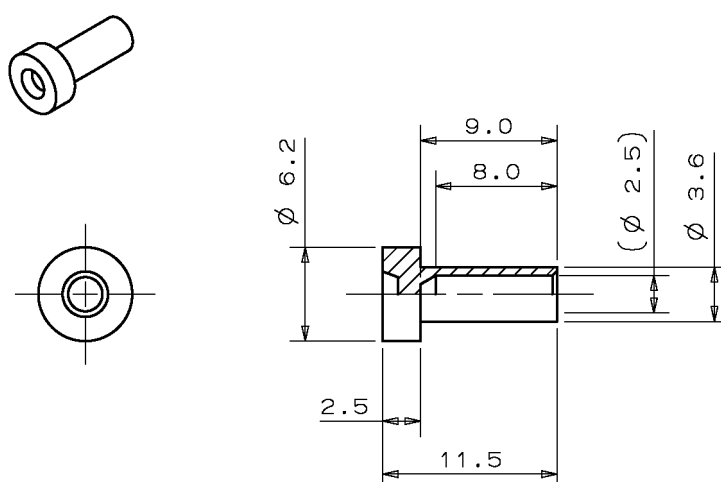
Unit: mm

Figure 8 ⑤ Boot (Rubber Boot)



Unit: mm

Figure 9 ⑥-1 Cap (Grip Cap)



Unit: mm

Figure 10 ⑥-2 Cap (Ferrule Cap)

