

SSC-PN4 Series

SC HOUSING

- for Angled-PC, \varnothing 2.4 mm cord -

TECHNICAL SPECIFICATIONS



SEIKOH GIKEN Co.,Ltd.

Fiber Optic Products Division

296-1, MATSUHIDAI, MATSUDO-SHI,
CHIBA, 270-2214 JAPAN.

TEL: +81-47-388-6111 FAX: +81-47-388-4477

**SSC-PN4 Series SC HOUSING - for Angled-PC, ø 2.4 mm cord -
TECHNICAL SPECIFICATIONS**

ACD-1NBK-01	December	2001
S05-H015-01E	July	2006
S05-H015-02E	November	2006
S05-H115-02E	March	2011

Copyright © 2001 - 2011 by **SEIKOH GIKEN Co.,Ltd.**
All right reserved.

The information contained herein shall not be reproduced or disclosed to any third party without the express written consent of SEIKOH GIKEN Co., Ltd. The specifications and materials contained herein are subject to change without notice.

Please address any questions, comments, and suggestions to:

SEIKOH GIKEN USA, Inc.

4405 International Blvd., Suite B109
Norcross, GA 30093 U.S.A.
TEL: +1-770-279-6602
FAX: +1-770-279-8839

SEIKOH GIKEN Europe GmbH

Siemensstrasse 9
D-63263 Neu-Isenburg, Germany
TEL: +49-6102-297-701
FAX: +49-6102-297-750

SEIKOH GIKEN Hangzhou Co.,Ltd.

526 Binkang Road Binjiang District, Hangzhou,
Zhejiang, China 310052, P.R. China
TEL: +86-571-8777-4098
FAX: +86-571-8777-4099

TABLE OF CONTENTS

Section		Page
1	SCOPE	1
2	PART NUMBER	1
3	GENERAL SPECIFICATIONS	2
	3.1 Parts and Materials	2
	3.2 Physical Dimensions	2
	3.3 General Tolerance	2
	3.4 Appearance	3
4	PACKING	3
5	IDENTIFICATION	3
6	HANDLING AND CARE	3
	6.1 Conditions of Storage	3
	6.2 Precautions of Use	3
	6.3 Disposal	3

Table

Table 1	Part Number	1
Table 2	Parts and Materials	2
Table 3	General Tolerance	3

Figure

Figure 1	SSC-PN4 Series Housing	4
Figure 2 to 12	Dimensions of Parts	5 to 10




1. SCOPE

These specifications apply to the SSC-PN4 series SC housing - for angled-PC, ø 2.4 mm cord - supplied by SEIKOH GIKEN Co., Ltd.

2. PART NUMBER

Part number of the housing is shown in Table 1.

Table 1 Part Number

MODEL Number	TYPE Number																									
SSC-PN4	8	A	1	G	3	0	2	G																		
<table border="1"> <tr><td colspan="2">Boot Color</td></tr> <tr><td>8</td><td>Green</td></tr> </table>		Boot Color		8	Green					<table border="1"> <tr><td colspan="2">Auxiliary digit</td></tr> <tr><td>0</td><td>2 G</td></tr> </table>		Auxiliary digit		0	2 G											
Boot Color																										
8	Green																									
Auxiliary digit																										
0	2 G																									
<table border="1"> <tr><td colspan="2">Boot I.D. [mm]</td></tr> <tr><td>A</td><td>for ø 2.4 cord (Plastic)</td></tr> </table>		Boot I.D. [mm]		A	for ø 2.4 cord (Plastic)			<table border="1"> <tr><td colspan="2">Package</td></tr> <tr><td>3</td><td>Bulk Package</td></tr> </table>		Package		3	Bulk Package													
Boot I.D. [mm]																										
A	for ø 2.4 cord (Plastic)																									
Package																										
3	Bulk Package																									
		<table border="1"> <tr><td colspan="2">Marking of Grip</td></tr> <tr><td>1</td><td> / SSC-P</td></tr> </table>		Marking of Grip		1	 / SSC-P			<table border="1"> <tr><td colspan="2">Cap</td></tr> <tr><td>0</td><td>No Cap</td></tr> <tr><td>B</td><td>Green Ferrule Cap</td></tr> <tr><td>C</td><td>Black Frame Cap</td></tr> <tr><td>D</td><td>Black Frame Cap + Black String</td></tr> <tr><td>G</td><td>Green Grip Cap</td></tr> </table>		Cap		0	No Cap	B	Green Ferrule Cap	C	Black Frame Cap	D	Black Frame Cap + Black String	G	Green Grip Cap			
Marking of Grip																										
1	 / SSC-P																									
Cap																										
0	No Cap																									
B	Green Ferrule Cap																									
C	Black Frame Cap																									
D	Black Frame Cap + Black String																									
G	Green Grip Cap																									

Please contact us for availability of other specifications.

3 GENERAL SPECIFICATIONS

3.1 Parts and Materials

Parts and the materials are shown in Table 2.

Table 2 Parts and Materials

Item	Part Name	Qty	Material	Notes
①	Grip	1	PBT GF	Green, Flammability UL94 V-0
②	Plug Frame	1	PBT GF	White, Flammability UL94 V-0
③	Spring	1	Stainless Steel	-
④	Stop Ring	1	Brass	Nickel Plating
⑤	Crimping Ring	1	Aluminum Alloy	-
⑥	Ring	1	Stainless Steel	-
⑦	Boot	1	TPEE	Green, Flammability UL94 V-0
⑧-1	Cap	1	TPEE	Grip Cap Green, Flammability UL94 V-0
⑧-2			PP	Ferrule Cap, Green
⑧-3			PA	Frame Cap, Black
⑨	String ^{Note 2}	1	TPU	Black

Notes: 1 Item on Table 2 corresponds to the item reference number on Figure 1 to 12.

2 ⑨String is included only when using with ⑧-3 Frame Cap.

3.2 Physical Dimensions

Figure 1 shows the SSC-PN4 series housing.

Figure 2 to 12 show the dimensions of the parts.

- In accordance with IEC 61754-4 Type SC connector family.
- In accordance with JIS C 5973 F04 Type connectors.

3.3 General Tolerances

Permissible deviation in dimensions without tolerance indication is in accordance with ISO 2768-m (JIS B 0405-m), as shown in Table 3.

Table 3 General Tolerance (ISO 2768-m)

Basic size step [mm]		Permissible deviation [mm]
Over	Under	
0.5	3	±0.1
3	6	±0.1
6	30	±0.2
30	120	±0.3

3.4 Appearance

There should be no burr, peeling of plating or scratches that affect the product.

4 PACKING

The product is packed to prevent damage during shipment.

5 IDENTIFICATION

Identification label should indicate the part number and the lot number of the product(s) and should be permanently attached to the packing bag.

6 HANDLING AND CARE

6.1 Conditions of Storage

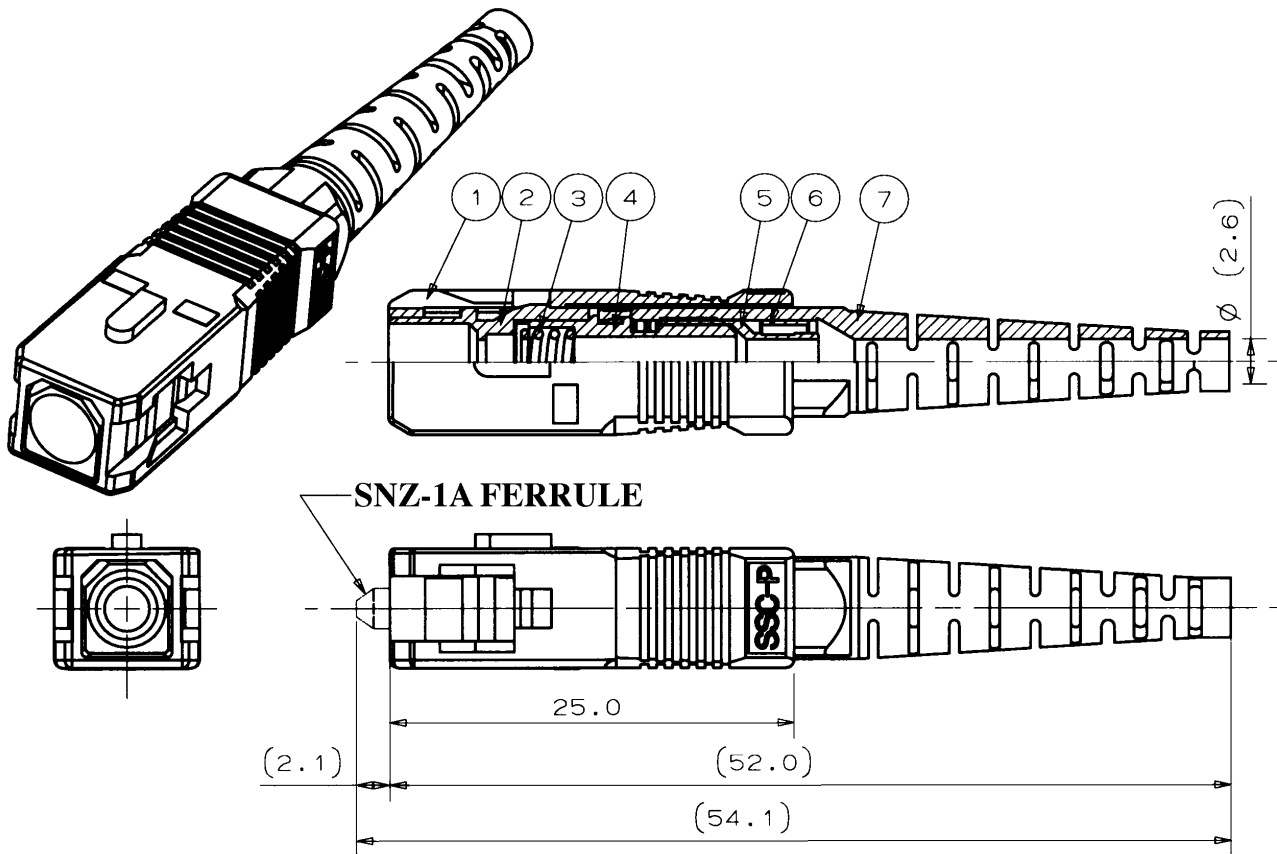
For storage of the product, keep in the packing bag and keep away from corrosive gas, high-temperature and humidity, extreme-low temperature and direct sunlight.

6.2 Precautions for Use

Contamination, oil, sweat and others debris on the ferrule end face may influence the performance of the product. If contamination is on the ferrule end face, wipe the end face with the end face cleaner.

6.3 Disposal

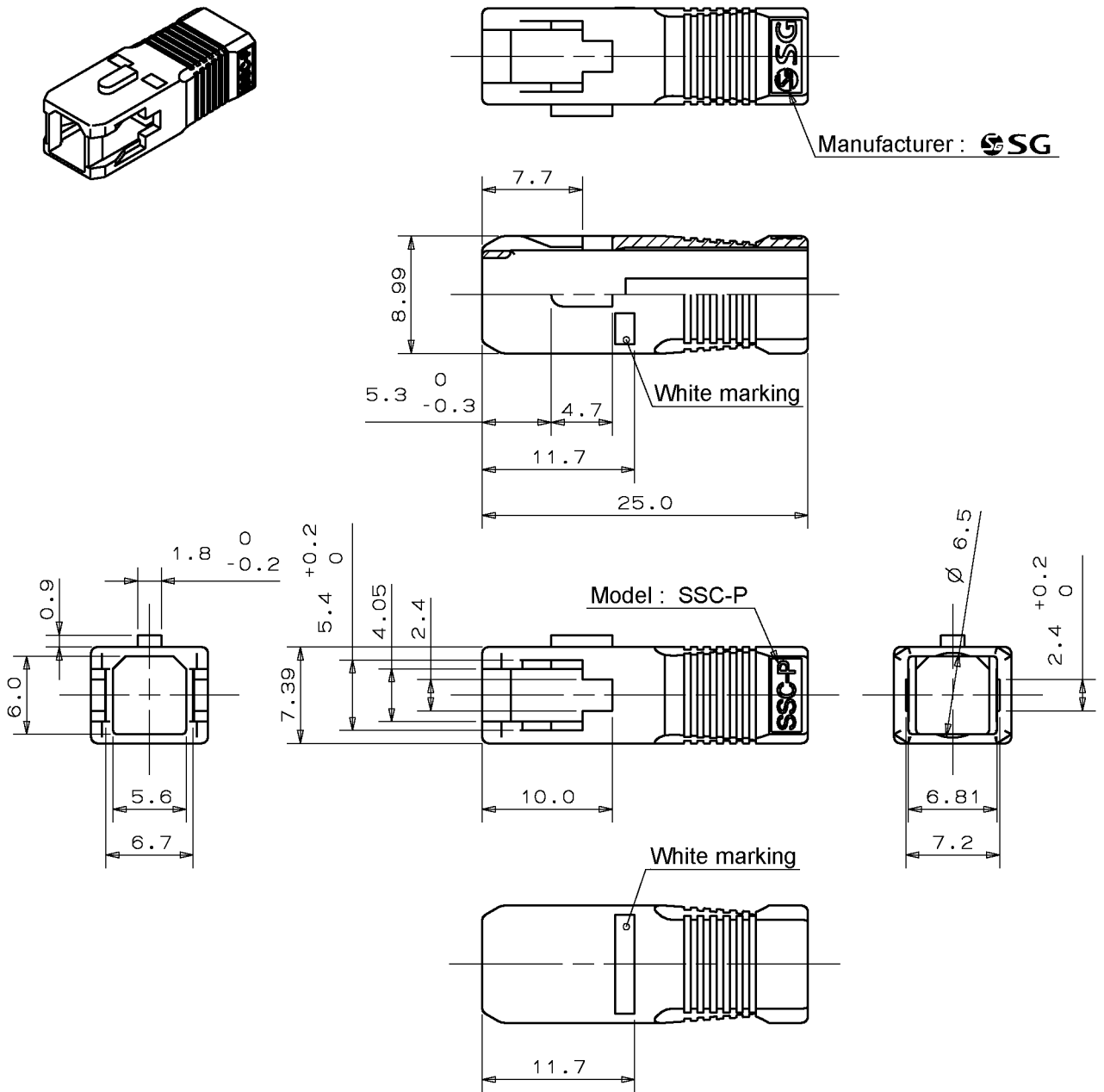
When discarding this product, please follow the regulations of your own country.



- Notes: 1 This drawing shows the tentatively assembled condition including a ferrule. On practical shipment of SSC-PN4 housing, this tentative assembly is not available.
- 2 This drawing does not include the cap.
- 3 The ferrule is not included in SSC-PN4 housing.

Unit: mm

Figure 1 SSC-PN4 Series Housing



Unit: mm

Figure 2 ①Grip

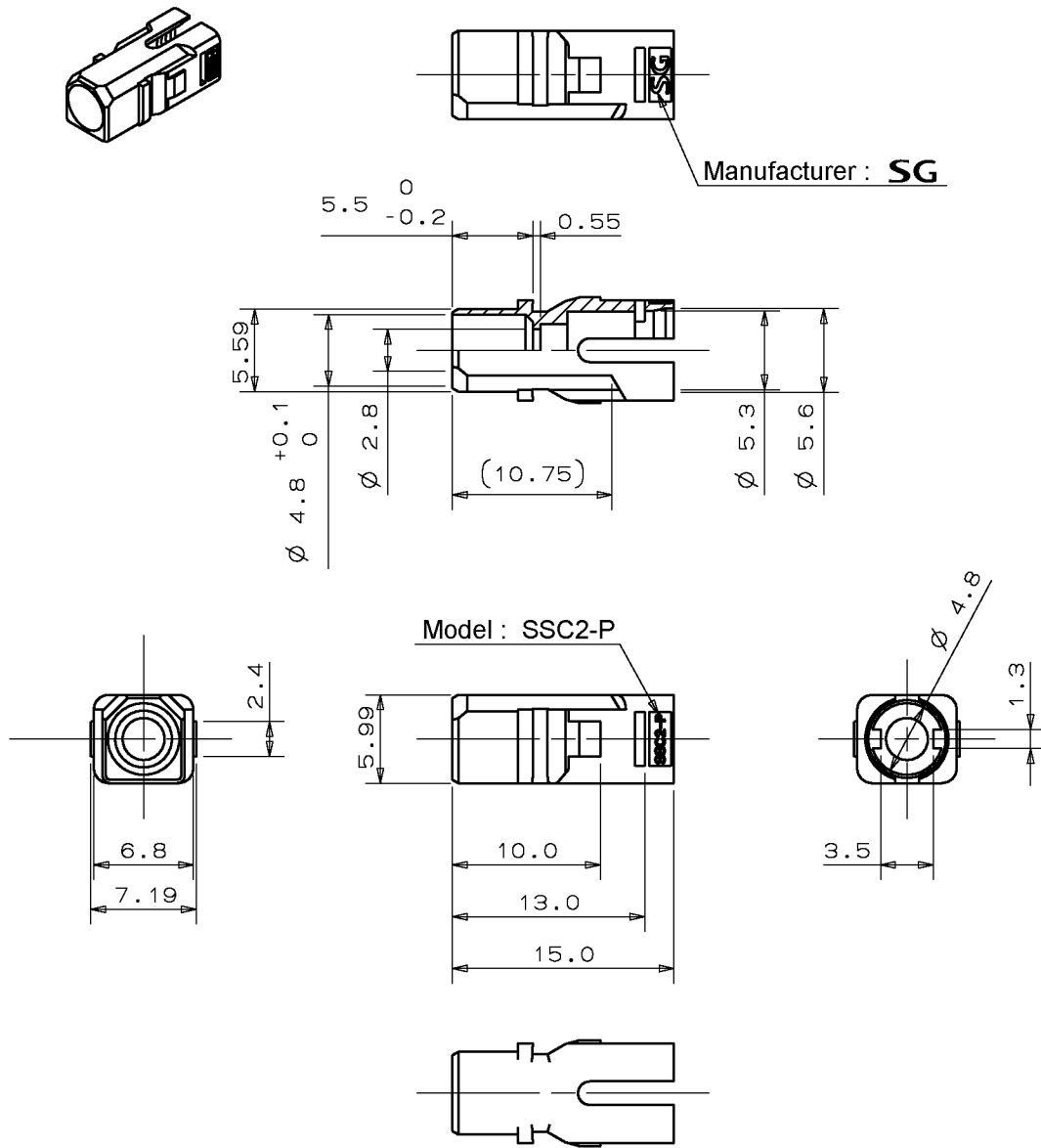
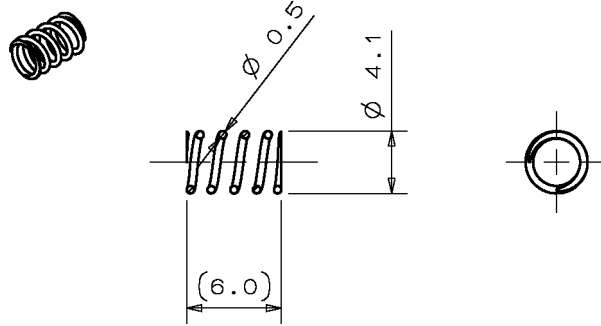
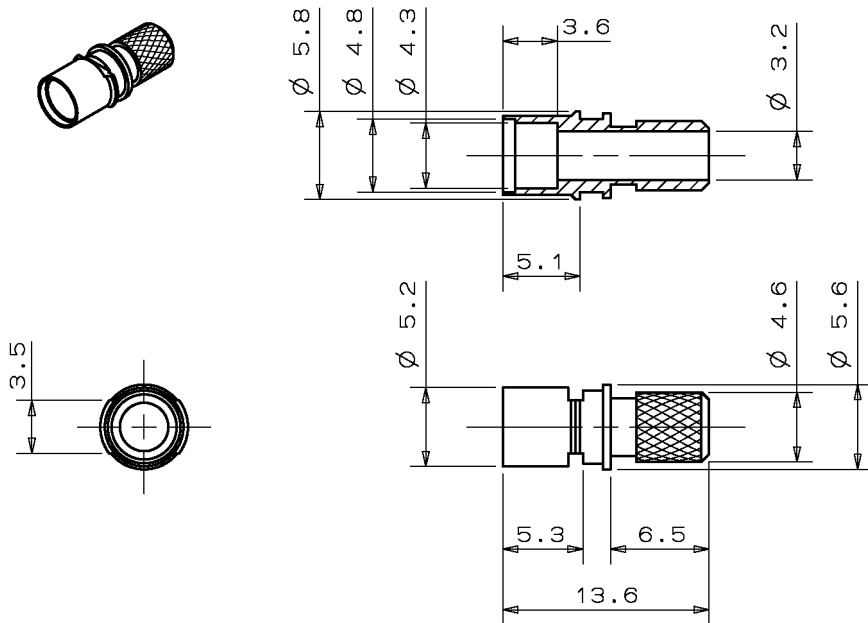


Figure 3 ②Plug Frame



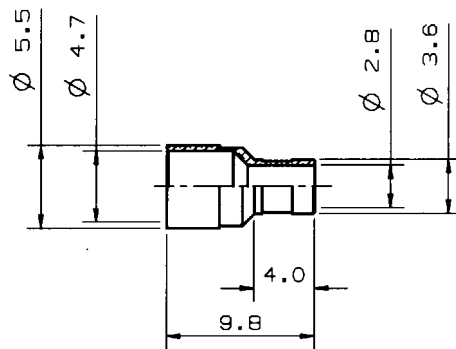
Unit: mm

Figure 4 ③Spring



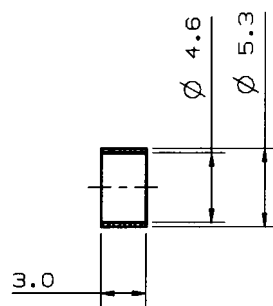
Unit: mm

Figure 5 ④Stop Ring



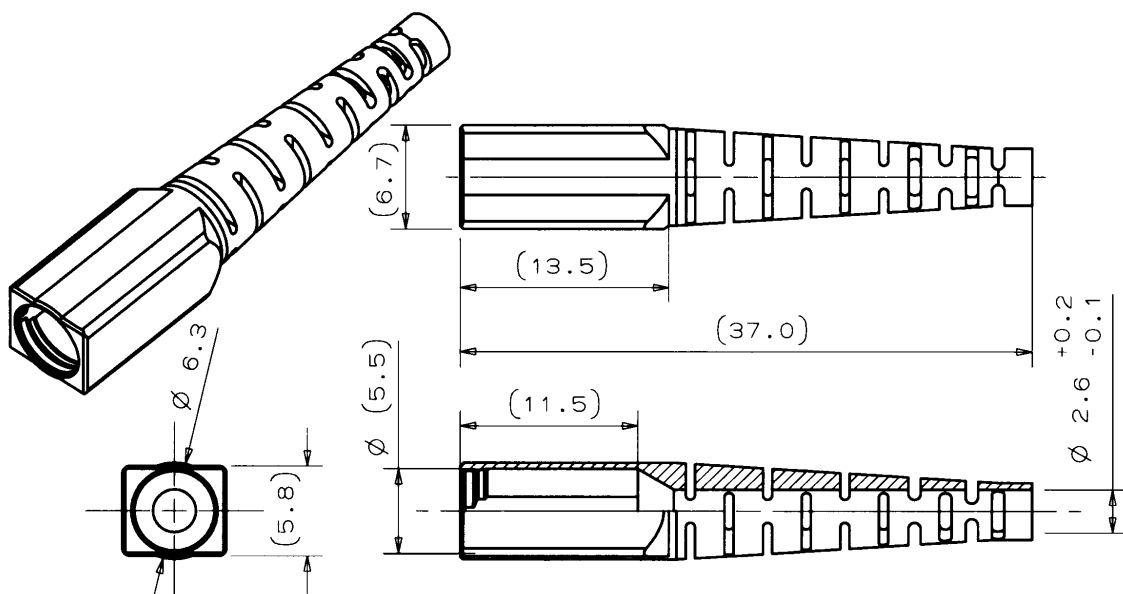
Unit: mm

Figure 6 ⑤Crimping Ring



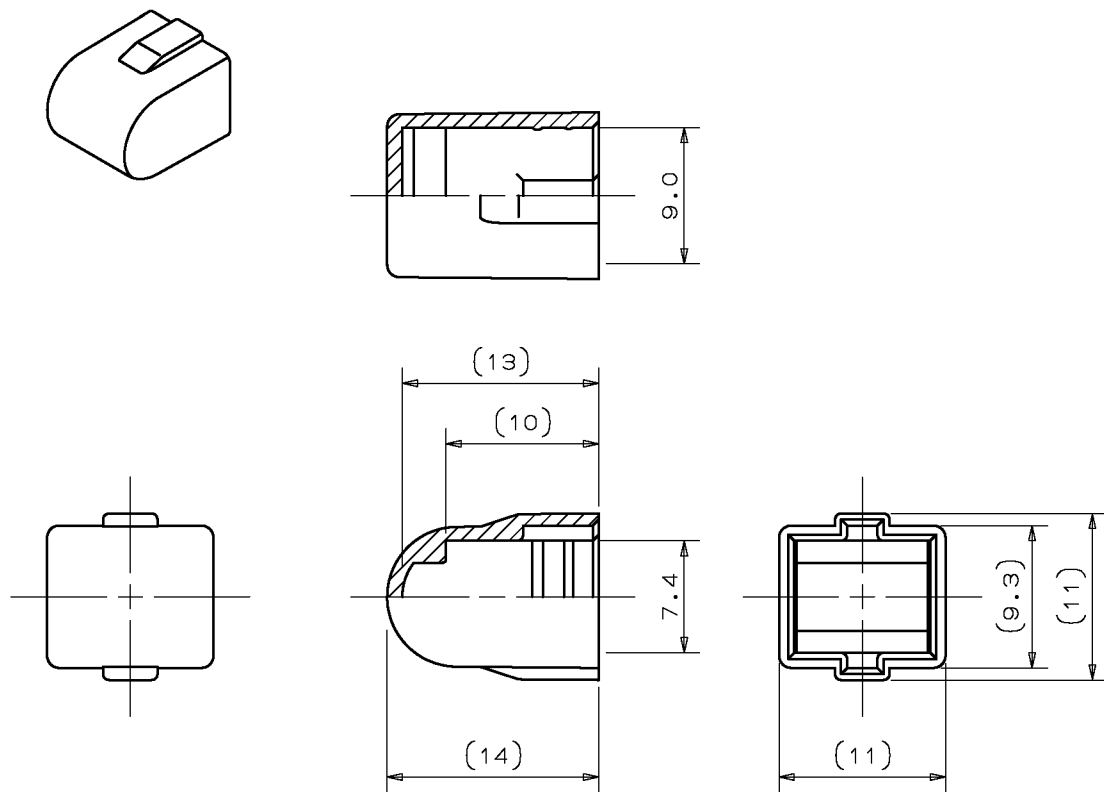
Unit: mm

Figure 7 ⑥Ring



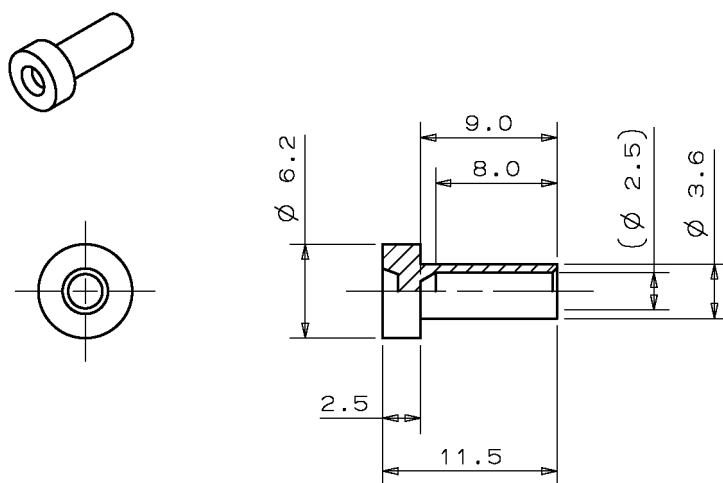
Unit: mm

Figure 8 ⑦Boot



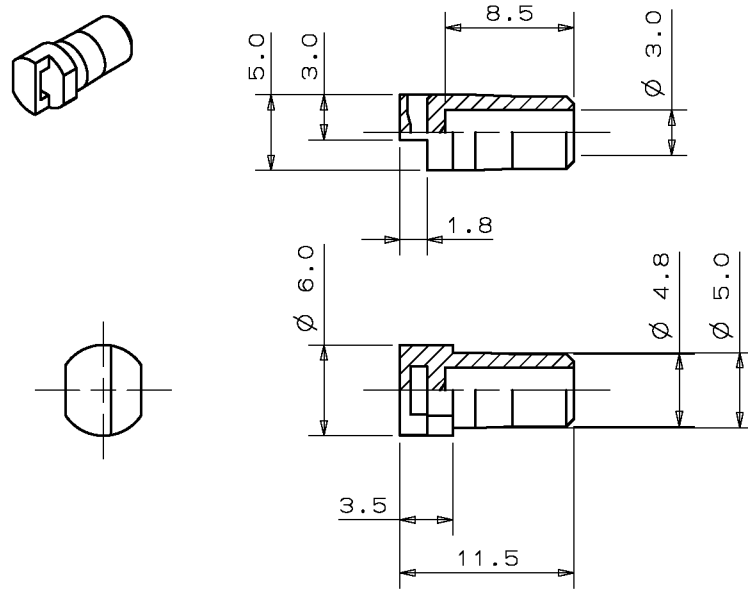
Unit: mm

Figure 9 ⑧-1 Cap (Grip Cap)



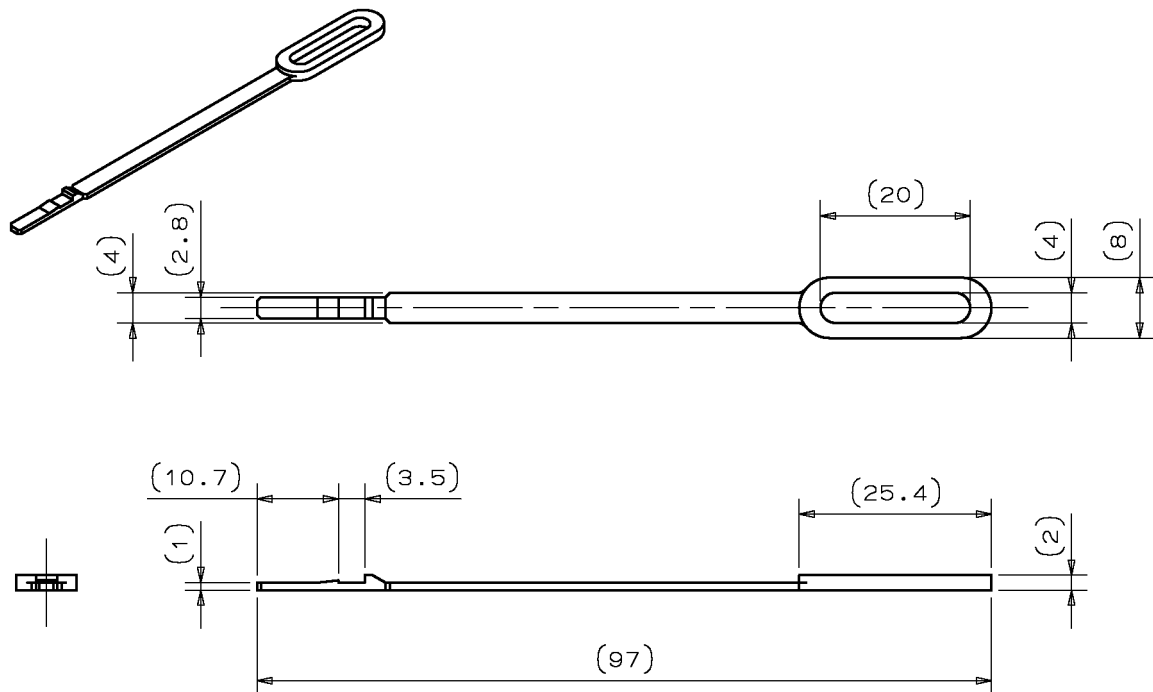
Unit: mm

Figure 10 ⑧-2 Cap (Ferrule Cap)



Unit: mm

Figure 11 ㊸-3 Cap (Frame Cap)



Unit: mm

Figure 12 ㊸String (for Frame Cap)