

# **SNA-6 Series**

## **FC ADAPTOR**

- Oval flange, for Angled-PC -

### **TECHNICAL SPECIFICATIONS**



**SEIKOH GIKEN Co.,Ltd.**  
296-1, MATSUHIDAI, MATSUDO-SHI,  
CHIBA, 270-2214 JAPAN.  
TEL: +81-47-388-6111 FAX: +81-47-388-4477

SNA-6 Series FC ADAPTOR – Oval flange, for Angled-PC –  
TECHNICAL SPECIFICATIONS

|              |          |      |
|--------------|----------|------|
| S04-011-0    | June     | 1995 |
| S04-011-1    | June     | 1997 |
| S04-H027-01E | October  | 2006 |
| S04-H027-02E | July     | 2007 |
| S04-H027-03E | February | 2010 |
| S04-H027-04E | April    | 2010 |
| S04-H027-05E | February | 2021 |

Copyright © 1995 - 2021 by **SEIKOH GIKEN Co.,Ltd.**  
All right reserved.

The information contained herein shall not be reproduced or disclosed to any third party without the express written consent of SEIKOH GIKEN Co., Ltd.  
The specifications contained herein are subject to change without notice.

Please address any questions, comments and suggestions to:

**SEIKOH GIKEN USA, Inc.**

4405 International Blvd., Suite B109  
Norcross, GA 30093 U.S.A.  
TEL: +1-770-279-6602  
FAX: +1-770-279-8839

**SEIKOH GIKEN Europe GmbH**

Siemensstrasse 9  
D-63263 Neu-Isenburg, Germany  
TEL: +49-6102-297-701  
FAX: +49-6102-297-750

**SEIKOH GIKEN Hangzhou Co.,Ltd.**

526 Binkang Road Binjiang District, Hangzhou,  
Zhejiang, China 310052, P.R. China  
TEL: +86-571-8777-4098  
FAX: +86-571-8777-4099

## TABLE OF CONTENTS

| Section.....                           | Page |
|--|------|
| 1 SCOPE.....                           | 1    |
| 2 PART NUMBER.....                     | 1    |
| 3 GENERAL SPECIFICATIONS.....          | 2    |
| 3.1 Parts and Materials.....           | 2    |
| 3.2 Physical Dimensions.....           | 2    |
| 3.3 General Tolerances.....            | 2    |
| 3.4 Insertion Loss.....                | 3    |
| 3.5 Appearance.....                    | 3    |
| 4 FEATURE.....                         | 4    |
| 4.1 Mechanical Characteristics.....    | 4    |
| 4.2 Environmental Characteristics..... | 4    |
| 5 PACKING.....                         | 5    |
| 6 IDENTIFICATION.....                  | 5    |
| 7 HANDLING AND CARE.....               | 5    |
| 7.1 Conditions of Storage.....         | 5    |
| 7.2 Precautions for Use.....           | 5    |
| 7.3 Disposal.....                      | 5    |

- Table -

|  |   |
|--|---|
| Table 1 Part Number.....                               | 1 |
| Table 2 Parts and Materials.....                       | 2 |
| Table 3 General Tolerance (ISO 2768-m).....            | 2 |
| Table 4 Insertion Loss and Measurement Conditions..... | 3 |
| Table 5 Mechanical characteristics.....                | 4 |
| Table 6 Environmental characteristics.....             | 4 |

- Figure -

|  |   |
|--|---|
| Figure 1 Insertion Loss Measurement System.....              | 3 |
| Figure 2 SNA-6 Series Adaptor ( Narrow Key - R-type - )..... | 6 |
| Figure 3 ④Cap.....   | 6 |

BLANK PAGE

## 1 SCOPE

These specifications apply to the SNA-6 series FC adaptor – Oval flange, for Angled-PC - supplied by SEIKOH GIKEN Co., Ltd.

## 2 PART NUMBER

Part number of the adaptor is shown in Table 1.

Table 1 Part Number

| MODEL Number              | TYPE Number  |          |             |                      |          |          |   |  |                 |                           |
|---------------------------|--|----------|-------------|----------------------|----------|----------|---|--|-----------------|---------------------------|
| <b>SNA-6</b>              | <b>2</b>   | <b>1</b> | <b>4</b>    | <b>K</b>             | <b>0</b> | <b>G</b> |   |  |                 |                           |
|                           | <table border="1"> <tr><th>Slit Sleeve</th></tr> <tr><td>2   Zirconia</td></tr> </table> |          | Slit Sleeve | 2   Zirconia         |          |          | <table border="1"> <tr><th>Auxiliary Digit</th></tr> <tr><td>0 G</td></tr> </table>                     |  | Auxiliary Digit | 0 G                       |
| Slit Sleeve               |  |          |             |                      |          |          |   |  |                 |                           |
| 2   Zirconia              |  |          |             |                      |          |          |   |  |                 |                           |
| Auxiliary Digit           |  |          |             |                      |          |          |   |  |                 |                           |
| 0 G                       |  |          |             |                      |          |          |   |  |                 |                           |
|                           | <table border="1"> <tr><th>Marking</th></tr> <tr><td>1   No marking</td></tr> </table>   |          | Marking     | 1   No marking       |          |          | <table border="1"> <tr><th>Specification</th></tr> <tr><td>K   Narrow key - R-type -</td></tr> </table> |  | Specification   | K   Narrow key - R-type - |
| Marking                   |  |          |             |                      |          |          |   |  |                 |                           |
| 1   No marking            |  |          |             |                      |          |          |   |  |                 |                           |
| Specification             |  |          |             |                      |          |          |   |  |                 |                           |
| K   Narrow key - R-type - |  |          |             |                      |          |          |   |  |                 |                           |
|                           | <table border="1"> <tr><th>Cap</th></tr> <tr><td>4   Green rubber cap</td></tr> </table> |          | Cap         | 4   Green rubber cap |          |          |   |  |                 |                           |
| Cap                       |  |          |             |                      |          |          |   |  |                 |                           |
| 4   Green rubber cap      |  |          |             |                      |          |          |   |  |                 |                           |

Please contact us for other specifications.

### 3 GENERAL SPECIFICATIONS

#### 3.1 Parts and Materials

Parts and materials are shown in Table 2.

Table 2 Parts and Materials

| No. | Part Name     | Qty | Material          | Notes             |
|-----|---------------|-----|-------------------|-------------------|
| ①   | Slit sleeve   | 1   | Zirconia ceramics | -                 |
| ②   | Housing       | 1   | Brass             | Nickel plating    |
| ③   | Sleeve holder | 1   | Brass             | Nickel plating    |
| ④   | Cap           | 2   | Silicone          | Rubber cap, Green |

Note: Item on Table 2 corresponds to the item reference number on Figure 2 to 3.

#### 3.2 Physical Dimensions

Figure 2 shows the SNA-6 series adaptor.

Figure 3 shows the part dimensions.

- In accordance with IEC 61754-13 Type FC-PC connector family.
- In accordance with JIS C 5970 F01 Type connectors.

Note: Except the width of the key due to no FC Angled-PC specified by IEC.

#### 3.3 General Tolerances

Permissible deviation in dimensions without tolerance indication is in accordance with ISO 2768-m (JIS B 0405-m), as shown in Table 3.

Table 3 General Tolerance (ISO 2768-m)

| Basic size step [mm] |       | Permissible deviation [mm] |
|----------------------|-------|----------------------------|
| Over                 | Under |                            |
| 0.5                  | 3     | ±0.1                       |
| 3                    | 6     | ±0.1                       |
| 6                    | 30    | ±0.2                       |
| 30                   | 120   | ±0.3                       |

### 3.4 Insertion Loss

Insertion loss of the adaptor and measurement conditions are shown in Table 4.  
Figure 1 shows the measurement system.

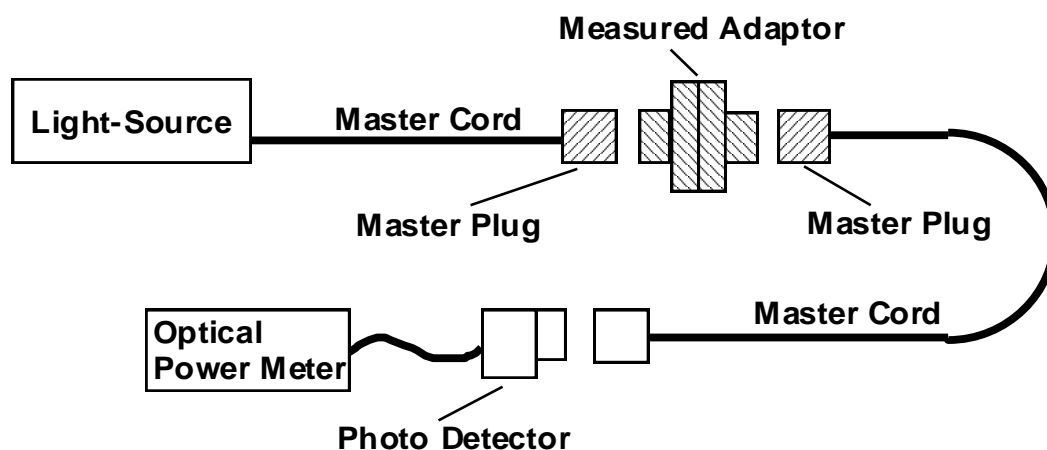


Figure 1 Insertion Loss Measurement System

Table 4 Insertion Loss and Measurement Conditions

|                |                  |                    |
|----------------|------------------|--------------------|
| Part Number    |                  | SNA-6 214K0G       |
| Insertion Loss |                  | 0.2 dB or less     |
| Conditions     | Light Source     | LD                 |
|                | Wave Length      | 1.31 $\mu\text{m}$ |
|                | Applicable Fiber | Single mode        |
|                | Master Cord Type | Angled-PC          |

### 3.5 Appearance

There shall be no burrs or scratches that affect the product.

## 4 FEATURE

### 4.1 Mechanical Characteristics

Mechanical characteristics are shown in table 5.

Table 5 Mechanical characteristics

| Test item                              | Conditions        |  | Characteristics           |
|--|-------------------|--|---------------------------|
| Vibration                              | IEC<br>61300-2-1  | Frequency: 10 to 55 Hz<br>Amplitude: 1.5 mm p-p<br>Direction: x, y, z axis<br>Duration: 30 min / direction | Insertion loss <=0.5dB    |
| Tensile strength of coupling mechanism | IEC<br>61300-2-6  | Tensile load: 147N(15kgf)  |                           |
| Ferrule withdrawal force               | IEC<br>61300-3-33 | Gauge : 2.499+/-0.0005mm   | 2.9 ~ 5.9N (0.3 ~ 0.6kgf) |
| Mating durability                      | IEC<br>61300-2-2  | 500 times  | Insertion loss <=0.5dB    |

### 4.2 Environmental Characteristics

Environmental characteristics are shown in table 6.

Table 6 Environmental characteristics

| Test item                       | Conditions               |   | Characteristics        |
|---------------------------------|--------------------------|---|------------------------|
| Change of temperature           | IEC<br>61300-2-22        | -40 to +85 °C,<br>10 cycles                   | Insertion loss <=0.5dB |
| Dry heat                        | IEC<br>61300-2-18        | +85 °C, 240 hr                                |                        |
| Cold                            | IEC<br>61300-2-17        | -40 °C, 240 hr                                |                        |
| Humidity / condensation cycling | Telcordia<br>GR-326-CORE | -10 to +65 °C,<br>90 to 100 %RH,<br>14 cycles |                        |



## 5 PACKING

The product is packed to prevent damage during shipment.

## 6 IDENTIFICATION

Identification label should indicate the part number and lot number of the product(s) and should be permanently attached to the packing bag.

## 7 HANDLING AND CARE

### 7.1 Conditions of Storage

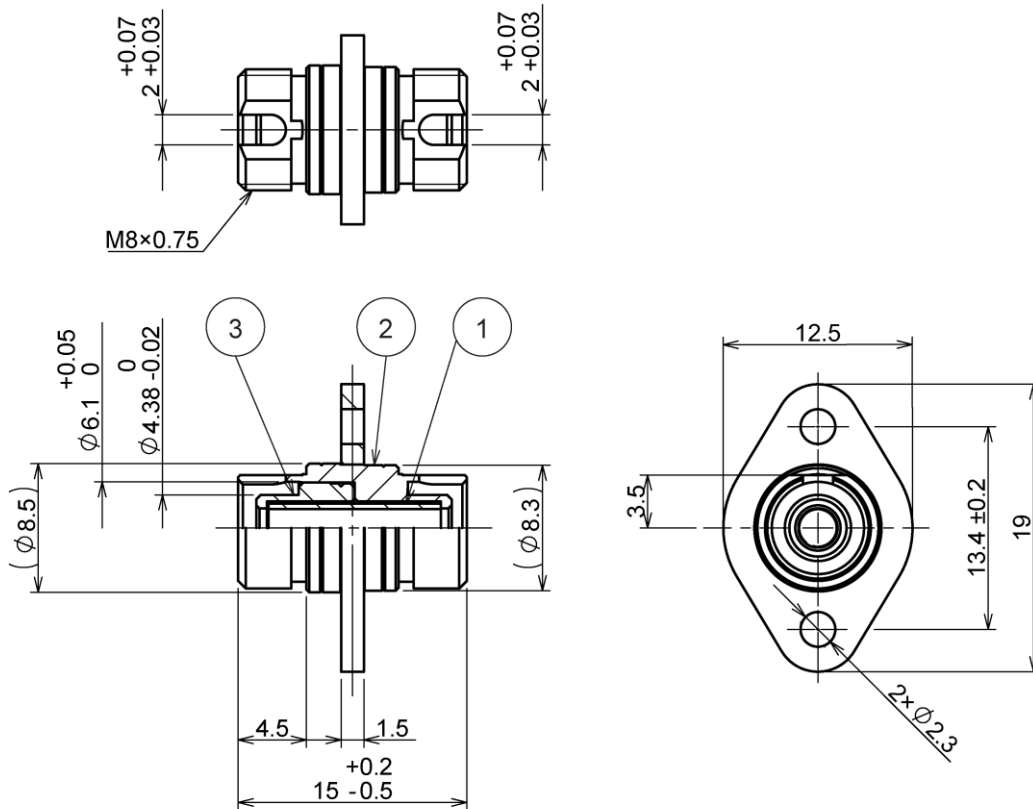
For storage of the product, keep in the packing bag and keep away from corrosive gas, high-temperature and humidity, extreme-low temperature and direct sunlight.

### 7.2 Precautions for Use

Contamination, oil, sweat and others debris on the inside of the slit sleeve may influence the performance of the product. If contamination is on the inside of the slit sleeve, clean the inside before connecting.

### 7.3 Disposal

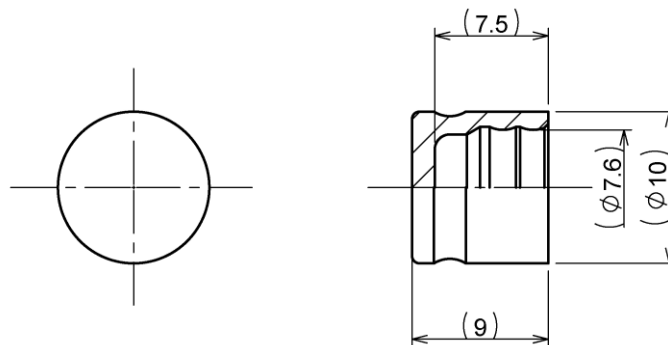
When discarding this product, please follow the regulations of your own country.



Note: This drawing does not include the cap

Unit: mm

Figure 2 SNA-6 Series Adaptor ( Narrow Key - R-type - )



Unit: mm

Figure 3 ④Cap