

**SLCFP-2AN4 Series**  
**LC DUPLEX ADAPTOR**  
**for Angled-PC**  
- SC-Footprint Short Flange Type -  
**TECHNICAL SPECIFICATIONS**



**SEIKOH GIKEN Co.,Ltd.**  
296-1, MATSUHIDAI, MATSUDO-SHI,  
CHIBA, 270-2214 JAPAN.  
TEL: +81-47-388-6111 FAX: +81-47-388-4477

**SLCFP-2AN4 Series LC DUPLEX ADAPTOR for Angled-PC**  
**- SC-Footprint Short Flange Type -**  
**TECHNICAL SPECIFICATIONS**

S04-H045-01E	August	2010
S04-H045-02E	March	2014
S04-H045-03E	October	2017

Copyright © 2010 - 2017 by **SEIKOH GIKEN Co.,Ltd.**  
All right reserved.

The information contained herein shall not be reproduced or disclosed to any third party without the express written consent of SEIKOH GIKEN Co., Ltd. The specifications and materials contained herein are subject to change without notice.

Please address any questions, comments, and suggestions to:

**SEIKOH GIKEN USA, Inc.**

4405 International Blvd., Suite B109  
Norcross, GA 30093 U.S.A.  
TEL: +1-770-279-6602  
FAX: +1-770-279-8839

**SEIKOH GIKEN Europe GmbH**

Siemensstrasse 9  
D-63263 Neu-Isenburg, Germany  
TEL: +49-6102-297-700  
FAX: +49-6102-297-750

**SEIKOH GIKEN Hangzhou Co.,Ltd.**

526 Binkang Road Binjiang District, Hangzhou,  
Zhejiang, China 310052, P.R. China  
TEL: +86-571-8777-4098  
FAX: +86-571-8777-4099

## TABLE OF CONTENTS

Section	Page
1 SCOPE.....	1
2 PART NUMBER.....	1
3 GENERAL SPECIFICATIONS.....	2
3.1 Parts and Materials.....	2
3.2 Physical Dimensions .....	2
3.3 General Tolerances.....	2
3.4 Insertion Loss .....	2
3.5 Appearance .....	3
4 PACKING.....	3
5 IDENTIFICATION.....	3
6 HANDLING AND CARE.....	4
6.1 Conditions of Storage .....	4
6.2 Precautions for Use.....	4
6.3 Disposal .....	4

### Table

Table 1 Part Number .....	1
Table 2 Parts and Materials.....	2
Table 3 General Tolerance (ISO 2768-m).....	2
Table 4 Insertion Loss and Measurement Conditions .....	3

### Figure

Figure 1 Insertion Loss Measurement System .....	3
Figure 2-1 SLCFP-2AN4 Series (Standard) Adaptor.....	5
Figure 2-2 SLCFP-2AN4 Series (With One Shutter) Adaptor.....	6
Figure 2-3 SLCFP-2AN4 Series (With One Shutter, Plate Side) Adaptor.....	7
Figure 3 ©Cap.....	8
Figure 4 Cut-hole Dimensions for Reference .....	8

BLANK PAGE


1 SCOPE

These specifications apply to the SLCFP-2AN4 series LC duplex adaptor for angled-PC - SC-footprint short flange type - supplied by SEIKOH GIKEN Co., Ltd.

2 PART NUMBER

Part number of the adaptor is shown in Table 1.

Table 1 Part Number

MODEL Number	TYPE Number					
<b>SLCFP-2AN4</b>	<b>2</b>	<b>2</b>	<b>7</b>	<b>0</b>	<b>1</b>	<b>G</b>
Slit Sleeve						Auxiliary digit
2	Zirconia					1 G
Marking						Specifications
2	 SG / SLCFP-2A					Plate
						Shutter
						0
						Opposed side
						None
						X
						Opposed side
						Logo mark side
						Y
						Logo mark side
						Logo mark side
						Cap
						7
						Black Grip Cap
						8
						Clear Grip Cap

Please contact us for availability of other specifications.

### 3 GENERAL SPECIFICATIONS

#### 3.1 Parts and Materials

Parts and materials are shown in Table 2.

Table 2 Parts and Materials

No.	Part Name	Qty	Material	Notes
①	Housing	1	PEI	Green, Flammability UL94 V-0
②	Split Sleeve	2	Zirconia Ceramics	-
③	Sleeve Holder	1	PEI	Flammability UL94 V-0
④	Plate	1	Stainless Steel	-
⑤	Shutter	1	Stainless Steel	-
⑥	Cap	4	PC	Flammability UL94 V-0

Note: Item on Table 2 complies with the item reference number on the accompanying drawings.

#### 3.2 Physical Dimensions

Figure 2 shows the SLCFP-2AN4 series adaptor.

Figure 3 shows the part dimensions.

- In accordance with IEC 61754-20 Type LC connector family.
- In accordance with JIS C 5964-20 Type LC connector family.

#### 3.3 General Tolerances

Permissible deviation in dimensions without tolerance indication is in accordance with ISO 2768-m (JIS B 0405-m), as shown in Table 3.

Table 3 General Tolerance (ISO 2768-m)

Basic size step [mm]		Permissible deviation [mm]
Over	Under	
0.5	3	±0.1
3	6	±0.1
6	30	±0.2
30	120	±0.3

#### 3.4 Insertion Loss

Insertion loss of the adaptor and measurement conditions are shown in Table 4.

Figure 1 shows the measurement system.

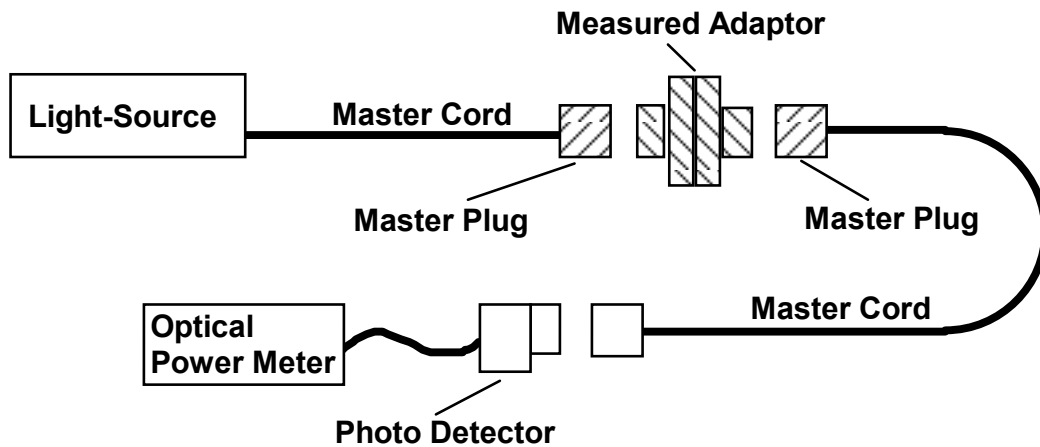


Figure 1 Insertion Loss Measurement System

Table 4 Insertion Loss and Measurement Conditions

Part Number		SLCFP-2AN4 22**1G
Insertion Loss		0.2 dB or less
Conditions	Light Source	LD
	Wave Length	1.31 $\mu\text{m}$
	Applicable Fiber	Single mode
	Master Cord Type	Angled-PC

### 3.5 Appearance

There shall be no burrs or scratches that affect the product.

## 4 PACKING

The product is packed to prevent damage during shipment.

## 5 IDENTIFICATION

Identification label should indicate the part number and the lot number of the product(s) and should be permanently attached to the packing bag.

## 6 HANDLING AND CARE

### 6.1 Conditions of Storage

For storage of the product, keep in the packing bag and keep away from corrosive gas, high-temperature and humidity, extreme-low temperature and direct sunlight.

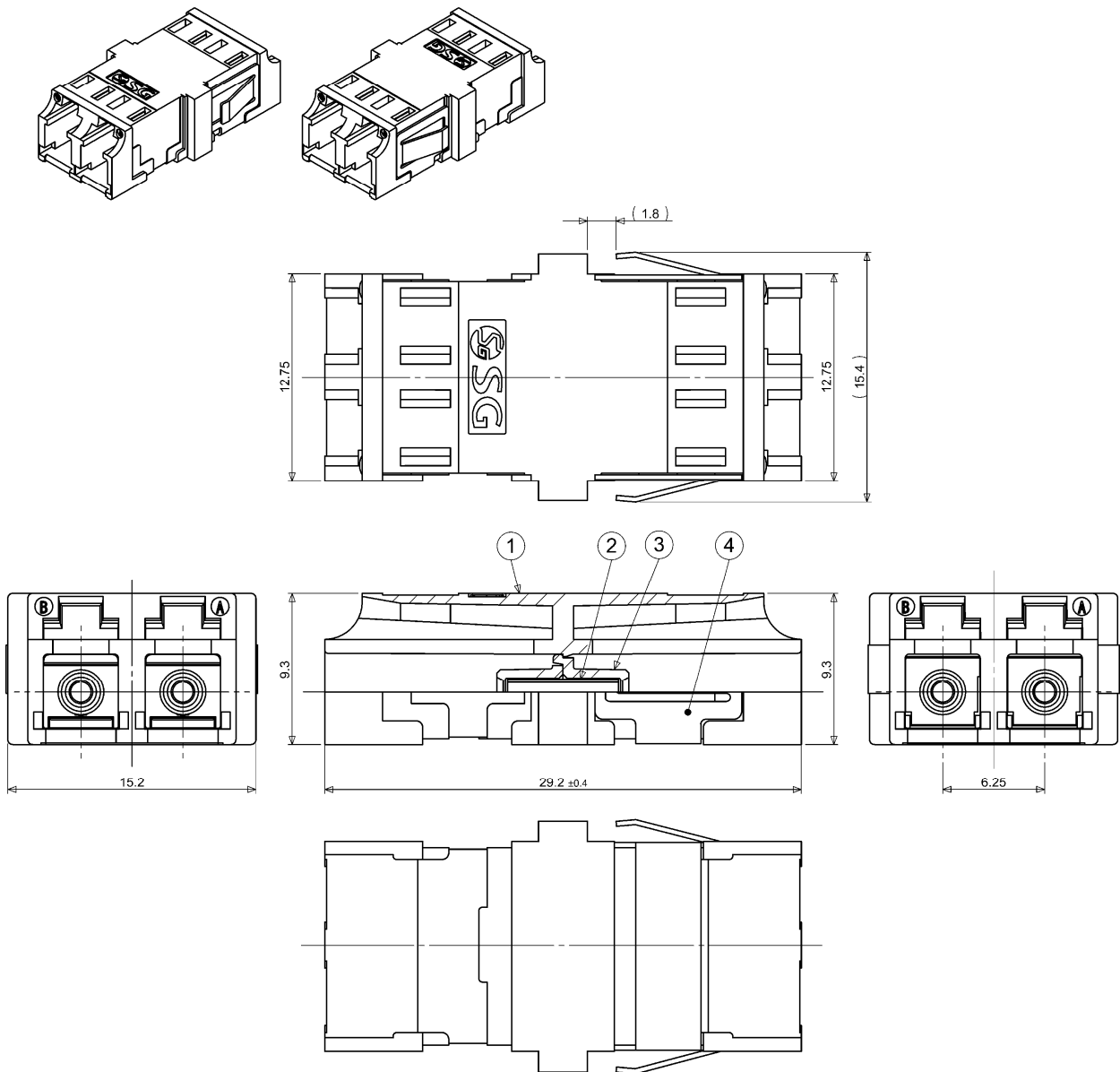
### 6.2 Precautions for Use

Contamination, oil, sweat and others debris on the inside of the slit sleeve may influence the performance of the product. If contamination is on the inside of the slit sleeve, clean the inside before connecting.

### 6.3 Disposal

When discarding this product, please follow the regulations of your own country.

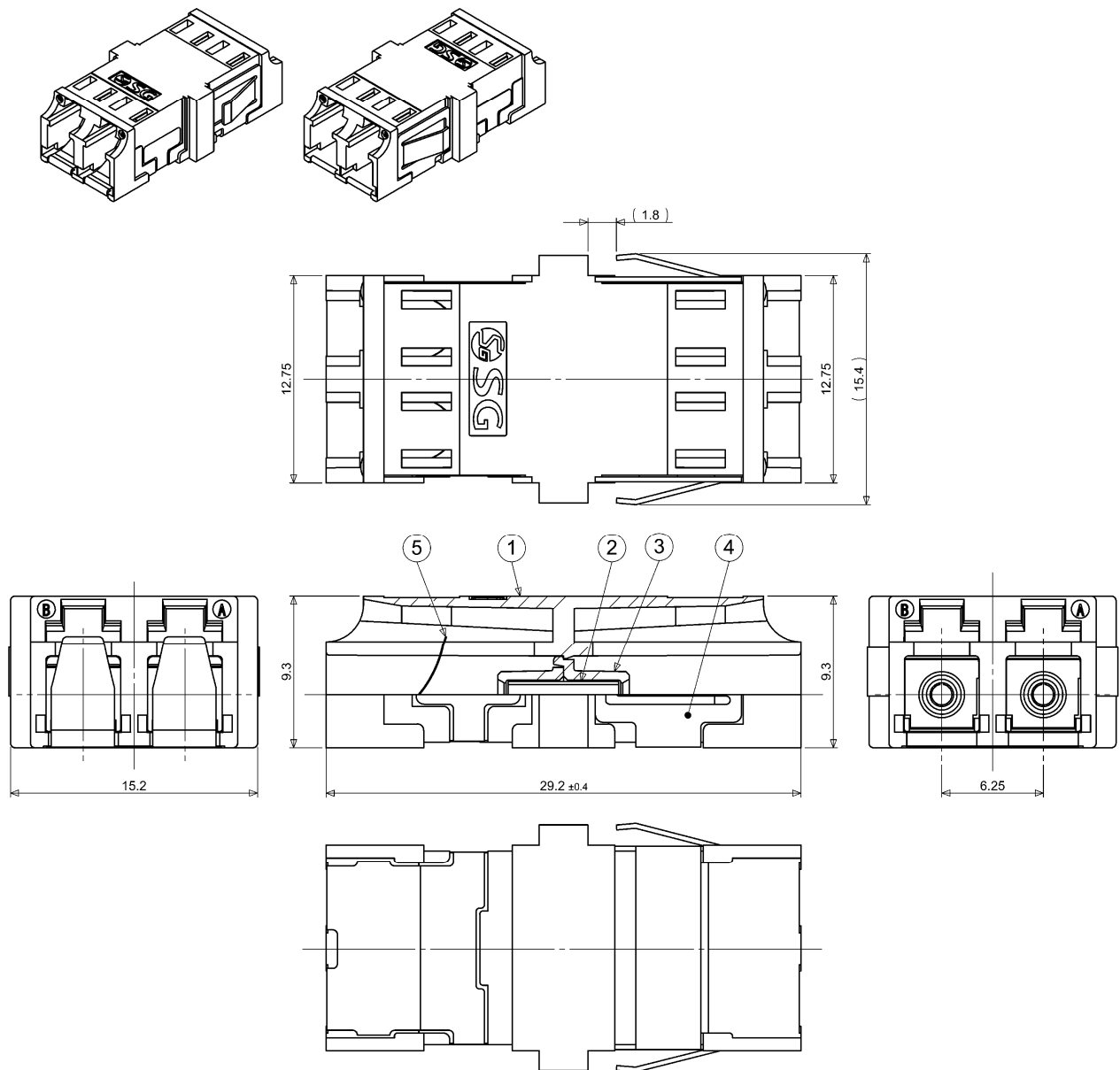




Note: This drawing does not include the cap.

Unit: mm

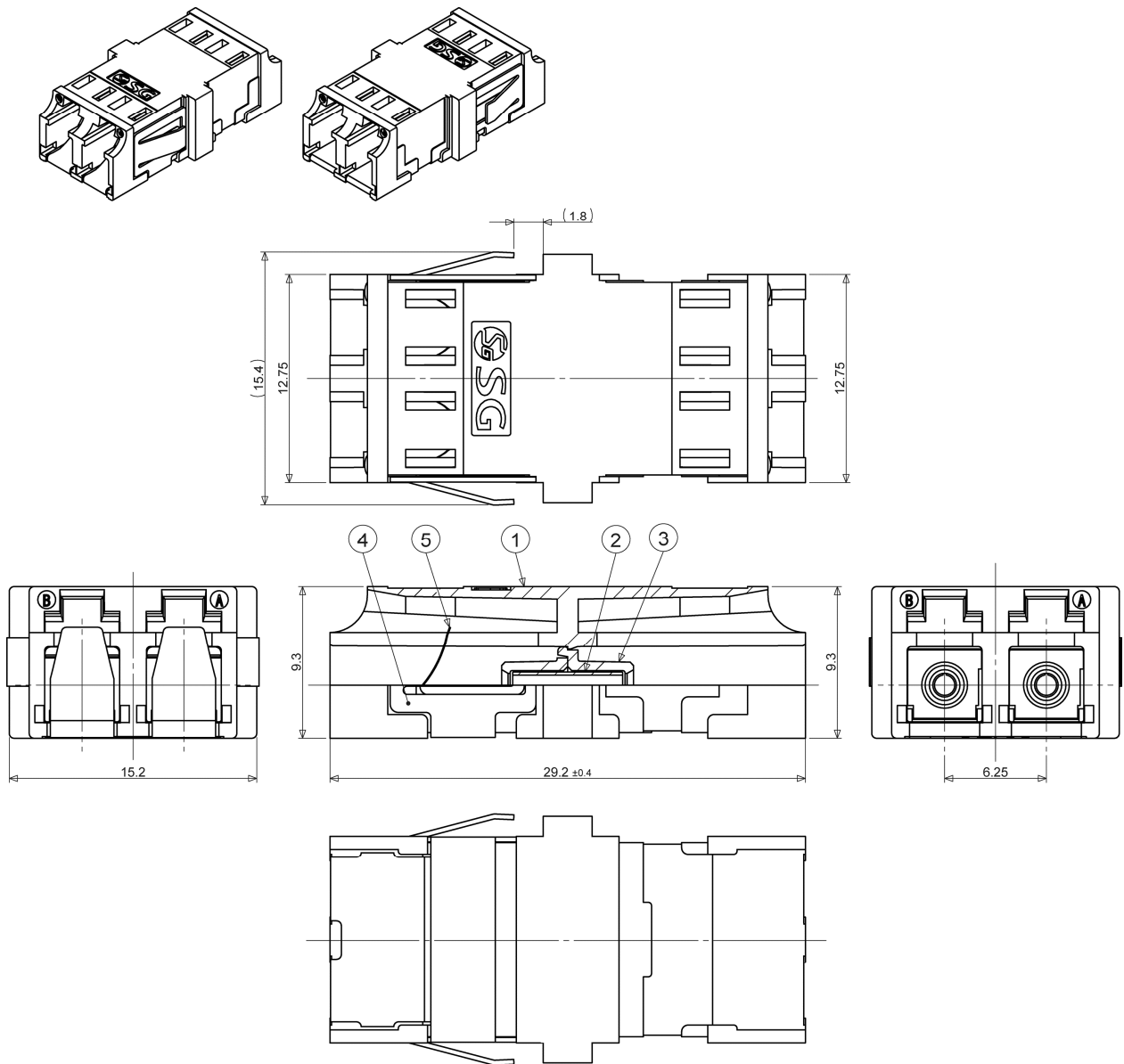
Figure 2-1 SLCFP-2AN4 Series (Standard) Adaptor



Note: This drawing does not include the cap.

Unit: mm

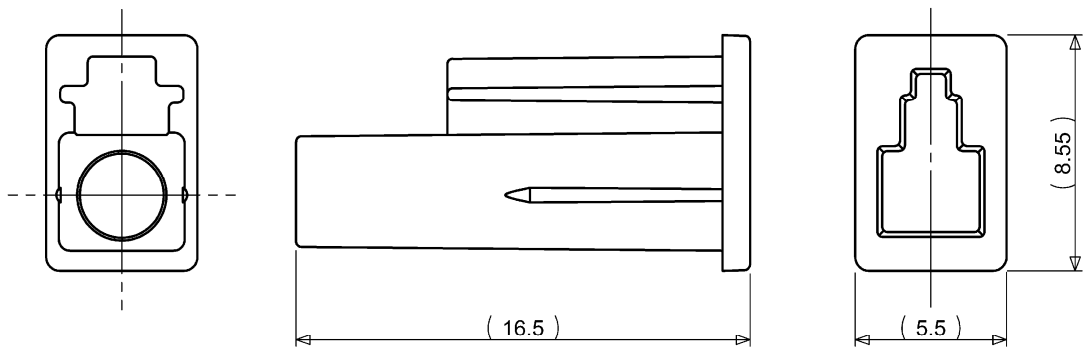
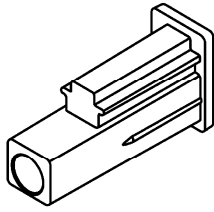
Figure 2-2 SLCFP-2AN4 Series (With One Shutter) Adaptor  
(Plate: Opposed side, Shutter: Logo mark side)



Note: This drawing does not include the cap.

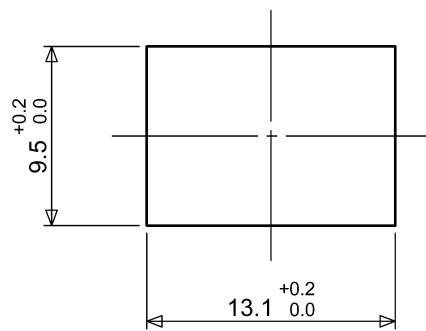
Unit: mm

Figure 2-3 SLCFP-2AN4 Series (With One Shutter) Adaptor  
(Plate: Logo mark side, Shutter: Logo mark side)



Unit: mm

Figure 3 ©Cap



$t = 1.6$

Unit: mm

Figure 4 Cut-hole Dimensions for Reference