

**SLCFP-2A6 Series**  
**LC DUPLEX ADAPTOR**  
- SC-Footprint Short Flange Type -  
**TECHNICAL SPECIFICATIONS**



**SEIKOH GIKEN Co.,Ltd.**  
296-1, MATSUHIDAI, MATSUDO-SHI,  
CHIBA, 270-2214 JAPAN.  
TEL: +81-47-388-6111 FAX: +81-47-388-4477

**SLCFP-2A6 Series LC DUPLEX ADAPTOR - SC-Footprint Short Flange Type -  
TECHNICAL SPECIFICATIONS**

S04-H059-01E      March      2021

Copyright © 2021 by **SEIKOH GIKEN Co.,Ltd.**  
All right reserved.

The information contained herein shall not be reproduced or disclosed to any third party without the express written consent of SEIKOH GIKEN Co., Ltd. The specifications and materials contained herein are subject to change without notice.

Please address any questions, comments, and suggestions to:

**SEIKOH GIKEN USA, Inc.**

4405 International Blvd., Suite B109  
Norcross, GA 30093 U.S.A.  
TEL: +1-770-279-6602  
FAX: +1-770-279-8839

**SEIKOH GIKEN Europe GmbH**

Siemensstrasse 9  
D-63263 Neu-Isenburg, Germany  
TEL: +49-6102-297-701  
FAX: +49-6102-297-750

**SEIKOH GIKEN Hangzhou Co.,Ltd.**

526 Binkang Road Binjiang District, Hangzhou,  
Zhejiang, China 310052, P.R. China  
TEL: +86-571-8777-4098  
FAX: +86-571-8777-4099

## TABLE OF CONTENTS

Section	Page
1 SCOPE .....	1
2 PART NUMBER.....	1
3 GENERAL SPECIFICATIONS .....	2
3.1 Parts and Materials .....	2
3.2 Physical Dimensions.....	2
3.3 General Tolerances .....	2
3.4 Insertion Loss.....	3
3.5 Appearance .....	3
4 PACKING .....	3
5 IDENTIFICATION.....	4
6 HANDLING AND CARE .....	4
6.1 Conditions of Storage .....	4
6.2 Precautions for Use .....	4
6.3 Disposal .....	4
7 REFERENCE INFORMATION .....	4

### Table

	Page
Table 1 Part Number .....	1
Table 2 Parts and Materials .....	2
Table 3 General Tolerance (ISO 2768-m).....	2
Table 4 Insertion Loss and Measurement Conditions .....	3

### Figure

	Page
Figure 1 Insertion Loss Measurement System .....	3
Figure 2-1 SLCFP-2A6 Series Adaptor (without internal shutter) .....	5
Figure 2-2 SLCFP-2A6 Series Adaptor (with internal shutter) .....	6
Figure 3 © Cap.....	7
Figure 4 Cut-hole Dimensions for Reference.....	7

BLANK PAGE

1 SCOPE

These specifications apply to the SLCFP-2A6 series LC duplex adaptor - SC-footprint short flange type - supplied by SEIKOH GIKEN Co., Ltd.

2 PART NUMBER

Part number of the adaptor is shown in Table 1.

Table 1 Part Number

<b>SLCFP-2A6</b>	Blue, for SM PC
<b>SLCFP-2AN6</b>	Green, for SM Angled-PC


  

MODEL Number	TYPE Number						
<b>SLCFP-2A6</b>	<b>2</b>	<b>2</b>	<b>7</b>	<b>3</b>	<b>0</b>	<b>1</b>	<b>G</b>

<b>Split Sleeve</b>	
<b>2</b>	Zirconia

<b>Marking (Logo)</b>	
<b>1</b>	No marking
<b>2</b>	 SG

<b>Cap</b>	
<b>7</b>	Black duplex cap
<b>8</b>	Translucent duplex cap

<b>Auxiliary Digit</b>	
<b>1</b>	<b>G</b>

<b>Internal Shutter</b>	
<b>0</b>	None
<b>X</b>	One side at logo side

<b>Packaging Unit</b>	
<b>3</b>	50 pcs / Plastic bag

Please contact us for availability of other specifications.

### 3 GENERAL SPECIFICATIONS

#### 3.1 Parts and Materials

Parts and materials are shown in Table 2.

Table 2 Parts and Materials

Item	Part Name	Qty	Material	Notes
①	Split sleeve	2	Zirconia ceramics	-
②	Sleeve holder	2	PC	Black, Flammability UL94 V-0
③	Adaptor housing	1	PC	SLCFP-2A6: Blue SLCFP-2AN6: Green Flammability UL94 V-0
④	Plate	1	Stainless steel	-
⑤	Shutter plate	1	Stainless steel	-
⑥	Cap	2	TPE	Duplex cap

Note: Item on Table 2 complies with the item reference number on the accompanying drawings.

#### 3.2 Physical Dimensions

Figure 2 shows the SLCFP-2A6 series adaptor.

Figure 3 shows the cap dimensions.

Figure 4 shows the cut-hole dimensions for reference.

- In accordance with IEC 61754-20 Type LC connector family.
- In accordance with JIS C 5964-20 Type LC connector family.

#### 3.3 General Tolerances

Permissible deviation in dimensions without tolerance indication is in accordance with ISO 2768-m (JIS B 0405-m), as shown in Table 3.

Table 3 General Tolerance (ISO 2768-m)

Basic size step [mm]		Permissible deviation [mm]
Over	Under	
0.5	3	±0.1
3	6	±0.1
6	30	±0.2
30	120	±0.3

### 3.4 Insertion Loss

Insertion loss of the adaptor and measurement conditions are shown in Table 4. Figure 1 shows the measurement system.

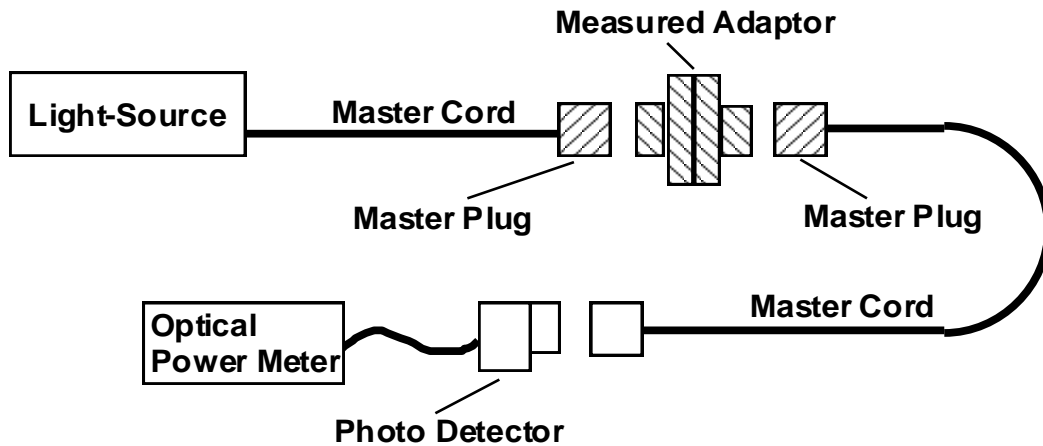


Figure 1 Insertion Loss Measurement System

Table 4 Insertion Loss and Measurement Conditions

Part Number		SLCFP-2A6	SLCFP-2AN6
Insertion Loss		0.2 dB or less	
Conditions	Light Source	LD	
	Wave Length	1.31 $\mu\text{m}$	
	Applicable Fiber	Single mode	
	Master Plug Type	PC	Angled-PC

### 3.5 Appearance

There shall be no burrs or scratches that affect the product.

## 4 PACKING

The product is packed to prevent damage during shipment.

## 5 IDENTIFICATION

Identification label should indicate the part number and the lot number of the product(s) and should be permanently attached to the packing bag.

## 6 HANDLING AND CARE

### 6.1 Conditions of Storage

For storage of the product, keep in the packing bag and keep away from corrosive gas, high-temperature and humidity, extreme-low temperature and direct sunlight.

### 6.2 Precautions for Use

Contamination, oil, sweat and others debris on the inside of the slit sleeve may influence the performance of the product. If contamination is on the inside of the slit sleeve, clean the inside before connecting.

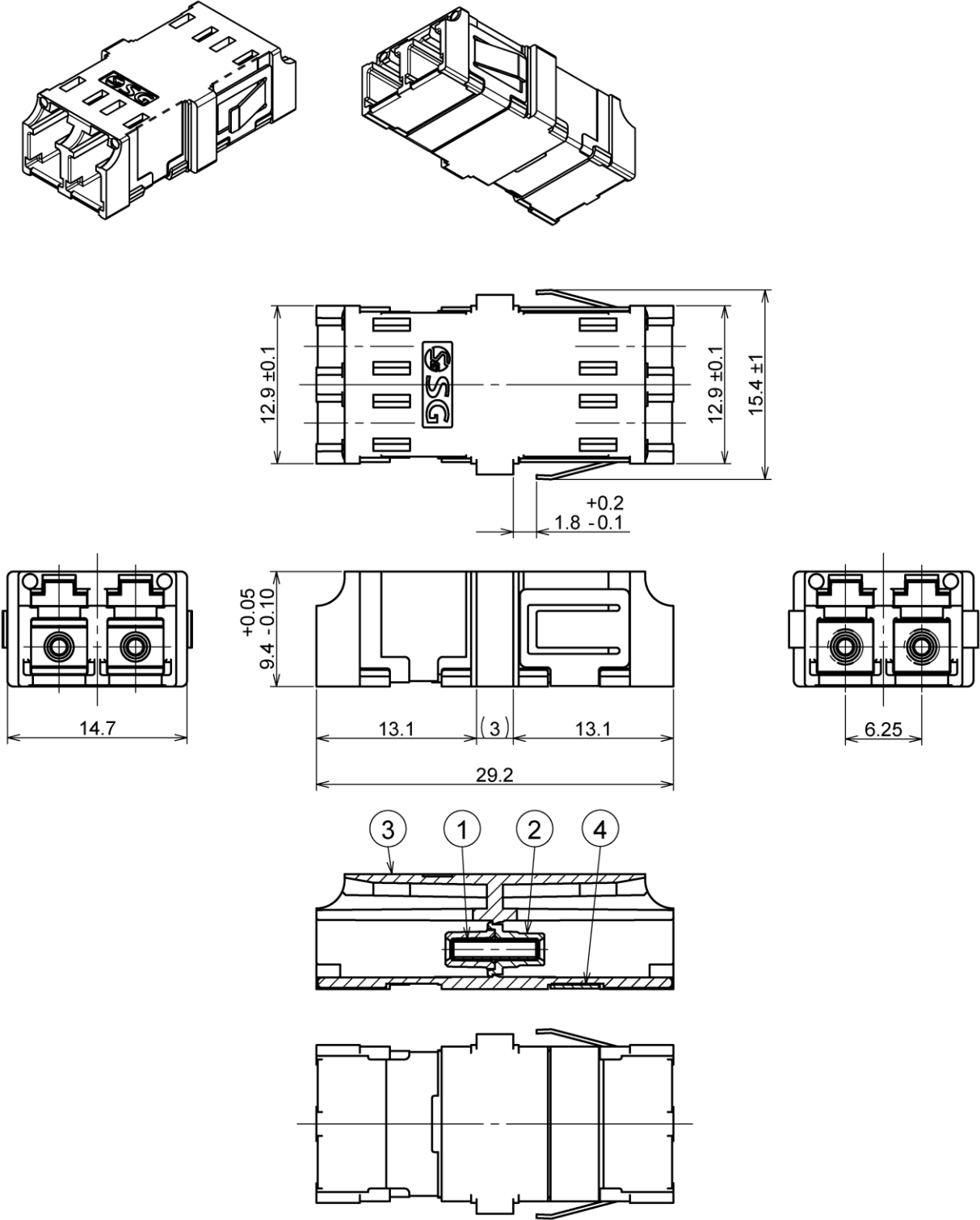
### 6.3 Disposal

When discarding this product, please follow the regulations of your own country.

## 7 REFERENCE INFORMATION

Please contact us for information in case that optical power from optical fibers emitted into the adaptor with shutter exceed 100 mW.

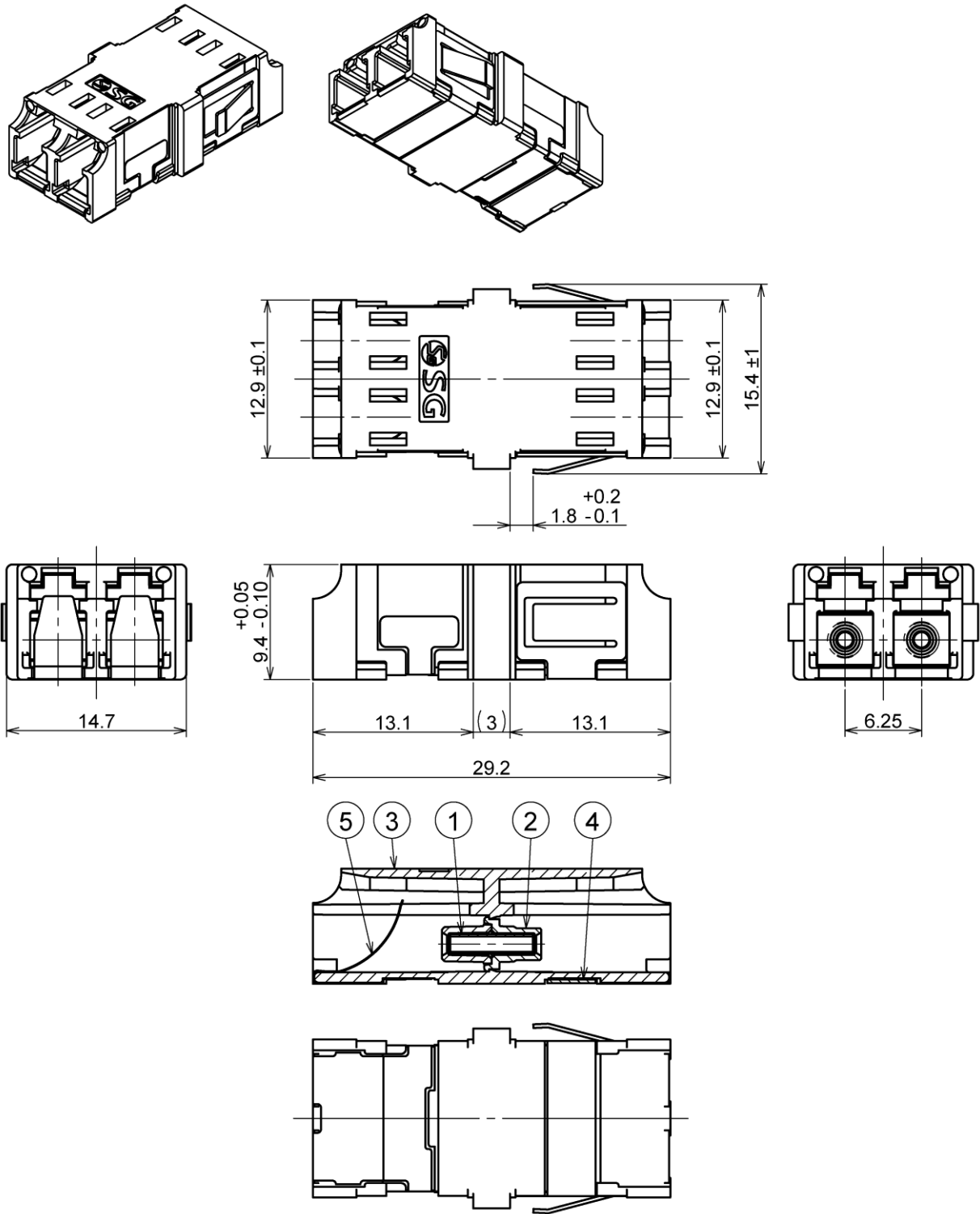




Note: This drawing does not include the caps.

Unit: mm

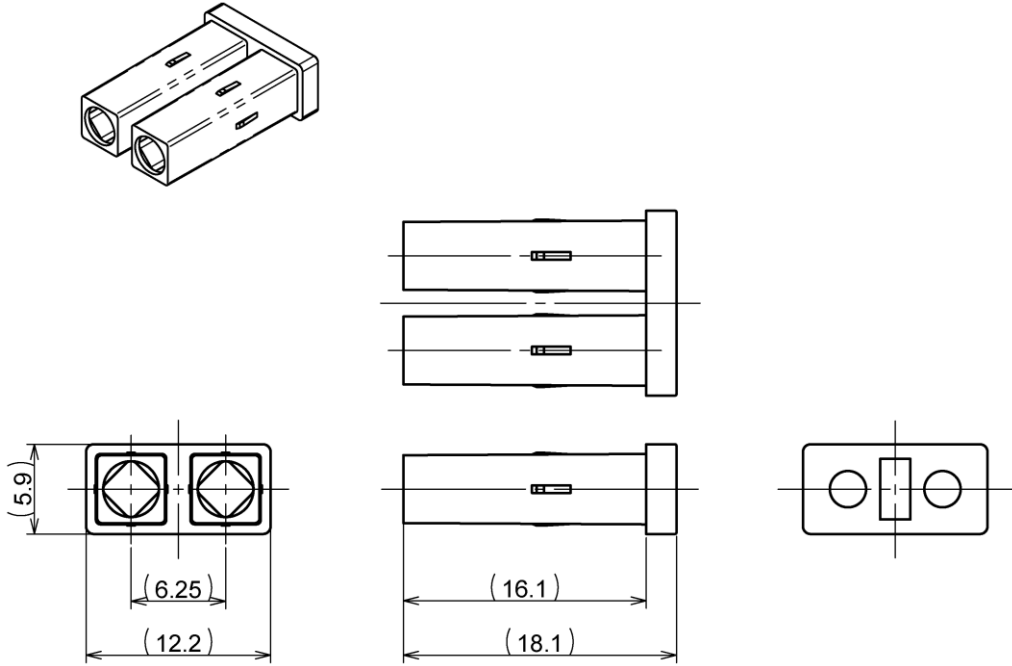
Figure 2-1 SLCFP-2A6 Series Adaptor (without internal shutter)



Note: This drawing does not include the caps.

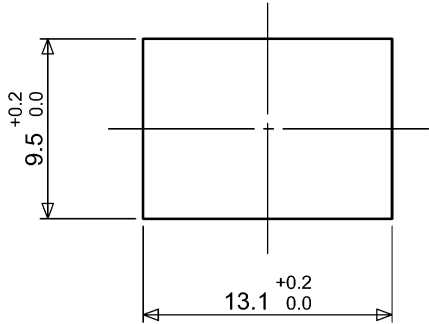
Unit: mm

Figure 2-2 SLCFP-2A6 Series Adaptor (with internal shutter)



Unit: mm

Figure 3 ⑥ Cap (Duplex cap)



Panel thickness: 1.6 ±0.1

Unit: mm

Figure 4 Cut-hole Dimensions for Reference