

SSCF-2AN3 Series
SC DUPLEX ADAPTOR
- for Angled-PC -

TECHNICAL SPECIFICATIONS



SEIKOH GIKEN Co.,Ltd.
Fiber Optic Products Division
296-1, MATSUHIDAI, MATSUDO-SHI,
CHIBA, 270-2214 JAPAN.
TEL: +81-47-388-6111 FAX: +81-47-388-4477

SSCF-2AN3 Series SC DUPLEX ADAPTOR - for Angled-PC -
TECHNICAL SPECIFICATIONS

ACD-22C2-01	February	2002
ACD-22C2-02	April	2004
S04-H009-01E	July	2006

Copyright © 2002 - 2006 by **SEIKOH GIKEN Co.,Ltd.**
All right reserved.

The information contained herein shall not be reproduced or disclosed to any third party without the express written consent of SEIKOH GIKEN Co., Ltd.
The specifications contained herein are subject to change without notice.

Please address any questions, comments, and suggestions to:

SEIKOH GIKEN USA, Inc.
Headquarters

4405 International Blvd., Suite B109
Norcross, GA 30093 U.S.A.
TEL: +1-770-279-6602 FAX: +1-770-279-8839

Northeastern Field Office

714 Executive Drive
Princeton, NJ 08540
TEL: +1-609-279-0225 FAX: +1-609-279-0207

Western Field Office

21250 Hawthorne Boulevard, Suite 700
Torrance, CA 90503
TEL: +1-310-792-7450 FAX: +1-310-792-7451

SEIKOH GIKEN Europe GmbH
Frankfurt Branch

Siemensstrasse 9
D-63263 Neu-Isenburg, Germany
TEL: +49-6102-297-701
FAX: +49-6102-297-750

SEIKOH GIKEN Hong Kong Co.,Ltd.

Concordia Plaza 21/F Rm2111,
1 Science Museum Road, Tsim Sha Tsui East,
Kowloon, Hong Kong.
TEL: +852-26206551 FAX: +852-26206525

TABLE OF CONTENTS

Section		Page
1	SCOPE	1
2	PART NUMBER	1
3	GENERAL SPECIFICATIONS	2
3.1	Parts and Materials	2
3.2	Physical Dimensions	2
3.3	General Tolerance	2
3.4	Insertion Loss	2
3.5	Appearance	3
4	PACKING	4
5	IDENTIFICATION	4
6	HANDLING AND CARE	4
6.1	Conditions of Storage	4
6.2	Precautions of Use	4
6.3	Disposal	4

Table

Table 1	Part Number	1
Table 2	Parts and Materials	2
Table 3	General Tolerance	2
Table 4	Insertion Loss and Measurement Conditions	3

Figure

Figure 1	Insertion Loss and Measurement System	3
Figure 2	SSCF-2AN3 Series Adaptor	5
Figure 3	©Cap	6
Figure 4	Cut-hole Dimensions for Reference	6


1 SCOPE

These specifications apply to the SSCF-2AN3 series SC duplex adaptor - for angled-PC - supplied by SEIKOH GIKEN Co., Ltd.

2 PART NUMBER

Part number of the adaptor is shown in Table 1.

Table 1 Part Number

MODEL Number	TYPE Number					
SSCF-2AN3	2	2	7	0	0	G
Slit Sleeve				Auxiliary digit		
2	Zirconia			0 0 G		
Marking		Cap				
2	 SG / SSCF-2A	7	Black Grip Cap			
		8	Clear Grip Cap			

3 GENERAL SPECIFICATIONS

3.1 Parts and Materials

Parts and materials are shown in Table 2.

Table 2 Parts and Materials

No.	Part Name	Qty	Material	Notes
①	Slit Sleeve	2	Zirconia Ceramics	-
②	Sleeve Holder	2	PEI GF	Black, Flammability UL94 V-0
③	Adaptor Housing	1	PBT GF	Green, Flammability UL94 V-0
④	Pin	2	Stainless Steel	-
⑤	Plate	1	Stainless Steel	-
⑥	Cap	4	PC	Flammability UL94 V-0

Note: Item on Table 2 corresponds to the item reference number on Figure 2, 3.

3.2 Physical Dimensions

Figure 2 shows the SSCF-2AN3 series adaptor.

Figure 3 shows the part dimensions.

- In accordance with IEC 61754-4 Type SC connector family.
- In accordance with JIS C 5973 F04 Type connectors.

3.3 General Tolerances

Permissible deviation in dimensions without tolerance indication is in accordance with ISO 2768-m (JIS B 0405-m), as shown in Table 3.

Table 3 General Tolerance (ISO 2768-m)

Basic size step [mm]		Permissible deviation [mm]
Over	Under	
0.5	3	±0.1
3	6	±0.1
6	30	±0.2
30	120	±0.3

3.4 Insertion Loss

Insertion loss of the adaptor and measurement conditions are shown in Table 4.

Figure 1 shows the measurement system.

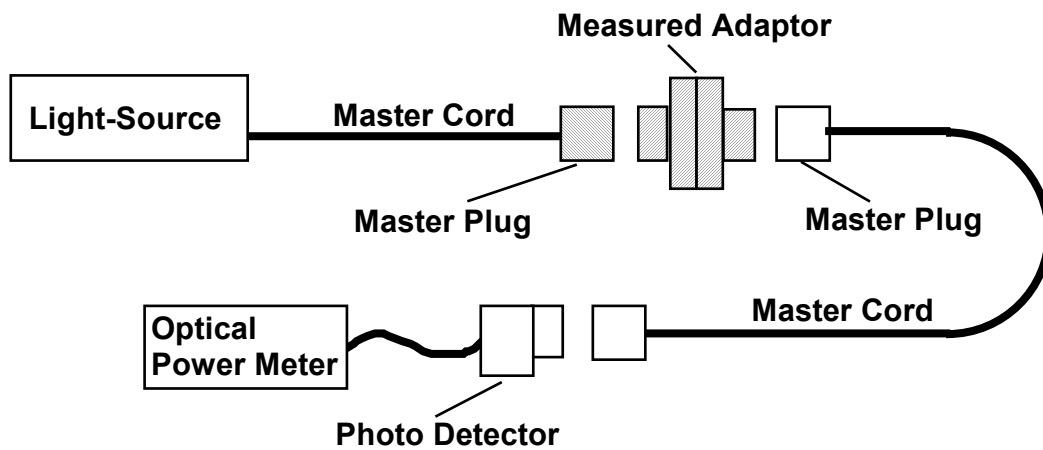


Figure 1 Insertion Loss Measurement System

Table 4 Insertion Loss and Measurement Conditions

Part Number		SSCF-2AN3 22*00G
Insertion Loss		0.2 dB or less
Conditions	Light Source	LD
	Wave Length	1.31 μm
	Applicable Fiber	Single mode
	Master Cord Type	Angled-PC

3.5 Appearance

There shall be no burrs or scratches that affect the product.

4 PACKING

The product is packed to prevent damage during shipment.

5 IDENTIFICATION

Identification label should indicate the part number and the lot number of the product(s) and should be permanently attached to the packing bag.

6 HANDLING AND CARE

6.1 Conditions of Storage

Keep the product, in the packing bag, at the following conditions for its storage.

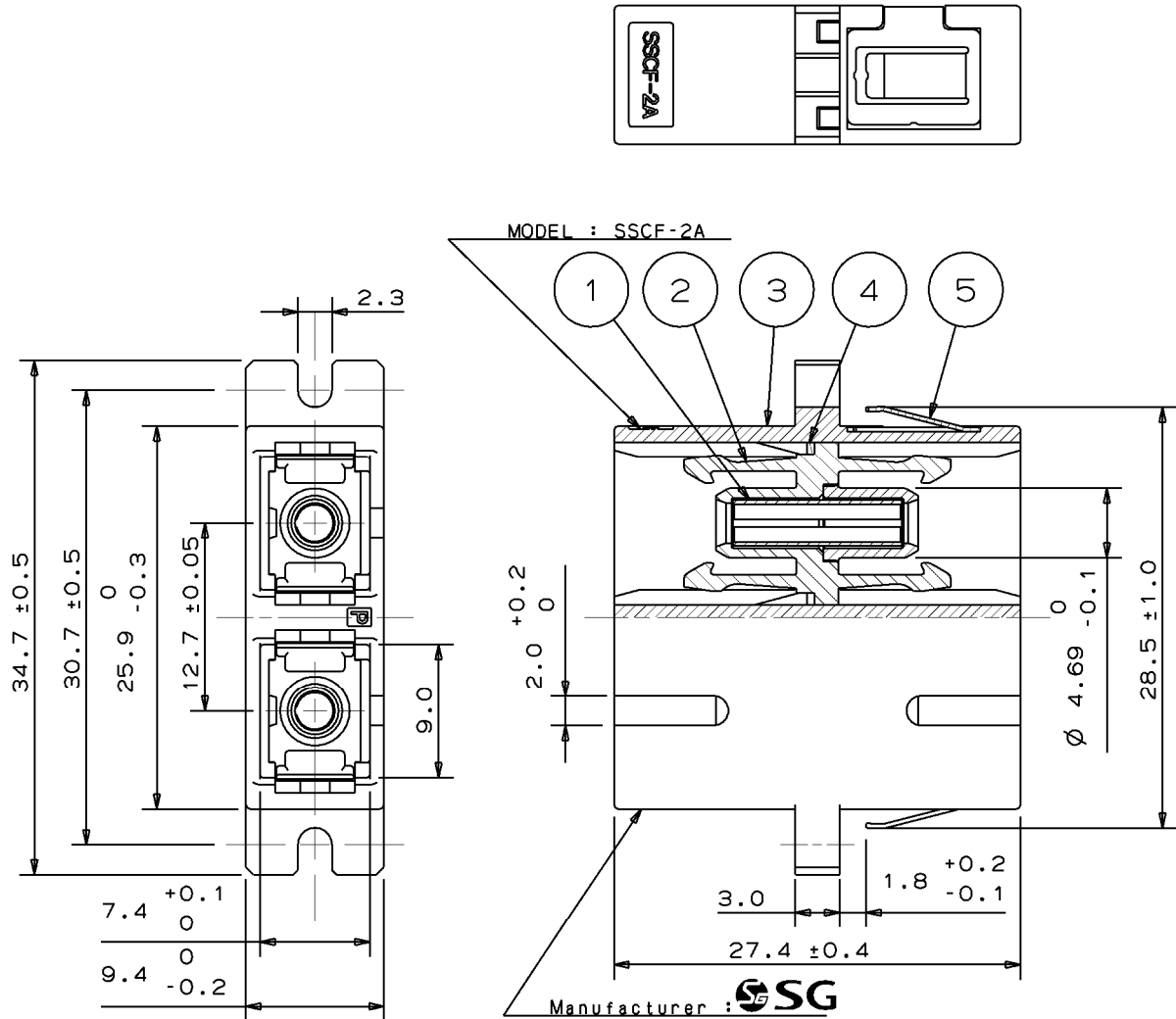
- Storage temperature: -40 to +85 degrees C
- Storage humidity: 0 to 85%RH, non-condensing

6.2 Precautions for Use

Contamination, oil, sweat and others debris on the inside of the slit sleeve may influence the performance of the product. If contamination is on the inside of the slit sleeve, clean the inside before connecting.

6.3 Disposal

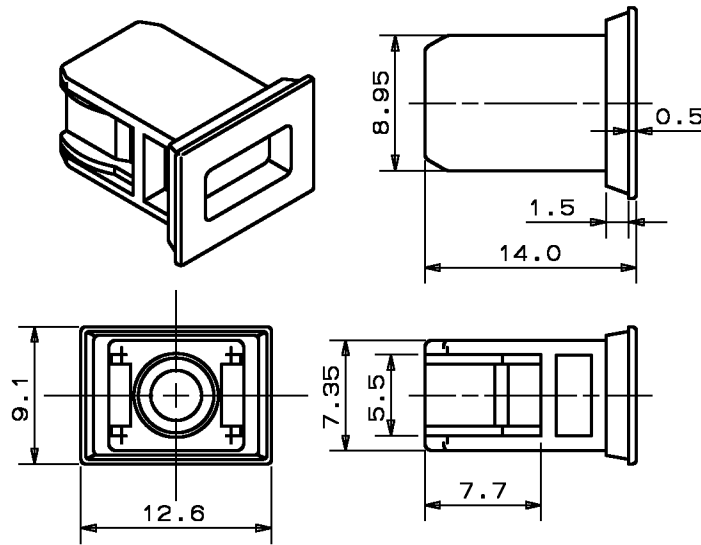
When discarding this product, please follow the regulations of your own country.



Note: This drawing does not include the cap.

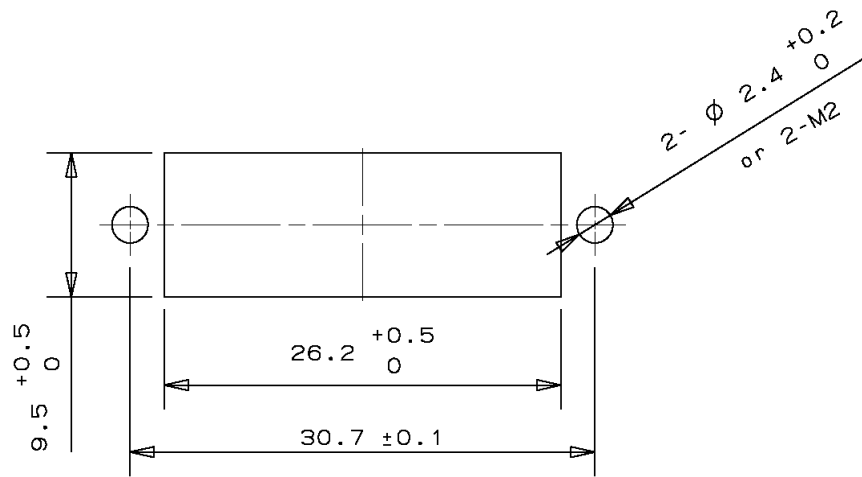
Unit: mm

Figure 2 SSCF-2AN3 Series Adaptor



Unit: mm

Figure 3 ©Cap



Unit: mm

Figure 4 Cut-hole Dimensions for Reference