

**SSC-A5 Series**  
**SSC-A6 Series**  
**SC SIMPLEX ADAPTOR**

**TECHNICAL SPECIFICATIONS**



**SEIKOH GIKEN Co.,Ltd.**  
296-1, MATSUHIDAI, MATSUDO-SHI,  
CHIBA, 270-2214 JAPAN  
TEL: +81-47-388-6111 FAX: +81-47-388-4477

SSC-A5 Series, SSC-A6 Series SC SIMPLEX ADAPTOR  
TECHNICAL SPECIFICATIONS

S04-H057-01E	August	2017
S04-H057-02E	February	2018
S04-H057-03E	September	2018
S04-H057-04E	August	2020

Copyright © 2017 - 2020 by **SEIKOH GIKEN Co.,Ltd.**  
All right reserved.

The information contained herein shall not be reproduced or disclosed to any third party without the express written consent of SEIKOH GIKEN Co., Ltd. The specifications and materials contained herein are subject to change without notice.

Please address any questions, comments, and suggestions to:

**SEIKOH GIKEN USA, Inc.**

4405 International Blvd., Suite B109  
Norcross, GA 30093 U.S.A.  
TEL: +1-770-279-6602  
FAX: +1-770-279-8839

**SEIKOH GIKEN Europe GmbH**

Siemensstrasse 9  
D-63263 Neu-Isenburg, Germany  
TEL: +49-6102-297-701  
FAX: +49-6102-297-750

**SEIKOH GIKEN Hangzhou Co.,Ltd.**

526 Binkang Road Binjiang District, Hangzhou,  
Zhejiang, China 310052, P.R. China  
TEL: +86-571-8777-4098  
FAX: +86-571-8777-4099

## TABLE OF CONTENTS

Section	Page
1 SCOPE .....	1
2 PART NUMBER .....	1
3 GENERAL SPECIFICATIONS.....	2
3.1 Parts and Materials .....	2
3.2 Physical Dimensions .....	2
3.3 General Tolerances .....	2
3.4 Insertion Loss.....	3
3.5 Appearance.....	4
4 PACKING .....	4
5 IDENTIFICATION .....	4
6 HANDLING AND CARE .....	4
6.1 Conditions of Storage .....	4
6.2 Precautions for Use .....	4
6.3 Disposal .....	4

### Table

	Page
Table 1 Part Number .....	1
Table 2 Parts and Materials .....	2
Table 3 General Tolerance (ISO 2768-m) .....	3
Table 4 Insertion Loss and Measurement Conditions .....	3

### Figure

	Page
Figure 1 Insertion Loss Measurement System .....	3
Figure 2-1 SSC-A5 Series Adaptor (Long Flange Type, Without internal shutter) ...	5
Figure 2-2 SSC-A5 Series Adaptor (Long Flange Type, With internal shutter) .....	6
Figure 3-1 SSC-A6 Series Adaptor (Short Flange Type, Without internal shutter)...	7
Figure 3-2 SSC-A6 Series Adaptor (Short Flange Type, With internal shutter).....	8
Figure 4 ⑦ Cap .....	9
Figure 5 Cut-hole Dimensions for Reference .....	9

BLANK PAGE

1 SCOPE

These specifications apply to the SSC-A5 and SSC-A6 series SC adaptor supplied by SEIKOH GIKEN Co., Ltd.

2 PART NUMBER

Part number of the adaptor is shown in Table 1.

Table 1 Part Number

<b>SSC-A5</b>	Long flange, Blue
<b>SSC-AN5</b>	Long flange, Green, for angled-PC
<b>SSC-A6</b>	Short flange, Blue
<b>SSC-AN6</b>	Short flange, Green, for angled-PC


  

MODEL Number	TYPE Number						
<b>SSC-A5</b>	<b>2</b>	<b>2</b>	<b>7</b>	<b>0</b>	<b>0</b>	<b>1</b>	<b>G</b>

<b>Split Sleeve</b>	
<b>2</b>	Zirconia

<b>Marking</b>	
<b>2</b>	 <b>SG</b> / SSC-A

<b>Cap</b>	
<b>7</b>	Black flat cap
<b>8</b>	Translucent flat cap

<b>Packaging Unit</b>	
<b>0</b>	50 pcs / Tray
<b>3</b>	50 pcs / Plastic bag

<b>Auxiliary Digit</b>	
<b>G</b>	

<b>Specification</b>	
<b>1</b>	Tensile strength of coupling mechanism: 100 N or more

<b>Internal Shutter</b>	
<b>0</b>	None
<b>X</b>	One side at other side of plate

Please contact us for availability of other specifications.

### 3 GENERAL SPECIFICATIONS

#### 3.1 Parts and Materials

Parts and materials of the adaptor are shown in Table 2.

Table 2 Parts and Materials

Item	Part Name	Qty	Material	Notes
①	Split sleeve	1	Zirconia ceramics	-
②	Sleeve holder	2	PA9T-GF	Black, Flammability UL94 V-0
③	Adaptor housing	1	PBF-GF	SSC-A5, SSC-A6: Blue SSC-AN5, SSC-AN6: Green Flammability UL94 V-0
④	Plate	1	Stainless steel	-
⑤	Shutter plate	1	Stainless steel	-
⑥	Clip	1	Stainless steel	-
⑦	Cap	2	PC	Flammability UL94 V-0

Note: Item on Table 2 complies with the item reference number on the accompanying drawings.

#### 3.2 Physical Dimensions

Figure 2-1 and 2-2 show the SSC-A5 series adaptor.

Figure 3-1 and 3-2 show the SSC-A6 series adaptor.

Figure 4 shows the cap dimensions.

Figure 5 shows the cut-hole dimensions for reference.

- In accordance with IEC 61754-4 Type SC connector family

- In accordance with JIS C 5973 F04 Type connectors (Type SC)

#### 3.3 General Tolerances

Permissible deviation in dimensions without tolerance indication is in accordance with ISO 2768-m (JIS B 0405-m), as shown in Table 3.

Table 3 General Tolerance (ISO 2768-m)

Basic size step [mm]		Permissible deviation [mm]
Over	Under	
0.5	3	±0.1
3	6	±0.1
6	30	±0.2
30	120	±0.3

### 3.4 Insertion Loss

Insertion loss of the adaptor and measurement conditions are shown in Table 4. Figure 1 shows the measurement system.

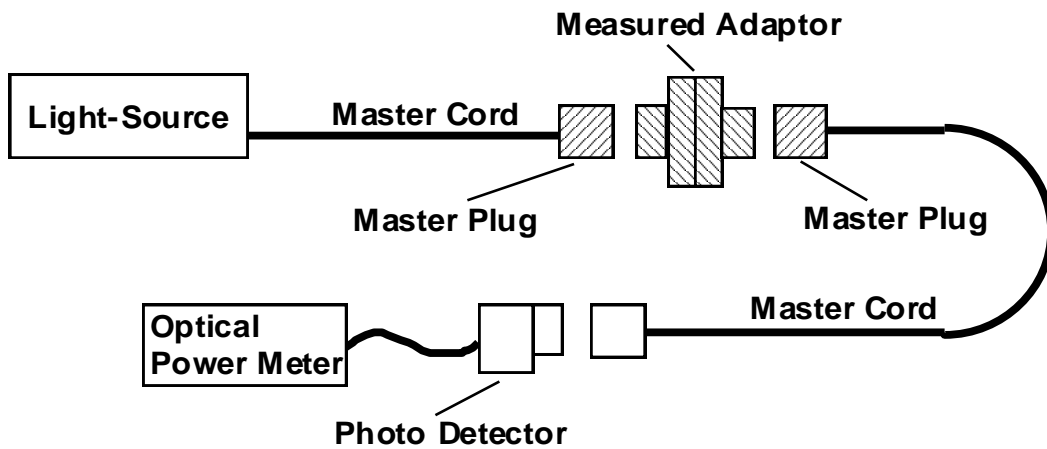


Figure 1 Insertion Loss Measurement System

Table 4 Insertion Loss and Measurement Conditions

Part Number		SSC-A5, SSC-A6	SSC-AN5, SSC-AN6
Insertion Loss		0.2 dB or less	
Conditions	Light Source	LD	
	Wave Length	1.31 μm	
	Applicable Fiber	Single mode	
	Master Cord Type	PC, R20 mm	Angle-PC

### 3.5 Appearance

There should be no burr or scratches that affect the product.

## 4 PACKING

The product is packed to prevent damage during shipment.

## 5 IDENTIFICATION

Identification label should indicate the part number and the lot number of the product(s) and should be permanently attached to the packing bag.

## 6 HANDLING AND CARE

### 6.1 Conditions of Storage

For storage of the product, keep in the packing bag and keep away from corrosive gas, high-temperature and humidity, extreme-low temperature and direct sunlight.

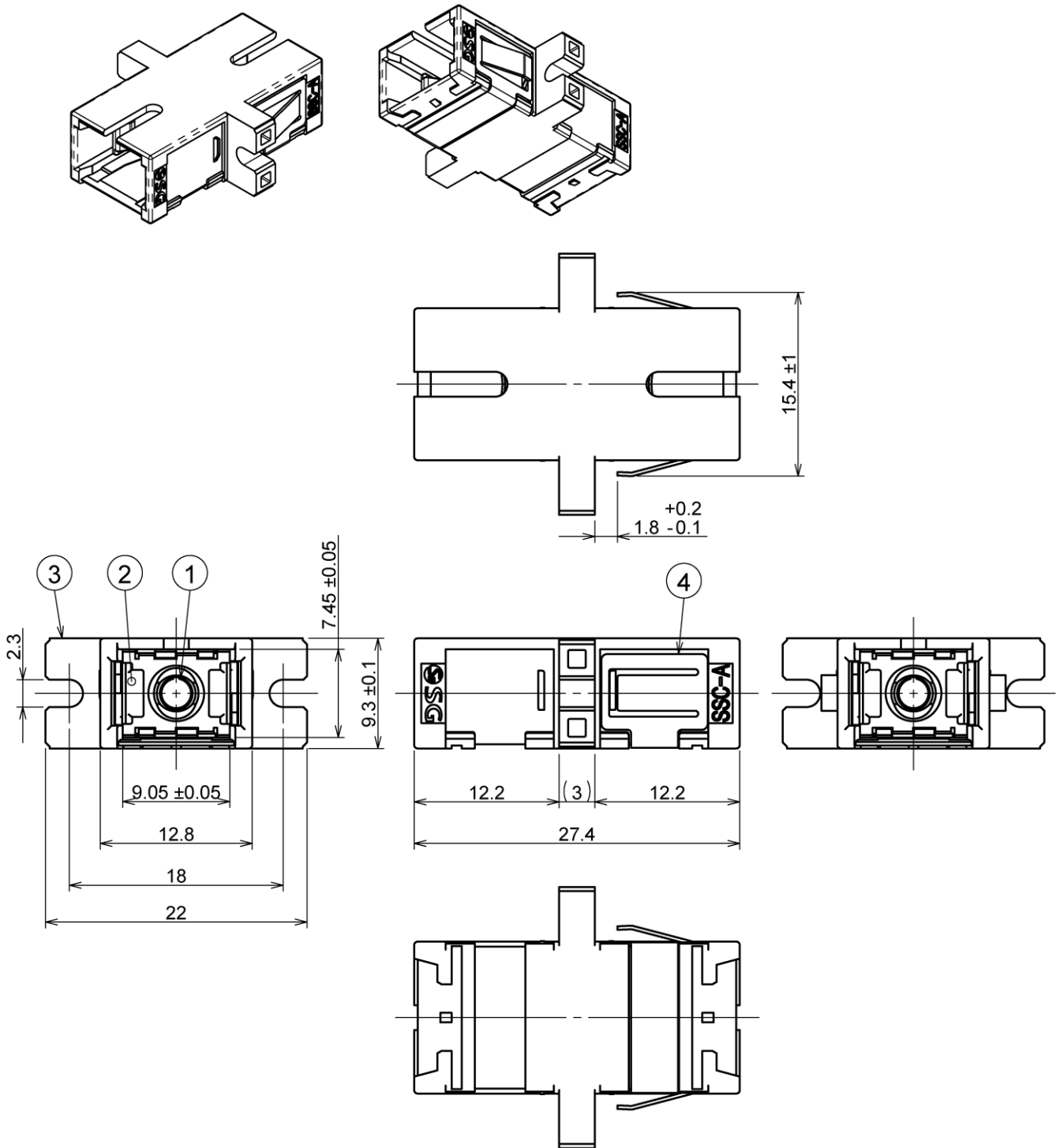
### 6.2 Precautions for Use

Contamination, oil, sweat and others debris on the ferrule end face may influence the performance of the product. If contamination is on the ferrule end face, wipe the end face with the end face cleaner.

### 6.3 Disposal

When discarding this product, please follow the regulations of your own country.

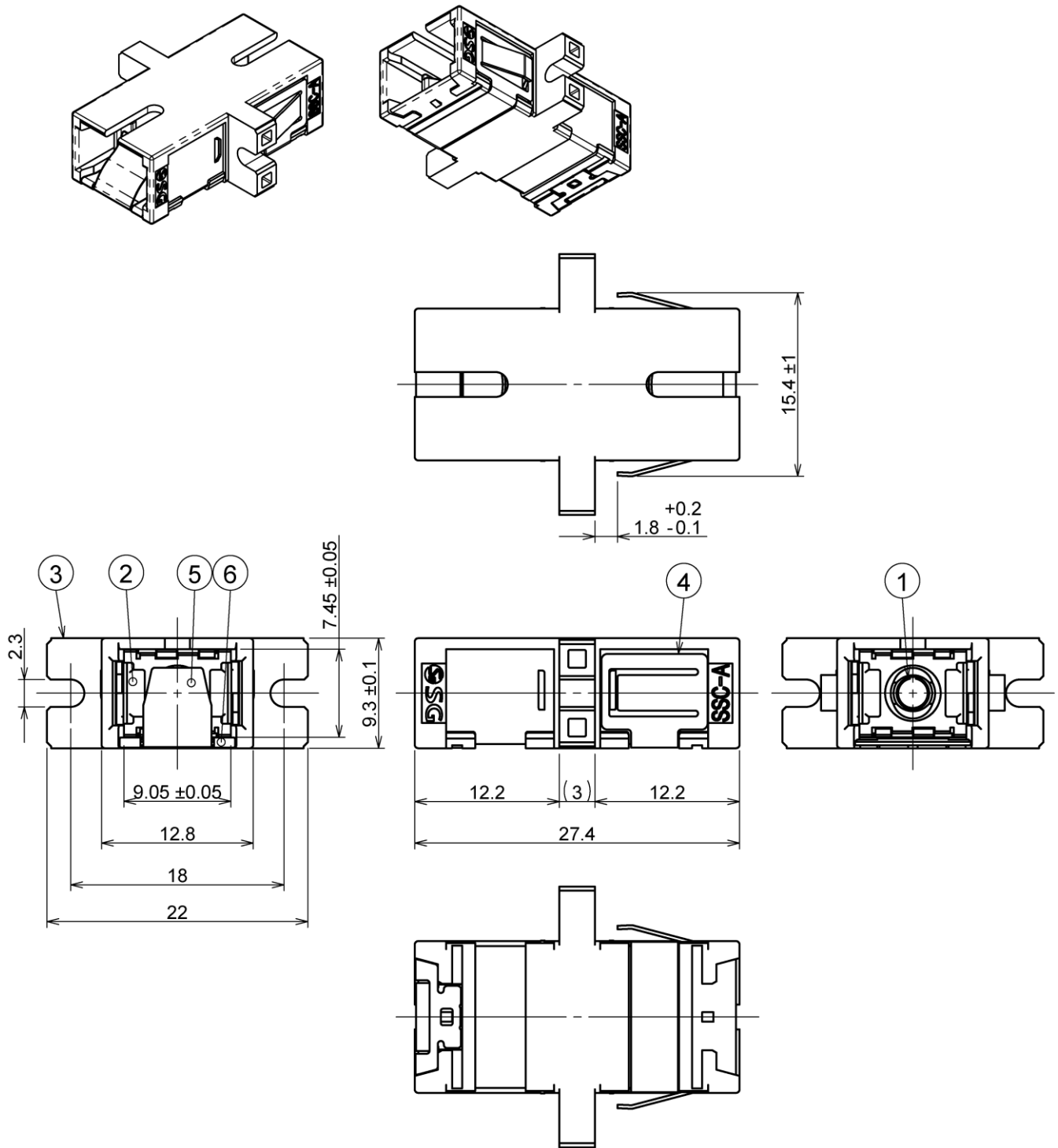




Note: 1 This drawing does not include the caps.

Unit: mm

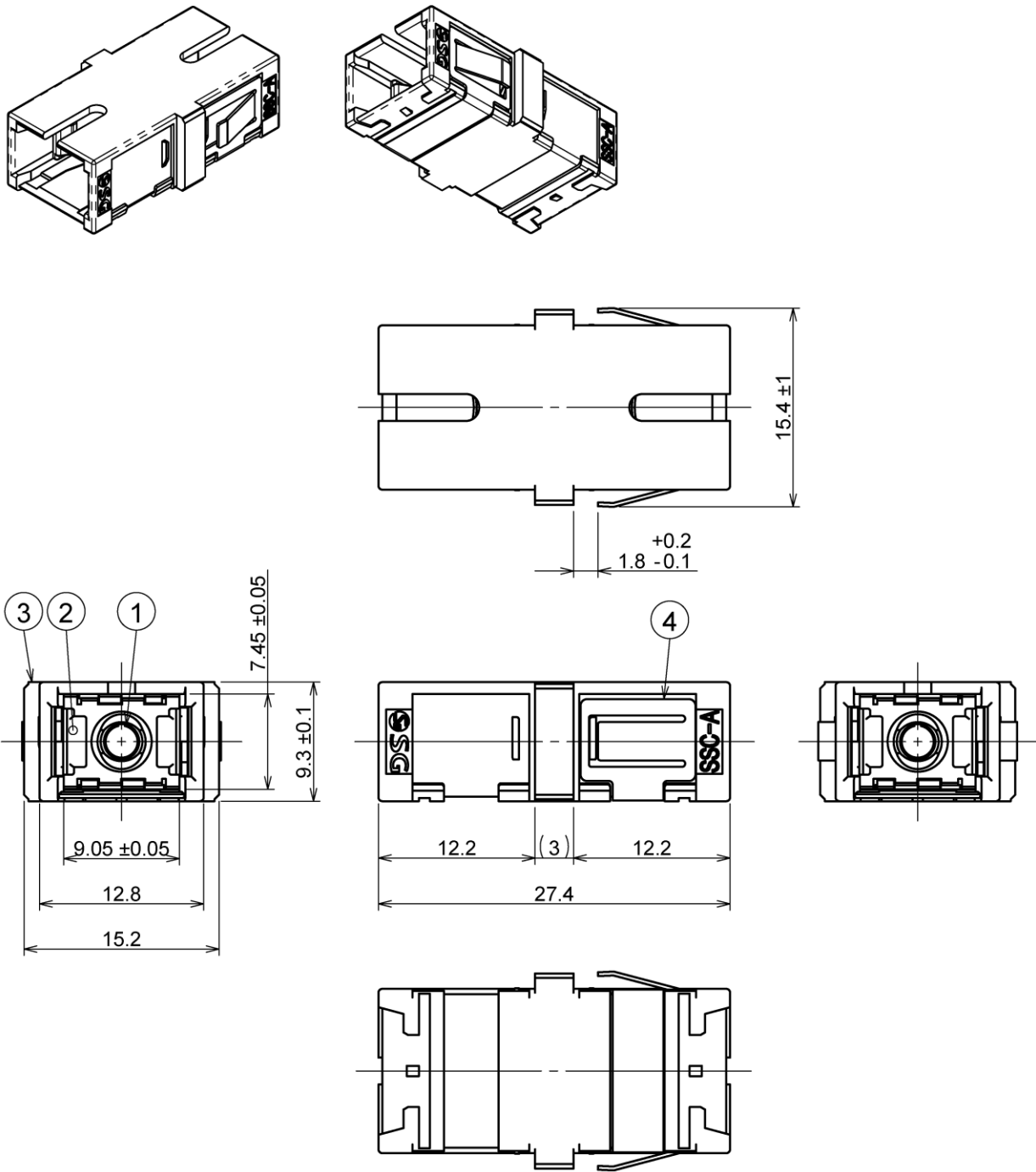
Figure 2-1 SSC-A5 Series Adaptor (Long Flange Type, Without internal shutter)



Note: 1 This drawing does not include the caps.

Unit: mm

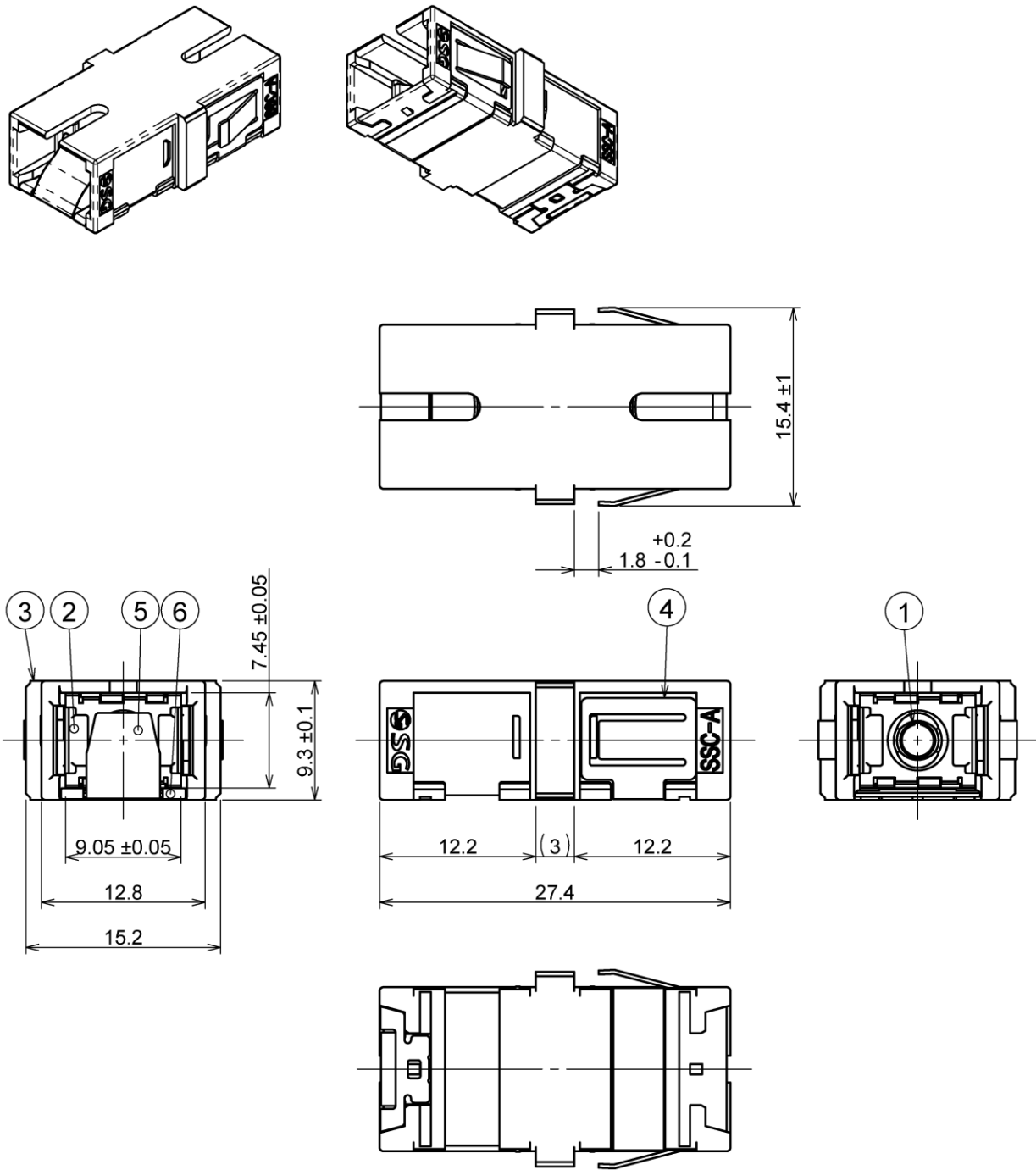
Figure 2-2 SSC-A5 Series Adaptor (Long Flange Type, With internal shutter)



Note: 1 This drawing does not include the caps.

Unit: mm

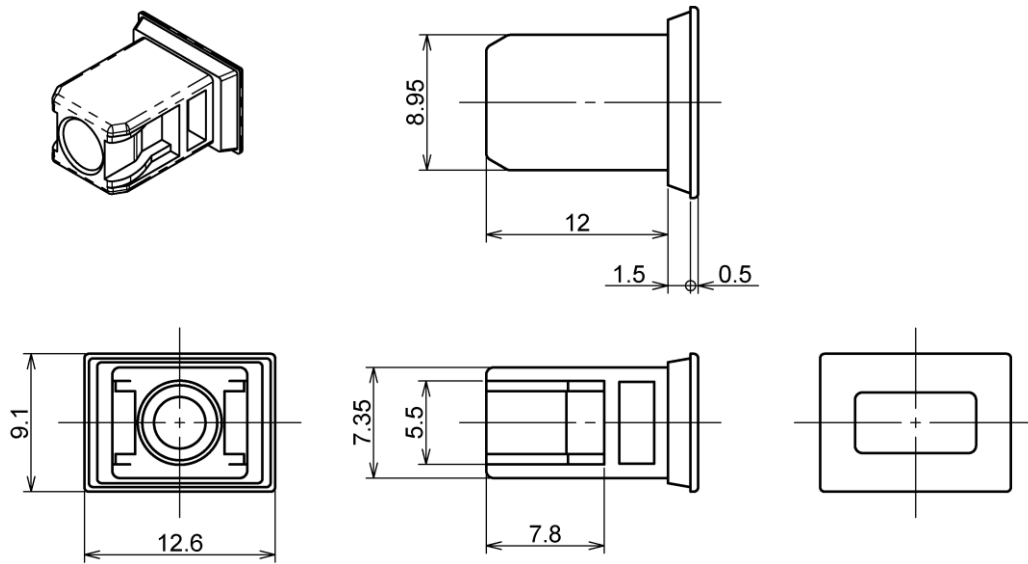
Figure 3-1 SSC-A6 Series Adaptor (Short Flange Type, Without internal shutter)



Note: 1 This drawing does not include the caps.

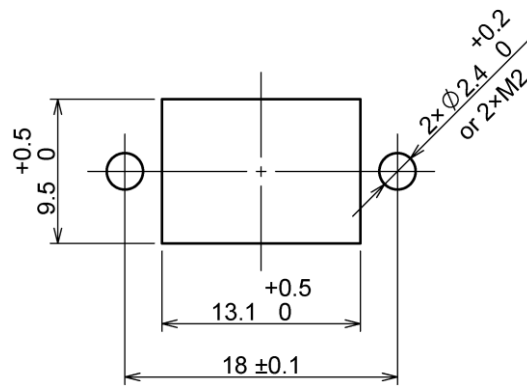
Unit: mm

Figure 3-2 SSC-A6 Series Adaptor (Short Flange Type, With internal shutter)



Unit: mm

Figure 4 ⑦ Cap



Thickness: 1.6 ± 0.1

Unit: mm

Figure 5 Cut-hole Dimensions for Reference