

# **SGP-N4 Series**

## **FC HOUSING**

- for Angled-PC , 360 degree variable tuning,  
for  $\varnothing$  0.9 mm buffered fiber, Lead-less -

## **TECHNICAL SPECIFICATIONS**



**SEIKOH GIKEN Co.,Ltd.**  
296-1, MATSUHIDAI, MATSUDO-SHI,  
CHIBA, 270-2214 JAPAN.  
TEL: +81-47-388-6111 FAX: +81-47-388-4477

SGP-N4 Series FC HOUSING – for Angled-PC, 360 degree variable tuning for  $\varnothing$  0.9 mm buffered fiber, Lead-less –  
**TECHNICAL SPECIFICATIONS**

S05-002-0	August	1995
S05-002-1	March	2001
S05-002-2	June	2006
S05-H031-01E	October	2006
S05-H031-02E	September	2007
S05-H031-03E	August	2020
S05-H031-04E	January	2021

Copyright © 1995 - 2021 by **SEIKOH GIKEN Co.,Ltd.**  
All right reserved.

The information contained herein shall not be reproduced or disclosed to any third party without the express written consent of SEIKOH GIKEN Co., Ltd. The specifications and materials contained herein are subject to change without notice.

Please address any questions, comments, and suggestions to:

**SEIKOH GIKEN USA, Inc.**

4405 International Blvd., Suite B109  
Norcross, GA 30093 U.S.A.  
TEL: +1-770-279-6602  
FAX: +1-770-279-8839

**SEIKOH GIKEN Europe GmbH**

Siemensstrasse 9  
D-63263 Neu-Isenburg, Germany  
TEL: +49-6102-297-701  
FAX: +49-6102-297-750

**SEIKOH GIKEN Hangzhou Co.,Ltd.**

526 Binkang Road Binjiang District, Hangzhou,  
Zhejiang, China 310052, P.R. China  
TEL: +86-571-8777-4098  
FAX: +86-571-8777-4099

## TABLE OF CONTENTS

Section	Page
1 SCOPE .....	1
2 PART NUMBER .....	1
3 GENERAL SPECIFICATIONS.....	2
3.1 Parts and Materials .....	2
3.2 Physical Dimensions .....	2
3.3 General Tolerances.....	2
3.4 Appearance.....	2
4 FEATURE.....	3
4.1 Mechanical Characteristics .....	3
4.2 Environmental Characteristics.....	3
5 PACKING .....	4
6 IDENTIFICATION .....	4
7 HANDLING AND CARE .....	4
7.1 Conditions of Storage.....	4
7.2 Precautions for Use.....	4
7.3 Disposal .....	4

### Table

	Page
Table 1 Part Number .....	1
Table 2 Parts and Materials .....	2
Table 3 General Tolerance (ISO 2768-m).....	2
Table 4 Mechanical characteristics .....	3
Table 5 Environmental characteristics.....	3

### Figure

	Page
Figure 1 SGP-N4 Series Housing (Cutout frame) .....	5
Figure 2 to 7 Dimensions of Parts .....	5 to 8

BLANK PAGE

1 SCOPE

These specifications apply to the SGP-N4 series FC housing – for Angled-PC, 360 degree variable tuning for  $\varnothing$  0.9 mm buffered fiber, Lead-less – supplied by SEIKOH GIKEN Co., Ltd.

2 PART NUMBER

Part number of the housing is shown in Table 1.

Table 1 Part Number

MODEL Number	TYPE Number							
<b>SGP-N4</b>	<b>8</b>	<b>8</b>	<b>0</b>	<b>0</b>	<b>1</b>	<b>J</b>	<b>0</b>	<b>G</b>
<b>Boot Color</b>		<b>Auxiliary Digit</b>						
1	Black	0 G						
8	Green							
<b>Boot I.D. [mm] , Marking</b>		<b>Specification</b>						
8 0	for $\varnothing$ 0.9 buffered fiber (flame retardant), No Marking	J		Cutout frame narrow key - R-type -				
		<b>Package</b>						
		1		Main body tentatively assembled, Bulk Package				
		<b>Cap</b>						
		0		No cap				
		3		White plastic cap				

Please contact us for other specifications.

### 3 GENERAL SPECIFICATIONS

#### 3.1 Parts and Materials

Parts and materials are shown in Table 2.

Table 2 Parts and Materials

No.	Part Name	Qty	Material	Notes
①	Frame	1	Lead-less brass	Cutout frame, Nickel plating
②	Coupling nut	1	Lead-less brass	Nickel plating
③	Spring	1	Stainless steel	-
④	Holder	1	Lead-less brass	Nickel plating
⑤	Boot	1	Synthetic rubber	Green, Flammability UL94 V-0
⑥	Protection cap	2	PE	Plastic cap, White

Notes: 1 Item on Table 2 corresponds to the item reference number on Figure 1 to 11.  
2 Lead (Pb) content of lead-less brass shall be 1000 ppm or less.

#### 3.2 Physical Dimensions

Figure 1 show the SGP-N4 series housing.

Figure 2 to 7 shows the dimensions of the parts.

- In accordance with IEC 61754-13 Type FC-PC connector family.
- In accordance with JIS C 5970 F01 Type connectors.

#### 3.3 General Tolerances

Permissible deviation in dimensions without tolerance indication is in accordance with ISO 2768-m (JIS B 0405-m), as shown in Table 3.

Table 3 General Tolerance (ISO 2768-m)

Basic size step [mm]		Permissible deviation [mm]
Over	Under	
0.5	3	±0.1
3	6	±0.1
6	30	±0.2
30	120	±0.3

#### 3.4 Appearance

There shall be no burrs or scratches that affect the product.

## 4 FEATURE

### 4.1 Mechanical Characteristics

Mechanical characteristics are shown in table 4.

Table 4 Mechanical characteristics

Test item	Conditions		Appearance & function
Vibration	IEC 61300-2-1	Frequency: 10 to 55 Hz Amplitude: 1.5 mm p-p Direction: x, y, z axis Duration: 30 min / direction	There should be no deformation, crack, loose and other damages on the plug housing.
Mating durability	IEC 61300-2-2	500 times	It can be joined without any mechanical abnormality.

### 4.2 Environmental Characteristics

Environmental characteristics are shown in table 5.

Table 5 Environmental characteristics

Test item	Conditions		Appearance & function
Change of temperature	IEC 61300-2-22	-40 to +85 °C, 10 cycles	There should be no deformation, crack, loose and other damages on the plug housing.
Dry heat	IEC 61300-2-18	+85 °C, 240 hr	
Cold	IEC 61300-2-17	-40 °C, 240 hr	
Humidity / condensation cycling	Telcordia GR-326-CORE	-10 to +65 °C, 90 to 100 %RH, 14 cycles	

## 5 PACKING

The product is packed to prevent damage during shipment.

## 6 IDENTIFICATION

Identification label should indicate the part number and lot number of the product(s) and should be permanently attached to the packing bag.

## 7 HANDLING AND CARE

### 7.1 Conditions of Storage

For storage of the product, keep in the packing bag and keep away from corrosive gas, high-temperature and humidity, extreme-low temperature and direct sunlight.

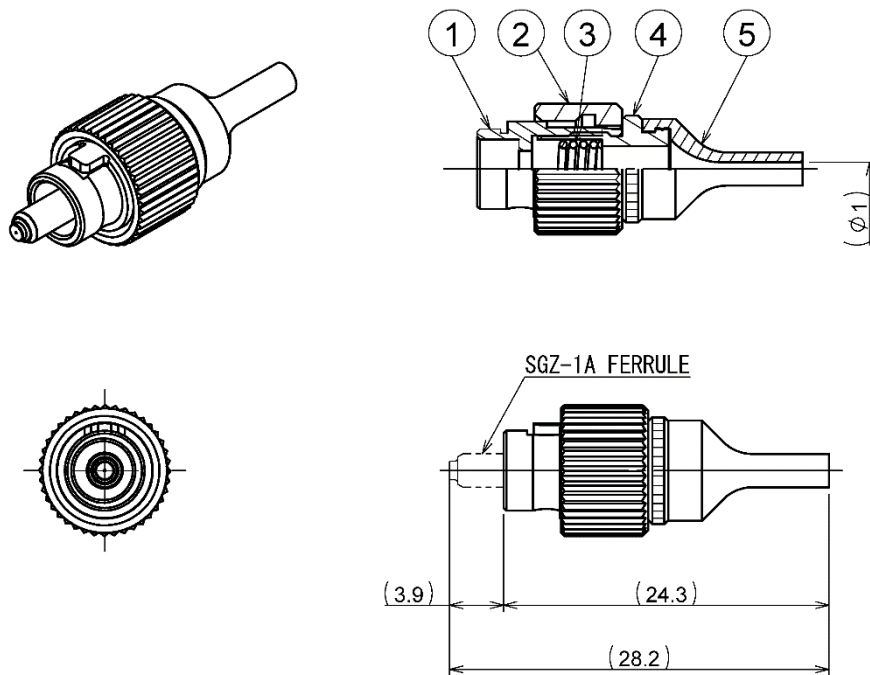
### 7.2 Precautions for Use

Contamination, oil, sweat and others debris on the ferrule end face may influence the performance of the product. If contamination is on the ferrule end face, wipe the end face with the end face cleaner.

### 7.3 Disposal

When discarding this product, please follow the regulations of your own country.

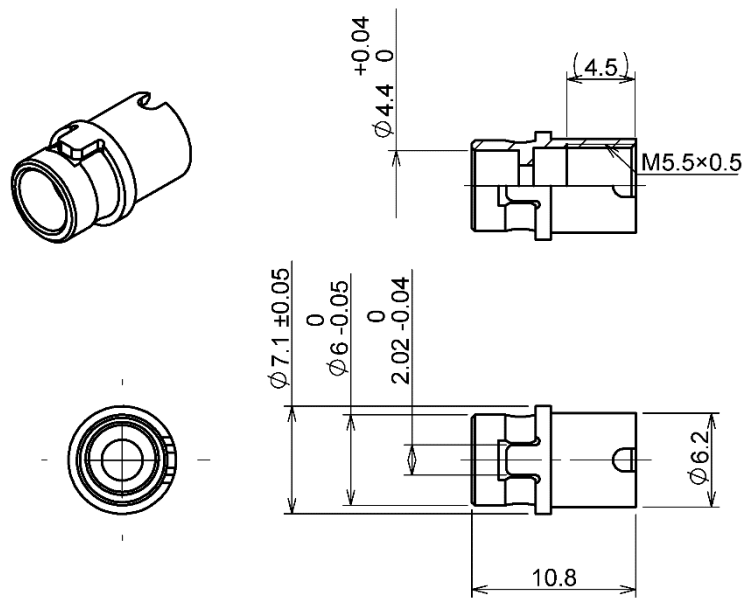




- Notes: 1 This drawing shows the tentatively assembled condition including a ferrule.  
 On practical shipment of SGP-N4 housing, this tentative assembly is not available.  
 2 This drawing does not include the cap.  
 3 The ferrule is not included in SGP-N4 housing.

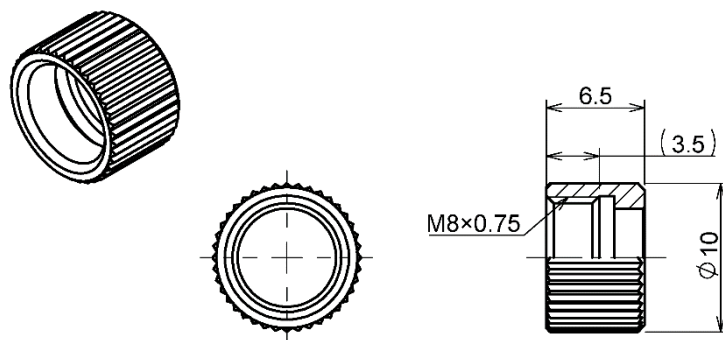
Unit: mm

Figure 1 SGP-N4 Series Housing (Cutout frame)



Unit: mm

Figure 2 ① Frame (Cutout frame)



Unit: mm

Figure 3 ② Coupling Nut

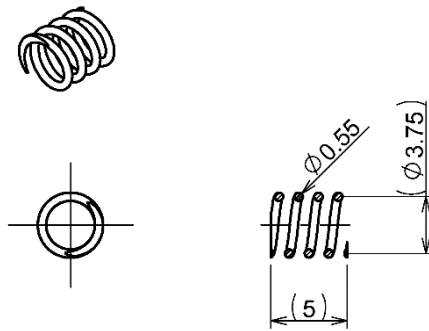


Figure 4 ③Spring

Unit: mm

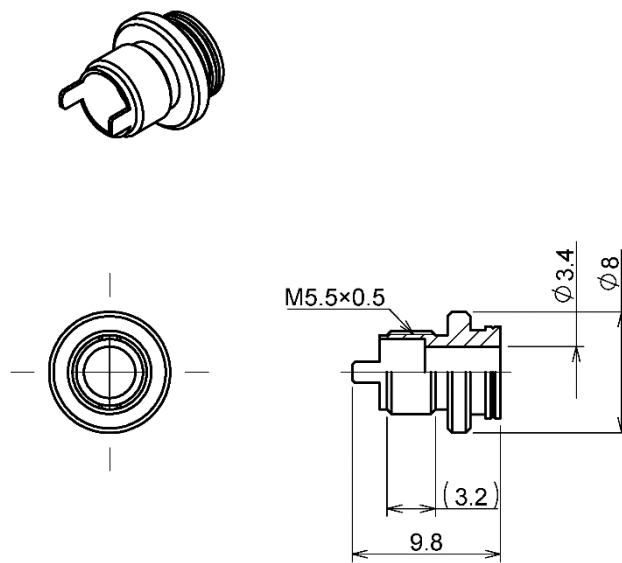


Figure 5 ④Holder

Unit: mm

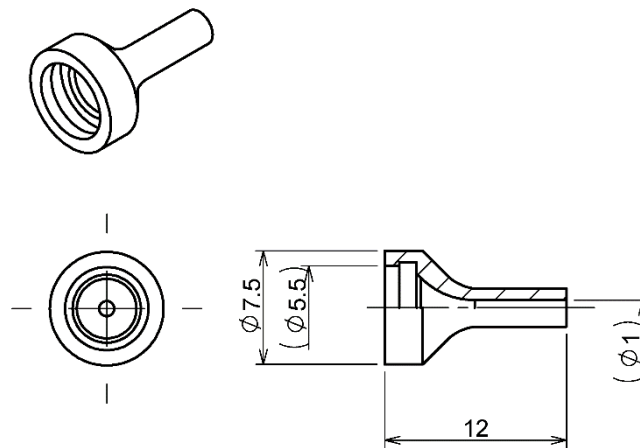


Figure 6 ⑤Boot

Unit: mm

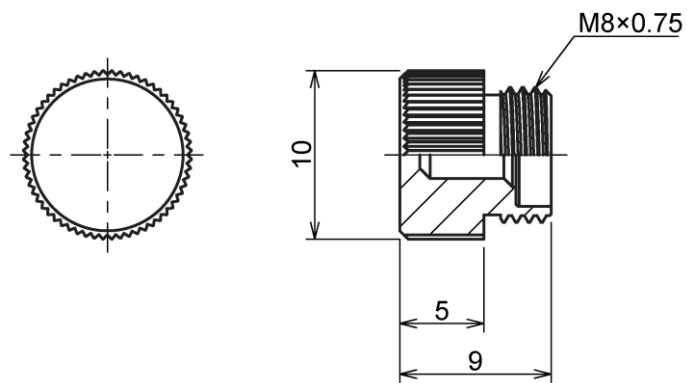


Figure 7 ⑥Cap (Plastic cap)

Unit: mm