

SNZ-1A1E Series

∅ 2.5 mm Single mode

Zirconia FERRULE

- for Angled-PC, Conical shape -

TECHNICAL SPECIFICATIONS



SEIKOH GIKEN Co.,Ltd.

296-1, MATSUHIDAI, MATSUDO-SHI,
CHIBA, 270-2214 JAPAN

TEL: +81-47-388-6111 FAX: +81-47-388-4477

SNZ-1A1E Series \varnothing 2.5 mm Single mode Zirconia FERRULE
- for Angled-PC, Conical shape -
TECHNICAL SPECIFICATIONS

S05-H555-01E July 2016

Copyright © 2016 by **SEIKOH GIKEN Co.,Ltd.**
All right reserved.

The information contained herein shall not be reproduced or disclosed to any third party without the express written consent of SEIKOH GIKEN Co., Ltd. The specifications and materials contained herein are subject to change without notice.

Please address any questions, comments, and suggestions to:

SEIKOH GIKEN USA, Inc.

4405 International Blvd., Suite B109
Norcross, GA 30093 U.S.A.
TEL: +1-770-279-6602
FAX: +1-770-279-8839

SEIKOH GIKEN Europe GmbH

Siemensstrasse 9
D-63263 Neu-Isenburg, Germany
TEL: +49-6102-297-701
FAX: +49-6102-297-750

SEIKOH GIKEN Hangzhou Co.,Ltd.

526 Binkang Road Binjiang District, Hangzhou,
Zhejiang, China 310052, P.R. China
TEL: +86-571-8777-4098
FAX: +86-571-8777-4099

TABLE OF CONTENTS

Section	Page
1 SCOPE	1
2 PART NUMBER.....	1
3 GENERAL SPECIFICATIONS	1
3.1 Physical Dimensions.....	1
3.3 Appearance	1
4 SHIPPING INSPECTION	2
5 PACKING	2
6 IDENTIFICATION.....	2
7 HANDLING AND CARE.....	2
7.1 Conditions of Storage.....	2
7.2 Precautions for Use	2
7.3 Disposal	2
8 DRAWING ATTACHED	2

Table

Table 1 Part Number.....	1
--------------------------	---

BLANK PAGE

1 SCOPE

These specifications apply to the SNZ-1A1E series \varnothing 2.5 mm single mode zirconia ferrule - for angled-PC, conical shape - supplied by SEIKOH GIKEN Co., Ltd.

2 PART NUMBER

Part number of the housing is shown in Table 1.

Table 1 Part Number

MODEL Number	TYPE Number																					
SNZ-1A	1	E	1	2	5	0	0	G														
<table border="1"> <thead> <tr> <th colspan="2">Flange</th> </tr> </thead> <tbody> <tr> <td>1 E</td> <td>Shape: Standard Material: Brass (Nickel plating)</td> </tr> </tbody> </table>			Flange		1 E	Shape: Standard Material: Brass (Nickel plating)	<table border="1"> <thead> <tr> <th colspan="2">Ferrule I.D. [mm]</th> </tr> </thead> <tbody> <tr> <td>1 2 5</td> <td>\varnothing 0.125</td> </tr> <tr> <td>1 2 F</td> <td>\varnothing 0.1255</td> </tr> </tbody> </table>				Ferrule I.D. [mm]		1 2 5	\varnothing 0.125	1 2 F	\varnothing 0.1255	<table border="1"> <thead> <tr> <th colspan="2">Auxiliary digit</th> </tr> </thead> <tbody> <tr> <td>0</td> <td>0 G</td> </tr> </tbody> </table>		Auxiliary digit		0	0 G
Flange																						
1 E	Shape: Standard Material: Brass (Nickel plating)																					
Ferrule I.D. [mm]																						
1 2 5	\varnothing 0.125																					
1 2 F	\varnothing 0.1255																					
Auxiliary digit																						
0	0 G																					

Please contact us for availability of other specifications.

3 GENERAL SPECIFICATIONS

3.1 Physical Dimensions

Physical Dimensions should comply with the drawing attached.

3.3 Appearance

There should be no remarkable burr or scratches.

4 SHIPPING INSPECTION

The ferrule outer diameter, ferrule hole diameter, concentricity of ferrule hole diameter, mating length and appearance are inspected before shipping and the inspection results are enclosed.

5 PACKING

The product is packed to prevent damage during shipment.

6 IDENTIFICATION

Identification label should indicate the part number and the lot number of the product(s) and should be permanently attached to the packing bag.

7 HANDLING AND CARE

7.1 Conditions of Storage

For storage of the product, keep in the packing bag and keep away from corrosive gas, high-temperature and humidity, extreme-low temperature and direct sunlight.

7.2 Precautions for Use

Contamination, oil, sweat and others debris on the ferrule end face may influence the performance of the product. If contamination is on the ferrule end face, wipe the end face with the end face cleaner.

7.3 Disposal

When discarding this product, please follow the regulations of your own country.

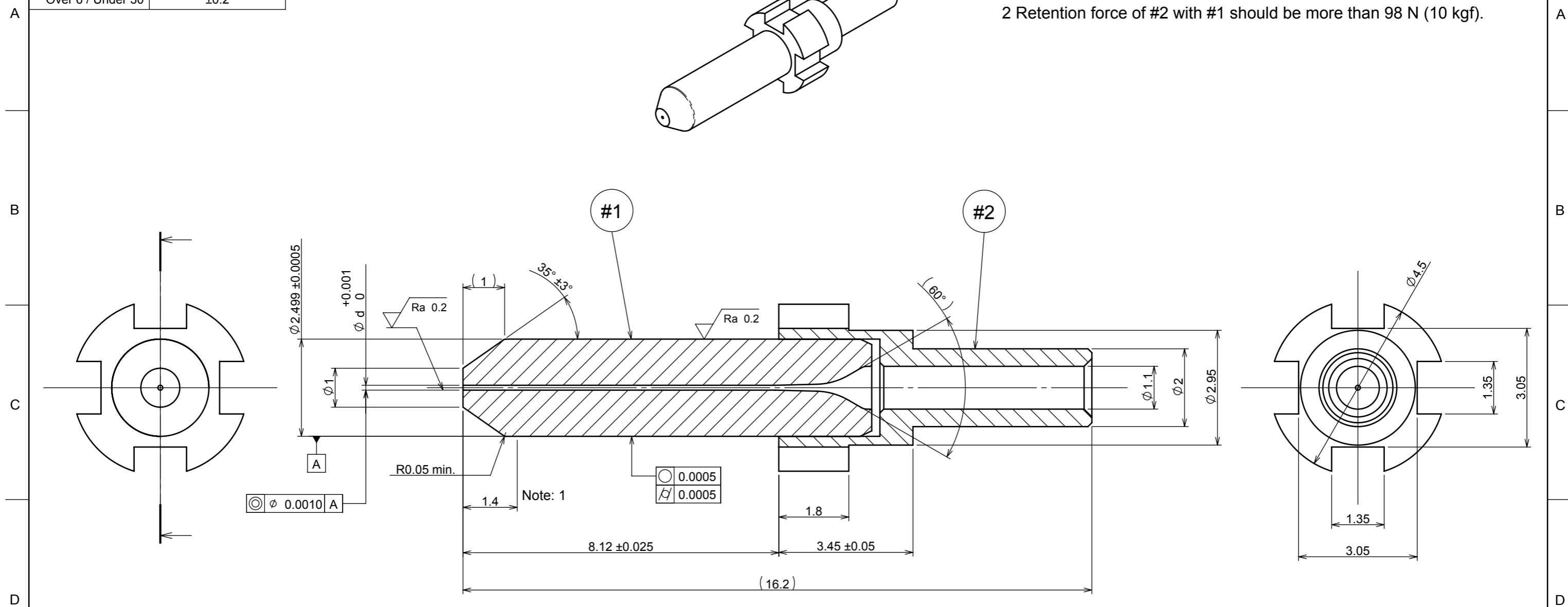
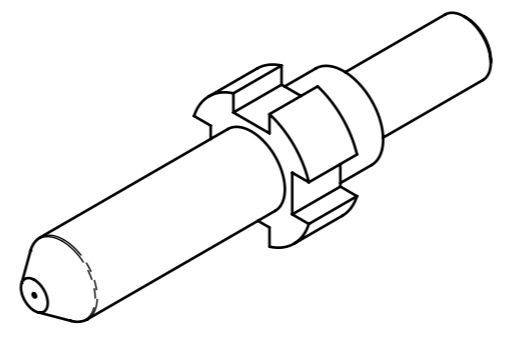
8 DRAWING ATTACHED

· S05-H555-D03E: SNZ-1A1E Ferrule

General Tolerance	
Basic size step	Permissible deviation
Under 6	±0.1
Over 6 / Under 30	±0.2

√ Ra 3.2 (√ Ra 0.2)

Notes: 1 Outside diameter of the capillary may be less than $\phi 2.498$ in the range of 1.4 mm from top of the end face.
2 Retention force of #2 with #1 should be more than 98 N (10 kgf).



Part Number	φd	Go Gauge	No Go Gauge
SNZ-1A1E12500G	φ0.125	φ0.1251 ± 0.0001	φ0.1261 ± 0.0001
SNZ-1A1E12F00G	φ0.1255	φ0.1256 ± 0.0001	φ0.1266 ± 0.0001

No.	NAME	MATERIAL	QTY	NOTE
#2	Flange	Brass	1	Nickel plating
#1	Capillary	Zirconia	1	Conical shape

MATERIAL (材料)		PART NO. (型番)	
TREATMENT (処理)		SNZ-1A1E	
SCALE (尺度)	UNIT (単位)	DATE (日付)	TITLE (名称)
FREE	1=1mm	05 Nov. 2015	
APPROVED BY (承認)	CHECKED BY (検図)	DESIGNED BY (設計)	DRAWN BY (製図)
Y. Kurakami	T. Ueno	J. Taira	J. Taira
ITEM NO. (品目コード)			SHEET NO. (枚数)
DRAWING NO. (図番)			PAGE (ページ)
SEIKOH GIKEN Co.,Ltd.			S05-H555-D03E

MARK (図歴)	Rev.	DMN NO. (設変NO.)	NOTE (変更記事)
		ISSUED	05 Nov. 2015