

MUNZ-1A14 Series

ø 1.25 mm Single mode

Zirconia FERRULE

- for MU-APC Connector -

TECHNICAL SPECIFICATIONS



SEIKOH GIKEN Co.,Ltd.
Fiber Optic Products Division
296-1, MATSUHIDAI, MATSUDO-SHI,
CHIBA, 270-2214 JAPAN.
TEL: +81-47-388-6111 FAX: +81-47-388-4477

MUNZ-1A14 Series \varnothing 1.25 mm Single mode Zirconia FERRULE
- for MU-APC Connector -
TECHNICAL SPECIFICATIONS

ACD-1NA2-01	November	2001
S05-H518-01E	June	2007
S05-H518-02E	September	2007

Copyright © 2001 - 2007 by **SEIKOH GIKEN Co.,Ltd.**
All right reserved.

The information contained herein shall not be reproduced or disclosed to any third party without the express written consent of SEIKOH GIKEN Co., Ltd.
The specifications contained herein are subject to change without notice.

Please address any questions, comments, and suggestions to:

SEIKOH GIKEN USA, Inc.
Headquarters

4405 International Blvd., Suite B109
Norcross, GA 30093 U.S.A.
TEL: +1-770-279-6602 FAX: +1-770-279-8839

Northeastern Field Office

714 Executive Drive
Princeton, NJ 08540
TEL: +1-609-279-0225 FAX: +1-609-279-0207

Western Field Office

21250 Hawthorne Boulevard, Suite 700
Torrance, CA 90503
TEL: +1-310-792-7450 FAX: +1-310-792-7451

SEIKOH GIKEN Europe GmbH
Frankfurt Branch

Siemensstrasse 9
D-63263 Neu-Isenburg, Germany
TEL: +49-6102-297-701
FAX: +49-6102-297-750

SEIKOH GIKEN Hong Kong Co.,Ltd.

Concordia Plaza 21/F Rm2111,
1 Science Museum Road, Tsim Sha Tsui East,
Kowloon, Hong Kong.
TEL: +852-26206551 FAX: +852-26206525

TABLE OF CONTENTS

Section	Page
1 SCOPE	1
2 PART NUMBER	1
3 GENERAL SPECIFICATIONS	2
3.1 Physical Dimensions	2
3.2 Appearance	2
4 SHIPPING INSPECTION	2
5 PACKING	2
6 IDENTIFICATION	2
7 HANDLING AND CARE	2
7.1 Conditions of Storage	2
7.2 Precautions of Use	2
7.3 Disposal	2
8 DRAWING ATTACHED	3

Table

Table 1	Part Number	1
---------	-------------	---

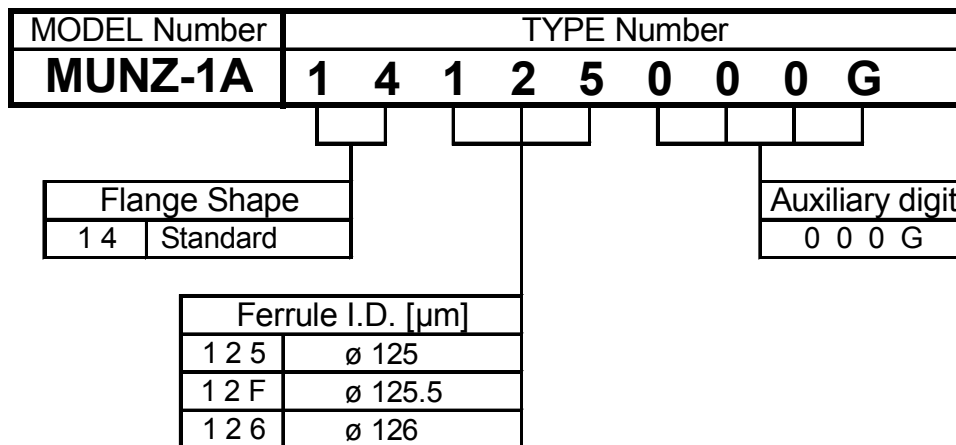
1 SCOPE

These specifications apply to the MUNZ-1A14 series \varnothing 1.25 mm single mode zirconia ferrule - for MU-APC connector - supplied by SEIKOH GIKEN Co., Ltd.

2 PART NUMBER

Part number of the ferrule is shown in Table 1.

Table 1 Part Number



Please contact us for availability of other specifications.

3 GENERAL SPECIFICATIONS

3.1 Physical Dimensions

Physical dimensions should comply with the drawing attached.

3.2 Appearance

There should be no remarkable burr, peeling of plating or scratches.

4 SHIPPING INSPECTION

The ferrule outer diameter, ferrule hole diameter, concentricity of ferrule hole diameter, mating length and appearance are inspected before shipping and the inspection results are enclosed.

5 PACKING

The product is packed to prevent damage during shipment.

6 IDENTIFICATION

Identification label should indicate the part number and the lot number of the product(s) and should be permanently attached to the packing bag.

7 HANDLING AND CARE

7.1 Conditions of Storage

Keep the product, in the packing bag, at the following conditions for its storage.

- Storage temperature: -40 to +85 degrees C
- Storage humidity: 0 to 85%RH, non-condensing

7.2 Precautions for Use

Contamination, oil, sweat and others debris on the ferrule end face may influence the performance of the product. If contamination is on the ferrule end face, wipe the end face with the end face cleaner.

7.3 Disposal

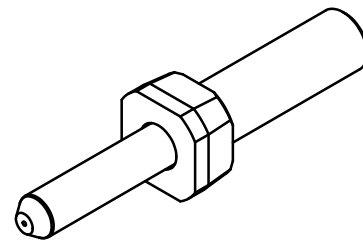
When discarding this product, please follow the regulations of your own country.

8 DRAWING ATTACHED

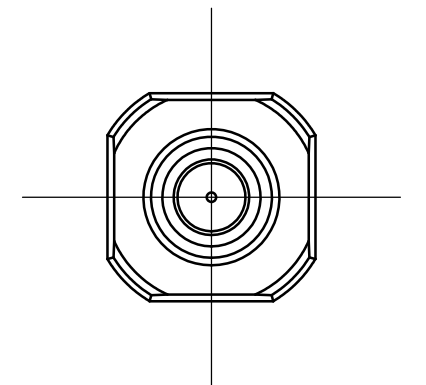
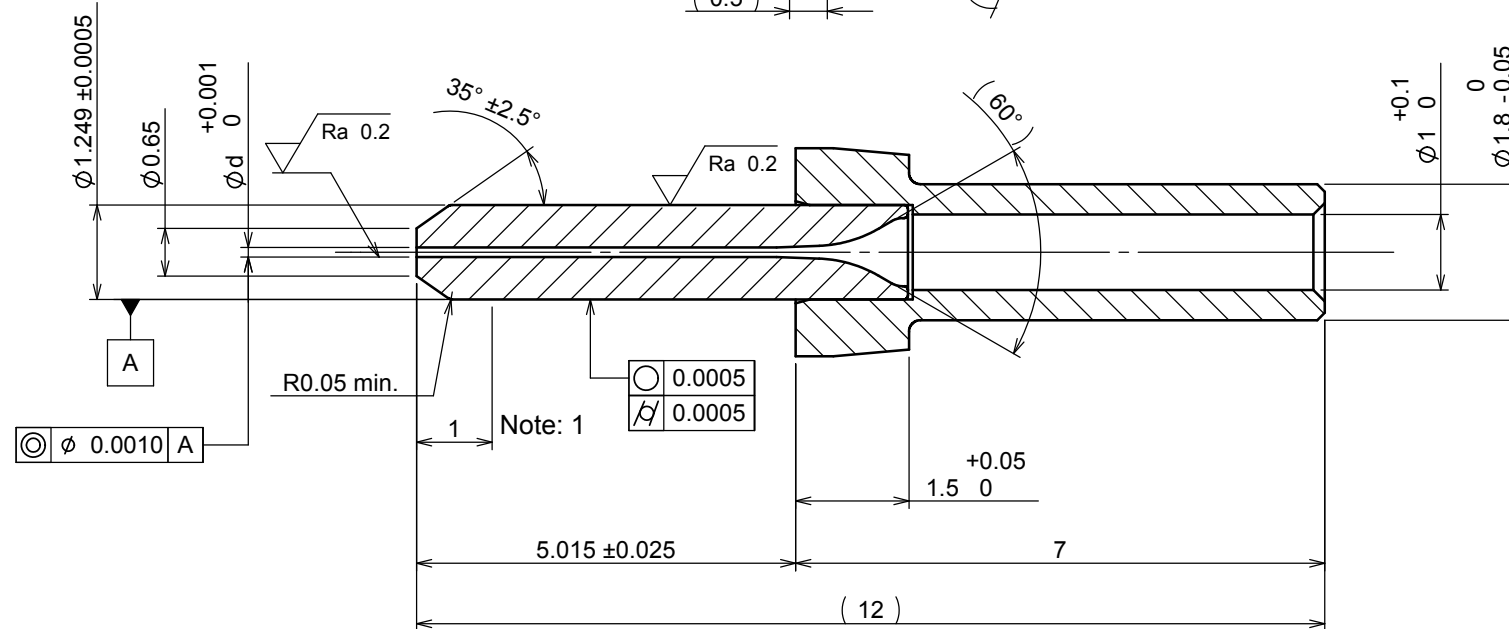
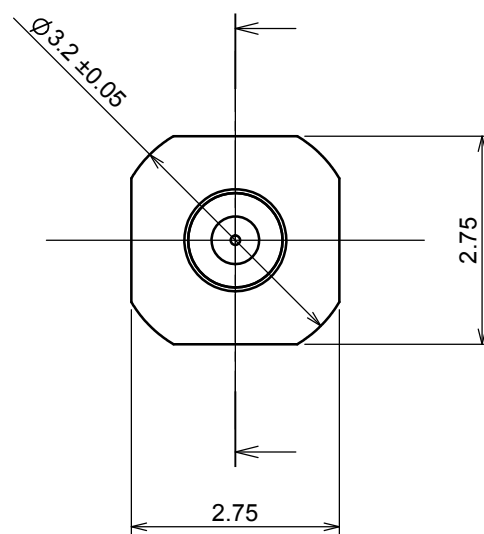
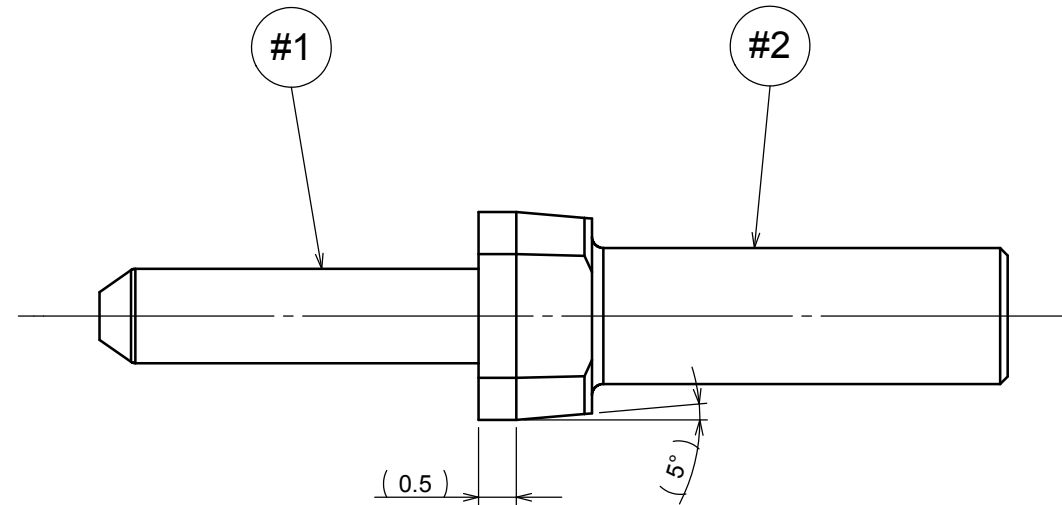
· S05-H518-D01E: MUNZ-1A14 Ferrule

General Tolerance	
Basic size step	Permissible deviation
Under 6	±0.1
Over 6 / Under 30	±0.2

√ Ra 3.2 (∇ Ra 0.2)



Notes: 1 Outside diameter of the capillary may be less than ϕ 1.248 in the range of 1 mm from top of the end face.
2 Retention force of #2 with #1 should be more than 50N.



No.	NAME	MATERIAL	QTY	NOTE
#2	Flange	Brass	1	Nickel Plating
#1	Capillary	Zirconia	1	-

Part Number	ϕ d	Go Gauge	No Go Gauge
MUNZ-1A 14125000G	ϕ 0.125	ϕ 0.1251 ± 0.0001	ϕ 0.1261 ± 0.0001
MUNZ-1A 1412F000G	ϕ 0.1255	ϕ 0.1256 ± 0.0001	ϕ 0.1266 ± 0.0001
MUNZ-1A 14126000G	ϕ 0.126	ϕ 0.1261 ± 0.0001	ϕ 0.1271 ± 0.0001

MATERIAL (材料)		PART NO. (型番)		MUNZ-1A14 Series	
TREATMENT (処理)		TITLE (名称)		MUNZ-1A 1412*000G	
SCALE (尺度)	UNIT (単位)	DATE (日付)	FERRULE		
FREE	1=1mm	Jun. 14, 2007			
APPROVED BY (承認)	CHECKED BY (検図)	DESIGNED BY (設計)	DRAWN BY (製図)	ITEM NO. (品目コード)	SHEET NO. (枚数)
Y. Kakutani	T. Ueno	J. Taira	J. Taira		
DRAWING NO. (図番)				PAGE (ページ)	
SEIKOH GIKEN Co.,Ltd.				S05-H518-D01E	