

SAP-6 Series

FC HOUSING

- for PC/Angled-PC, \varnothing 0.9 mm buffered fiber -

TECHNICAL SPECIFICATIONS



SEIKOH GIKEN Co.,Ltd.
Fiber Optic Products Division
296-1, MATSUHIDAI, MATSUDO-SHI,
CHIBA, 270-2214 JAPAN.
TEL: +81-47-388-6111 FAX: +81-47-388-4477

SAP-6 Series FC HOUSING - for PC/Angled-PC, \varnothing 0.9 mm buffered fiber -
TECHNICAL SPECIFICATIONS

ACD-1NBG-01	December	2001
S05-H021-01E	July	2006
S05-H021-02E	February	2009

Copyright © 2001 - 2009 by **SEIKOH GIKEN Co.,Ltd.**
All right reserved.

The information contained herein shall not be reproduced or disclosed to any third party without the express written consent of SEIKOH GIKEN Co., Ltd..
The Specifications contained herein are subject to change without notice.

Please address any questions, comments, and suggestions to:

SEIKOH GIKEN USA, Inc.

Headquarters

4405 International Blvd., Suite B109
Norcross, GA 30093 U.S.A.
TEL: +1-770-279-6602 FAX: +1-770-279-8839

Western Field Office

21250 Hawthorne Boulevard, Suite 700
Torrance, CA 90503
TEL: +1-310-792-7450 FAX: +1-310-792-7451

SEIKOH GIKEN Europe GmbH

Siemensstrasse 9
D-63263 Neu-Isenburg, Germany
TEL: +49-6102-297-701
FAX: +49-6102-297-750

SEIKOH GIKEN Hong Kong Co.,Ltd.

Concordia Plaza 21/F Rm2111,
1 Science Museum Road, Tsim Sha Tsui East,
Kowloon, Hong Kong.
TEL: +852-26206551 FAX: +852-26206525

TABLE OF CONTENTS

Section		Page
1	SCOPE	1
2	PART NUMBER	1
3	GENERAL SPECIFICATIONS	2
	3.1 Parts and Materials	2
	3.2 Physical Dimensions	2
	3.3 General Tolerance	2
	3.4 Appearance	3
4	PACKING	3
5	IDENTIFICATION	3
6	HANDLING AND CARE	3
	6.1 Conditions of Storage	3
	6.2 Precautions of Use	3
	6.3 Disposal	3

Table

Table 1	Part Number	1
Table 2	Parts and Materials	2
Table 3	General Tolerance	2

Figure

Figure 1	SAP-6 Series Housing (for PC application, Rubber Boot)	4
Figure 2	SAP-6 Series Housing (for APC application, Rubber Boot)	5
Figure 3	SAP-6 Series Housing (for PC application, Plastic Boot)	6
Figure 4	SAP-6 Series Housing (for APC application, Plastic Boot)	7
Figure 5 to 15	Dimensions of Parts	8 to 12




1. SCOPE

These specifications apply to the SAP-6 series FC housing - for PC/angled-PC, \varnothing 0.9 mm buffered fiber - supplied by SEIKOH GIKEN Co., Ltd.

2. PART NUMBER

Part number of the housing is shown in Table 1.

Table 1 Part Number

MODEL Number		TYPE Number																																																				
SAP-6		5	8	0	A	0	D	0	G																																													
<table border="1"> <thead> <tr> <th colspan="2">Boot Color</th> </tr> </thead> <tbody> <tr> <td>1</td> <td>Black</td> </tr> <tr> <td>3</td> <td>White</td> </tr> <tr> <td>5</td> <td>Blue</td> </tr> <tr> <td>8</td> <td>Green</td> </tr> </tbody> </table>		Boot Color		1	Black	3	White	5	Blue	8	Green	<table border="1"> <thead> <tr> <th colspan="2">Boot I.D. [mm], Marking</th> </tr> </thead> <tbody> <tr> <td>8 0</td> <td>for \varnothing 0.9 buffered fiber (Rubber), No Marking</td> </tr> <tr> <td>9 1</td> <td>for \varnothing 0.9 buffered fiber (Plastic), </td> </tr> </tbody> </table>		Boot I.D. [mm], Marking		8 0	for \varnothing 0.9 buffered fiber (Rubber), No Marking	9 1	for \varnothing 0.9 buffered fiber (Plastic), 	<table border="1"> <thead> <tr> <th colspan="2">Specification</th> </tr> </thead> <tbody> <tr> <td>D</td> <td>N-type - Wide Key -</td> </tr> <tr> <td>K</td> <td>R-type - Narrow Key -</td> </tr> </tbody> </table>			Specification		D	N-type - Wide Key -	K	R-type - Narrow Key -	<table border="1"> <thead> <tr> <th colspan="2">Auxiliary digit</th> </tr> </thead> <tbody> <tr> <td>0</td> <td>G</td> </tr> </tbody> </table>		Auxiliary digit		0	G	<table border="1"> <thead> <tr> <th colspan="2">Package</th> </tr> </thead> <tbody> <tr> <td>0</td> <td>Bulk Package</td> </tr> </tbody> </table>		Package		0	Bulk Package	<table border="1"> <thead> <tr> <th colspan="2">Cap</th> </tr> </thead> <tbody> <tr> <td>1</td> <td>Black PVC Cap</td> </tr> <tr> <td>3</td> <td>White Plastic Cap</td> </tr> <tr> <td>8</td> <td>Green PVC Cap</td> </tr> <tr> <td>A</td> <td>Black Ferrule Cap</td> </tr> <tr> <td>B</td> <td>Green Ferrule Cap</td> </tr> </tbody> </table>		Cap		1	Black PVC Cap	3	White Plastic Cap	8	Green PVC Cap	A	Black Ferrule Cap	B	Green Ferrule Cap
Boot Color																																																						
1	Black																																																					
3	White																																																					
5	Blue																																																					
8	Green																																																					
Boot I.D. [mm], Marking																																																						
8 0	for \varnothing 0.9 buffered fiber (Rubber), No Marking																																																					
9 1	for \varnothing 0.9 buffered fiber (Plastic), 																																																					
Specification																																																						
D	N-type - Wide Key -																																																					
K	R-type - Narrow Key -																																																					
Auxiliary digit																																																						
0	G																																																					
Package																																																						
0	Bulk Package																																																					
Cap																																																						
1	Black PVC Cap																																																					
3	White Plastic Cap																																																					
8	Green PVC Cap																																																					
A	Black Ferrule Cap																																																					
B	Green Ferrule Cap																																																					

3 GENERAL SPECIFICATIONS

3.1 Parts and Materials

Parts and the materials are shown in Table 2.

Table 2 Parts and Materials

No.	Part Name	Qty	Material	Notes
①-1	Frame	1	Zinc Die-casting	N-type - Wide Key -, Nickel Plating
①-2				R-type - Narrow Key -, Nickel Plating
②	Spring	1	Stainless Steel	-
③	Coupling Nut	1	Brass	Nickel Plating
④-1	Stopper	1	Brass	for Rubber Boot, Nickel Plating
④-2				for Plastic Boot, Nickel Plating
⑤-1	Boot	1	Silicone	Rubber Boot, Flammability UL94 V-0
⑤-2			TPEE	Plastic Boot, Flammability UL94 V-0
⑥-1	Cap	1	PP	Ferrule Cap
⑥-2			PVC	PVC Cap
⑥-3			PE	Plastic Cap, White

Note: Item on Table 2 corresponds to the item reference number on Figure 1 to 15.

3.2 Physical Dimensions

Figure 1 to 4 show the SAP-6 series housing.

Figure 5 to 15 show the dimensions of the parts.

- In accordance with IEC 61754-13 Type FC-PC connector family.
- In accordance with JIS C 5970 F01 Type connectors.

3.3 General Tolerances

Permissible deviation in dimensions without tolerance indication is in accordance with ISO 2768-m (JIS B 0405-m), as shown in Table 3.

Table 3 General Tolerance (ISO 2768-m)

Basic size step [mm]		Permissible deviation [mm]
Over	Under	
0.5	3	±0.1
3	6	±0.1
6	30	±0.2
30	120	±0.3

3.4 Appearance

There should be no burr, peeling of plating or scratches that affect the product.

4 PACKING

The product is packed to prevent damage during shipment.

5 IDENTIFICATION

Identification label should indicate the part number and the lot number of the product(s) and should be permanently attached to the packing bag.

6 HANDLING AND CARE

6.1 Conditions of Storage

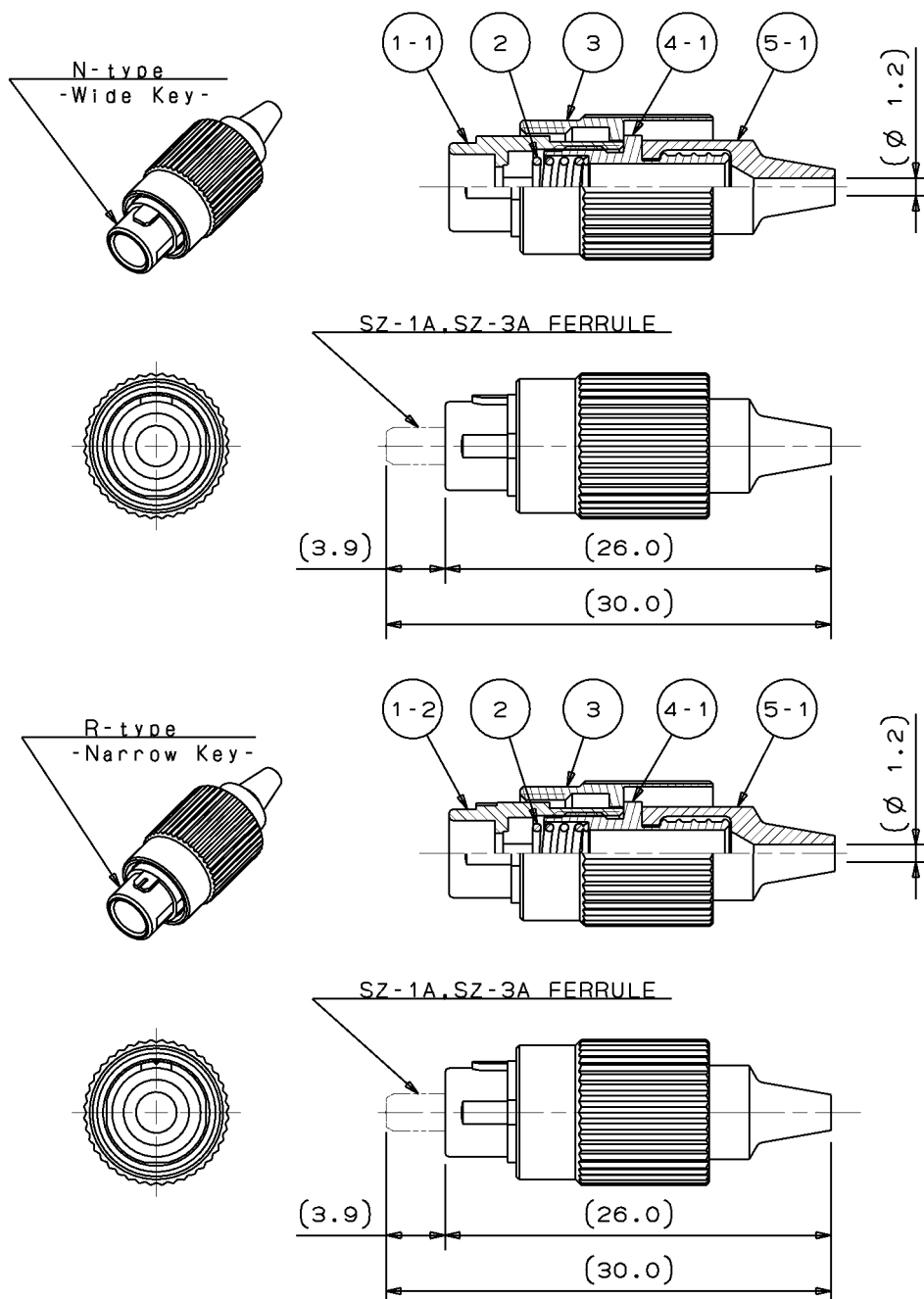
For storage of the product, keep in the packing bag and keep away from corrosive gas, high-temperature and humidity, extreme-low temperature and direct sunlight.

6.2 Precautions for Use

Contamination, oil, sweat and others debris on the ferrule end face may influence the performance of the product. If contamination is on the ferrule end face, wipe the end face with the end face cleaner.

6.3 Disposal

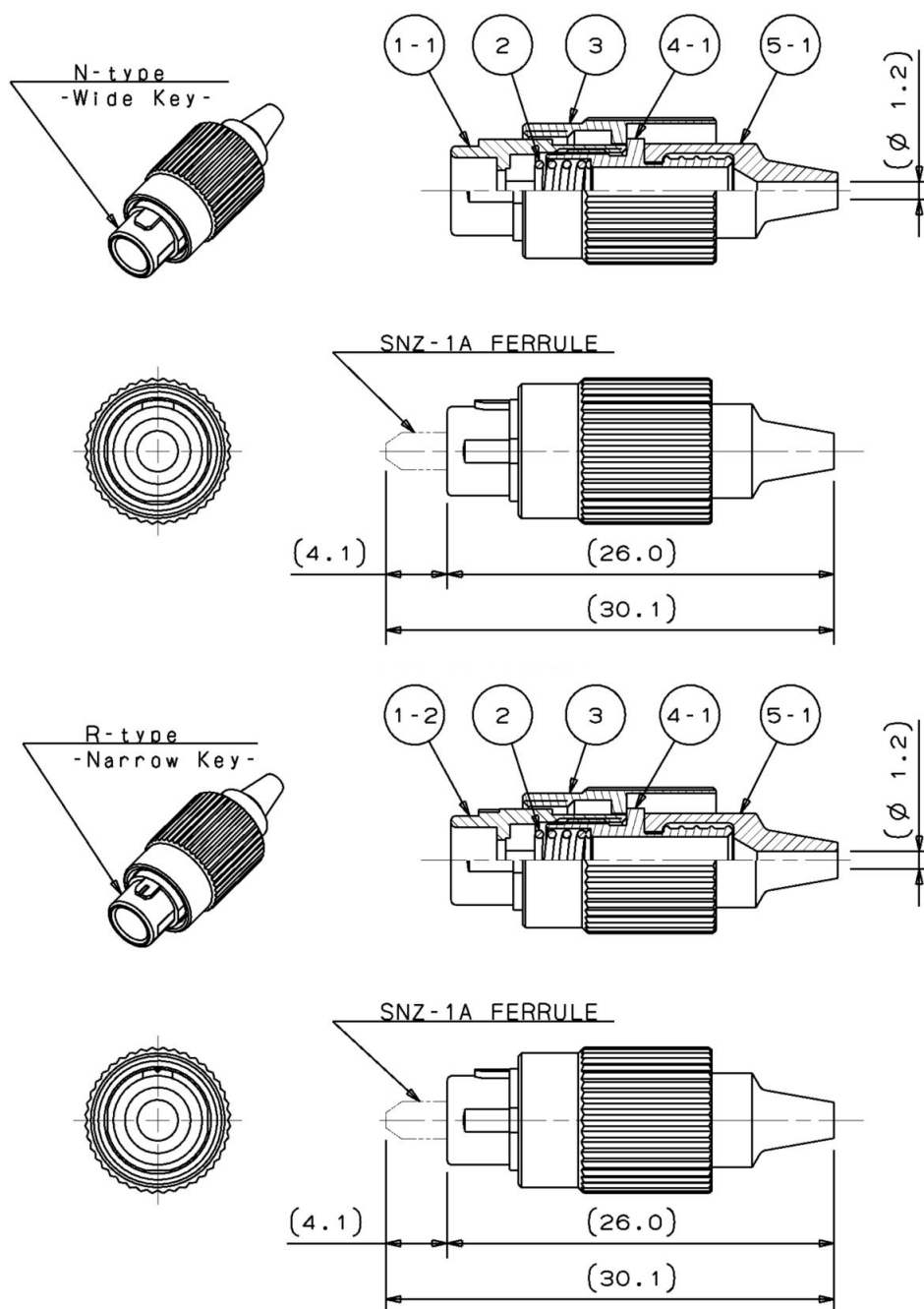
When discarding this product, please follow the regulations of your own country.



- Notes: 1 This drawing shows the tentatively assembled condition including a ferrule.
On practical shipment of SAP-6 housing, this tentative assembly is not available.
2 This drawing does not include the cap.
3 The ferrule is not included in SAP-6 housing.

Unit: mm

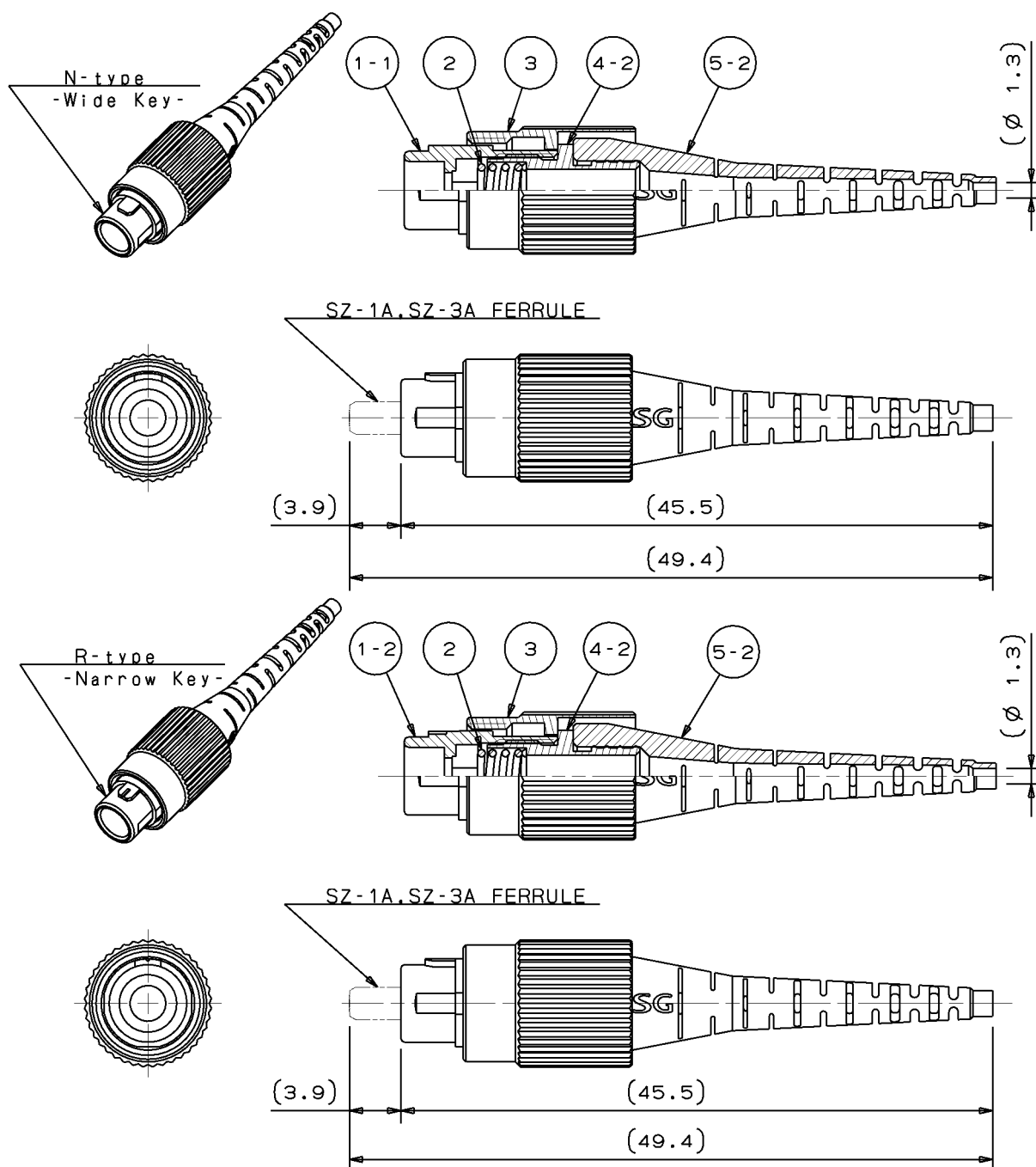
Figure 1 SAP-6 Series Housing (for PC application, Rubber Boot)



- Notes: 1 This drawing shows the tentatively assembled condition including a ferrule. On practical shipment of SAP-6 housing, this tentative assembly is not available.
 2 This drawing does not include the cap.
 3 The ferrule is not included in SAP-6 housing.

Unit: mm

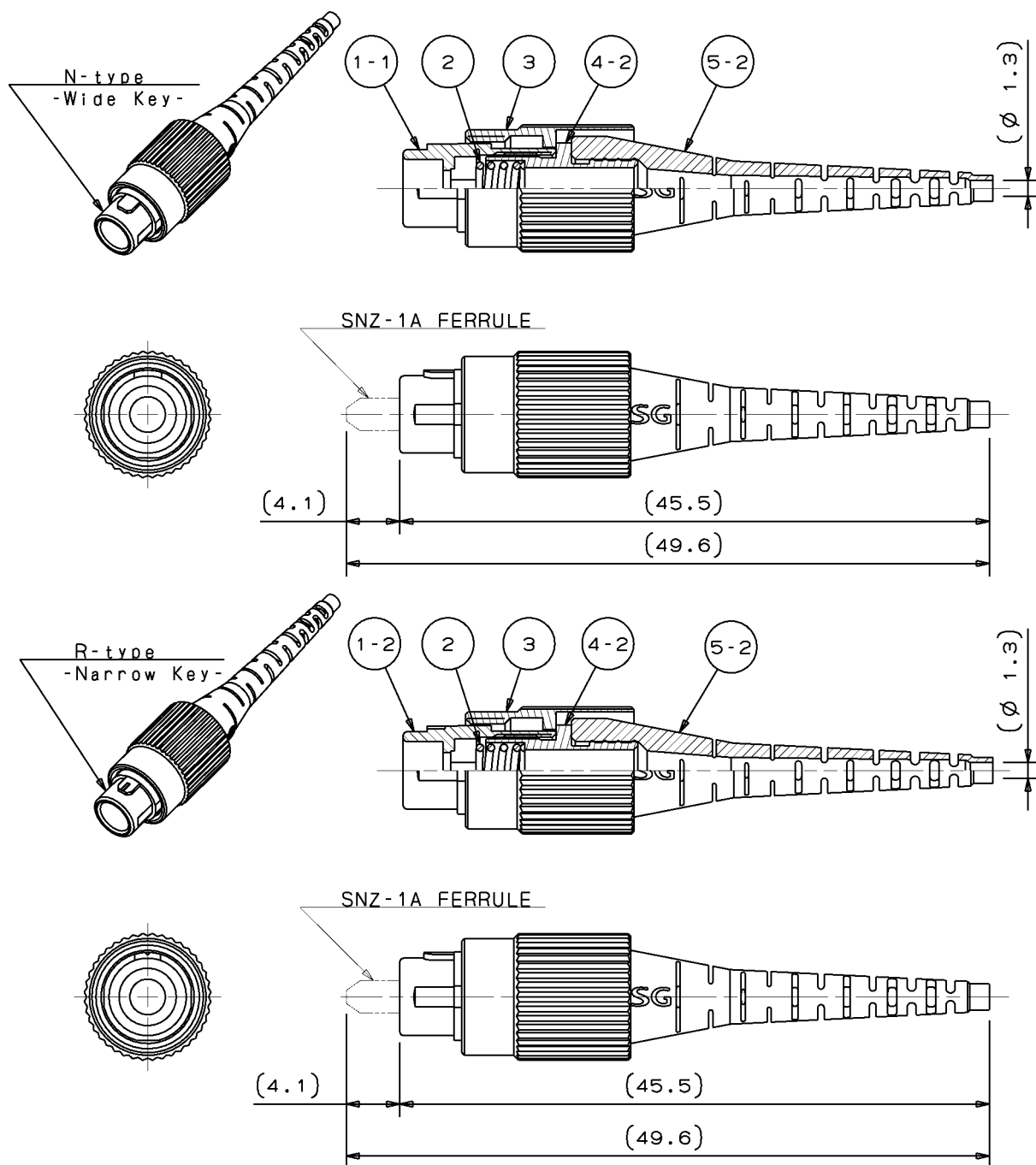
Figure 2 SAP-6 Series Housing (for APC application, Rubber Boot)



- Notes: 1 This drawing shows the tentatively assembled condition including a ferrule. On practical shipment of SAP-6 housing, this tentative assembly is not available.
2 This drawing does not include the cap.
3 The ferrule is not included in SAP-6 housing.

Unit: mm

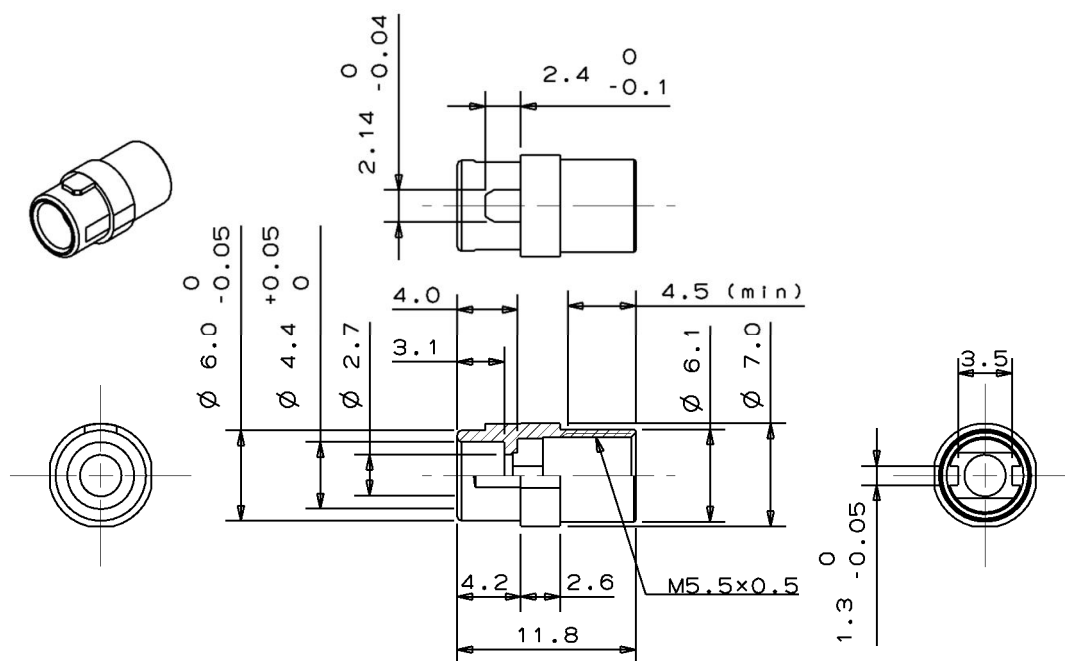
Figure 3 SAP-6 Series Housing (for PC application, Plastic Boot)



- Notes: 1 This drawing shows the tentatively assembled condition including a ferrule. On practical shipment of SAP-6 housing, this tentative assembly is not available.
 2 This drawing does not include the cap.
 3 The ferrule is not included in SAP-6 housing.

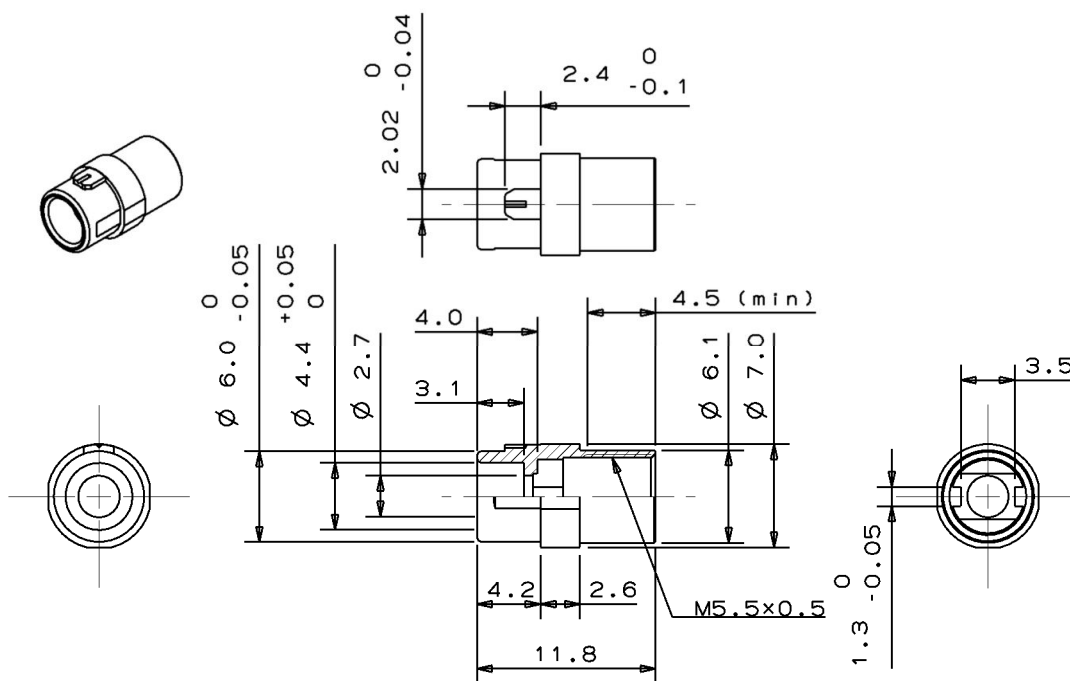
Unit: mm

Figure 4 SAP-6 Series Housing (for APC application, Plastic Boot)



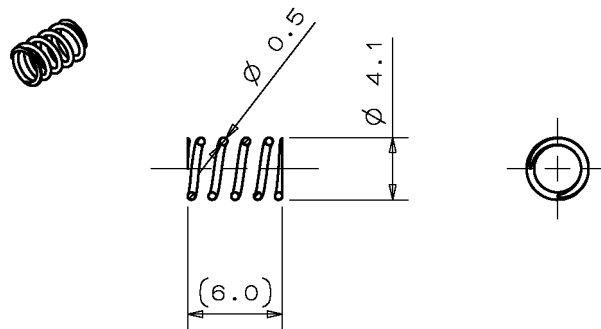
Unit: mm

Figure 5 ①-1 Frame (N-type - Wide Key -)



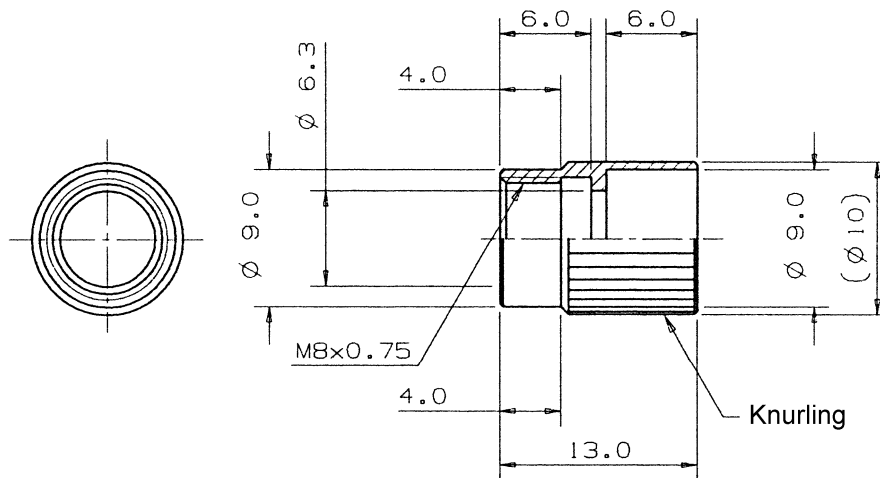
Unit: mm

Figure 6 ①-2 Frame (R-type - Narrow Key -)



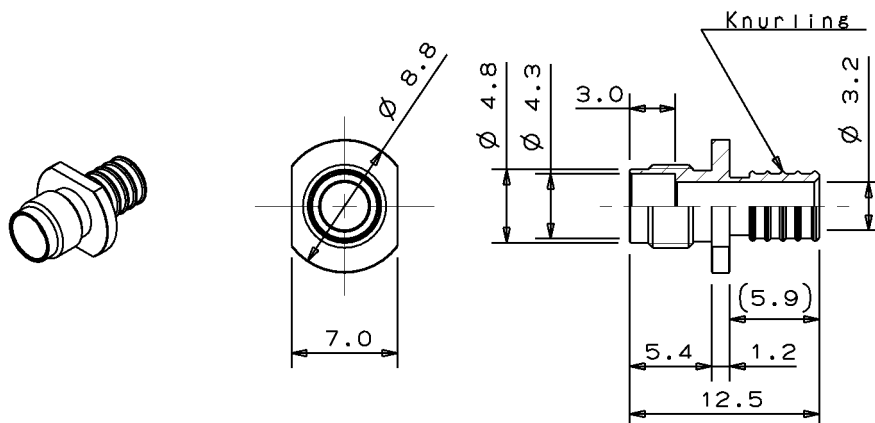
Unit: mm

Figure 7 ② Spring



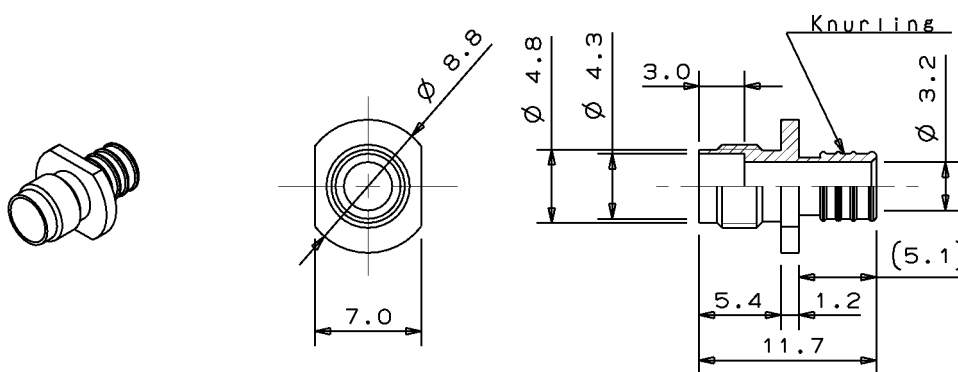
Unit: mm

Figure 8 ③ Coupling Nut



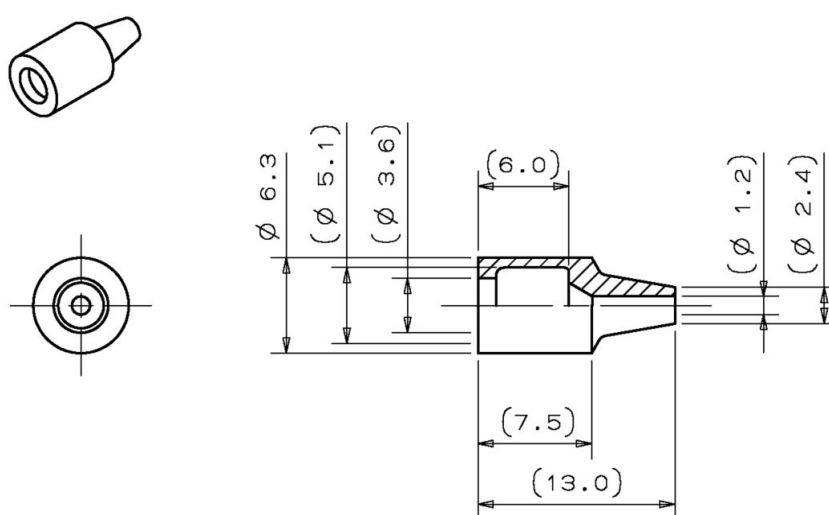
Unit: mm

Figure 9 ④-1 Stopper (for Rubber Boot)



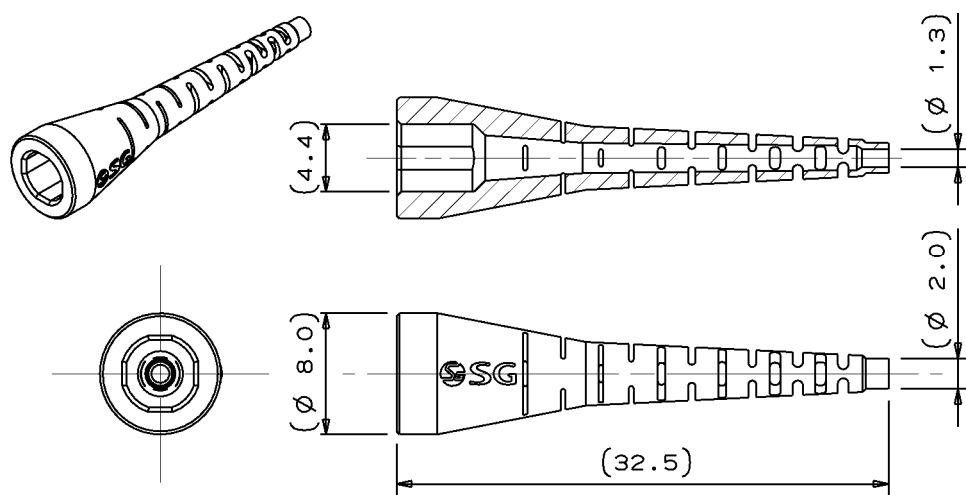
Unit: mm

Figure 10 ④-2 Stopper (for Plastic Boot)



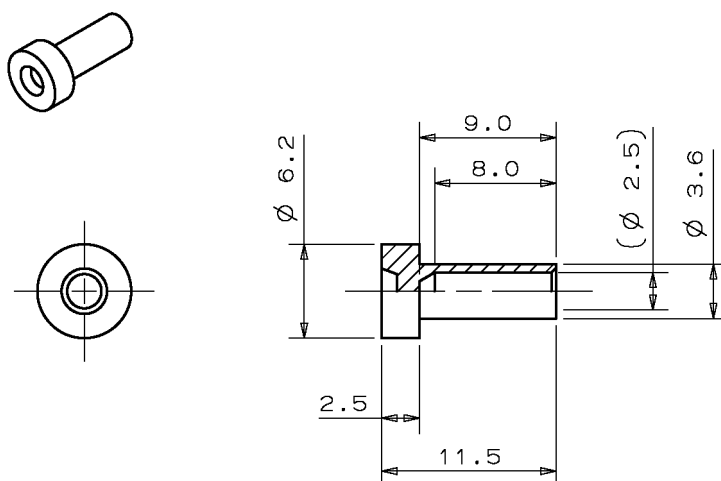
Unit: mm

Figure 11 ⑤-1 Boot (Rubber Boot)



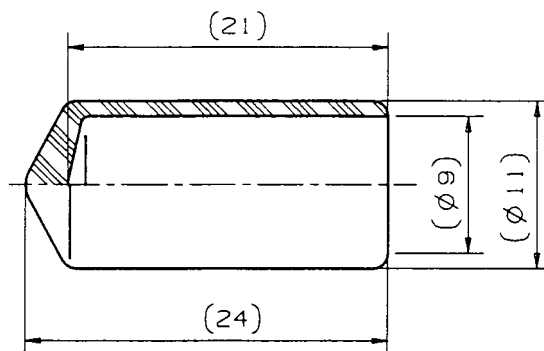
Unit: mm

Figure 12 ㊟-2 Boot (Plastic Boot)



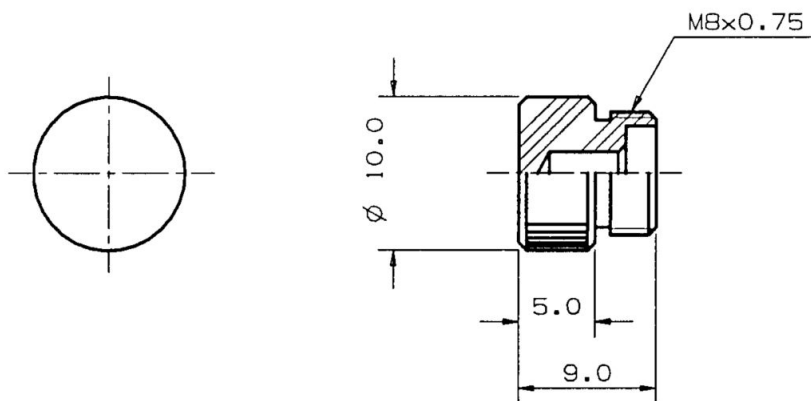
Unit: mm

Figure 13 ㊟-1 Cap (Ferrule Cap)



Unit: mm

Figure 14 ㊟-2 Cap (PVC Cap)



Unit: mm

Figure 15 ©-3 Cap (Plastic Cap)