

SLC-P1 Series
Single mode
LC CONNECTOR PLUG
- for \varnothing 0.9 mm buffered fiber -
TECHNICAL SPECIFICATIONS



SEIKOH GIKEN Co.,Ltd.
Fiber Optic Products Division
296-1, MATSUHIDAI, MATSUDO-SHI,
CHIBA, 270-2214 JAPAN.
TEL: +81-47-388-6111 FAX: +81-47-388-4477

**SLC-P1 Series LC CONNECTOR PLUG - for \varnothing 0.9 mm buffered fiber -
TECHNICAL SPECIFICATIONS**

ACD-25B2-01	June	2002
ACD-25B2-02	March	2003
ACD-25B2-03	May	2005
S05-H038-01E	July	2006
S05-H038-02E	January	2010
S05-H088-01E	April	2011

Copyright © 2002 - 2011 by **SEIKOH GIKEN Co.,Ltd.**
All right reserved.

The information contained herein shall not be reproduced or disclosed to any third party without the express written consent of SEIKOH GIKEN Co., Ltd.
The specifications and materials contained herein are subject to change without notice.

Please address any questions, comments, and suggestions to:

SEIKOH GIKEN USA, Inc.

4405 International Blvd., Suite B109
Norcross, GA 30093 U.S.A.
TEL: +1-770-279-6602
FAX: +1-770-279-8839

SEIKOH GIKEN Europe GmbH

Siemensstrasse 9
D-63263 Neu-Isenburg, Germany
TEL: +49-6102-297-701
FAX: +49-6102-297-750

SEIKOH GIKEN Hangzhou Co.,Ltd.

526 Binkang Road Binjiang District, Hangzhou,
Zhejiang, China 310052, P.R. China
TEL: +86-571-8777-4098
FAX: +86-571-8777-4099

TABLE OF CONTENTS

Section		Page
1	SCOPE	1
2	PART NUMBER	1
3	GENERAL SPECIFICATIONS	2
	3.1 Parts and Materials	2
	3.2 Physical Dimensions	2
	3.3 General Tolerance	3
	3.4 Appearance	3
4	PACKING	3
5	IDENTIFICATION	3
6	HANDLING AND CARE	3
	6.1 Conditions of Storage	3
	6.2 Precautions of Use	3
	6.3 Disposal	3

Table

Table 1	Part Number	1
Table 2	Parts and Materials	2
Table 3	Parts and Materials of Main Body	2
Table 4	Physical Specifications	2
Table 5	General Tolerance	3

Figure

Figure 1	SLC-P1 Series Connector Plug	4
Figure 2	Main Body	5
Figure 3, 4	Dimensions of Parts	6

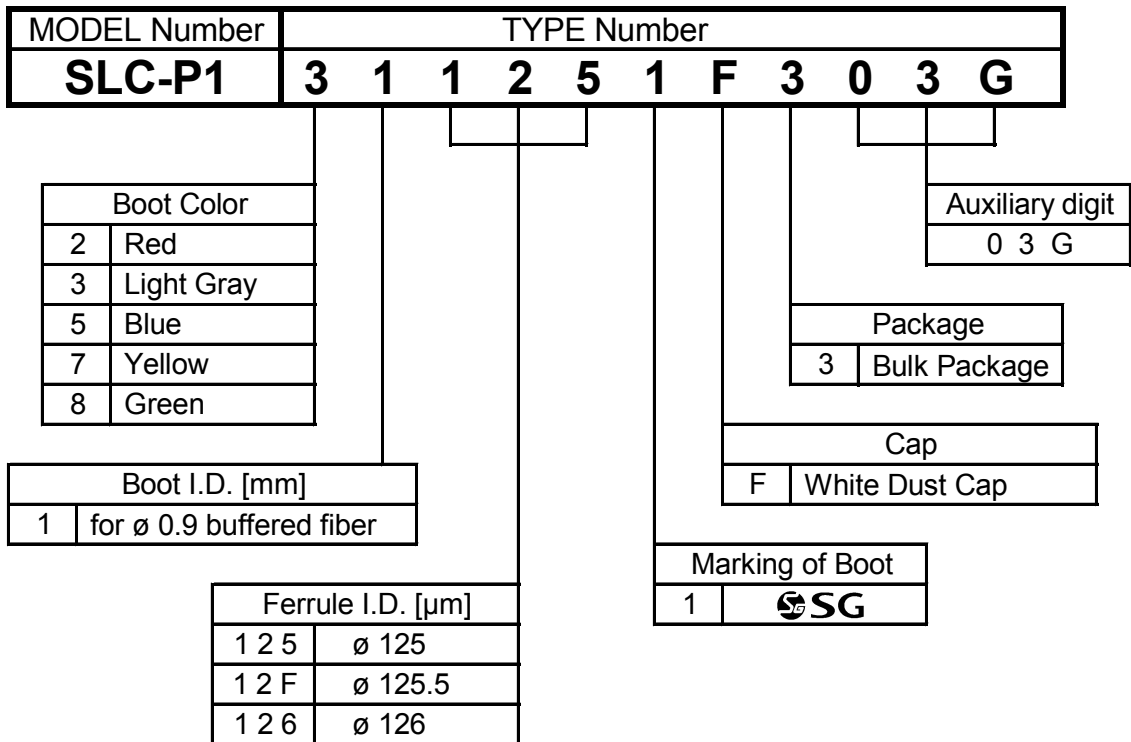
1 SCOPE

These specifications apply to the SLC-P1 series LC connector plug - for \varnothing 0.9 mm buffered fiber - supplied by SEIKOH GIKEN Co., Ltd.

2 PART NUMBER

Part number of the connector plug is shown in Table 1.

Table 1 Part Number



Please contact us for availability of other specifications.

3 GENERAL SPECIFICATIONS

3.1 Parts and Materials

Parts and materials are shown in Table 2 and 3.

Table 2 Parts and Materials

Item	Part Name	Qty	Material	Notes
①	Main Body ^{Note 2}	1	See Table 3	See Table 3
②	Boot	1	TPEE	Flammability UL94 V-0
③	Cap ^{Note 2}	1	PBT	Dust Cap White, Flammability UL94 V-0

Notes 1: Item on Table 2 corresponds to the item reference number on Figure 1 to 4.

2: ①Main Body and ③Cap are supplied as the combined unit.

Table 3 Parts and Materials of Main Body

Item	Part Name	Qty	Material	Notes
③	Capillary	1	Zirconia	-
④	Flange	1	Brass	Nickel Plating
⑤	Tubing	1	PTFE	Clear, Flammability UL94 V-0
⑥	Plug Frame	1	PPSU	Blue, Flammability UL94 V-0
⑦	Spring	1	Stainless Steel	-
⑧	Stopper	1	PBT-GF	Blue, Flammability UL94 V-0

Note: Item on Table 3 corresponds to the item reference number on Figure 2.

3.2 Physical Dimensions

Figure 1 shows the SLC-P1 series connector plug.

Figure 2 shows the main body.

Figure 3 and 4 show the dimensions of the parts.

Table 4 shows the physical specifications of the SLC-P1 series connector plug.

- In accordance with IEC 61754-20 Type LC connector family.
- In accordance with JIS C 5964-20 Type LC connector family.

Table 4 Physical Specifications

Items	Parts Number	Specifications	Remarks
Diameter (ø d)	SLC-P1 **125**303G	ø 0.125 mm	-
	SLC-P1 **12F**303G	ø 0.1255 mm	-
	SLC-P1 **126**303G	ø 0.126 mm	-

3.3 General Tolerances

Permissible deviation in dimensions without tolerance indication is in accordance with ISO 2768-m (JIS B 0405-m), as shown in Table 3.

Table 3 General Tolerance (ISO 2768-m)

Basic size step [mm]		Permissible deviation [mm]
Over	Under	
0.5	3	±0.1
3	6	±0.1
6	30	±0.2
30	120	±0.3

3.4 Appearance

There should be no burr, peeling of plating or scratches that affect the product.

4 PACKING

The product is packed to prevent damage during shipment.

5 IDENTIFICATION

Identification label should indicate the part number and the lot number of the product(s) and should be permanently attached to the packing bag.

6 HANDLING AND CARE

6.1 Conditions of Storage

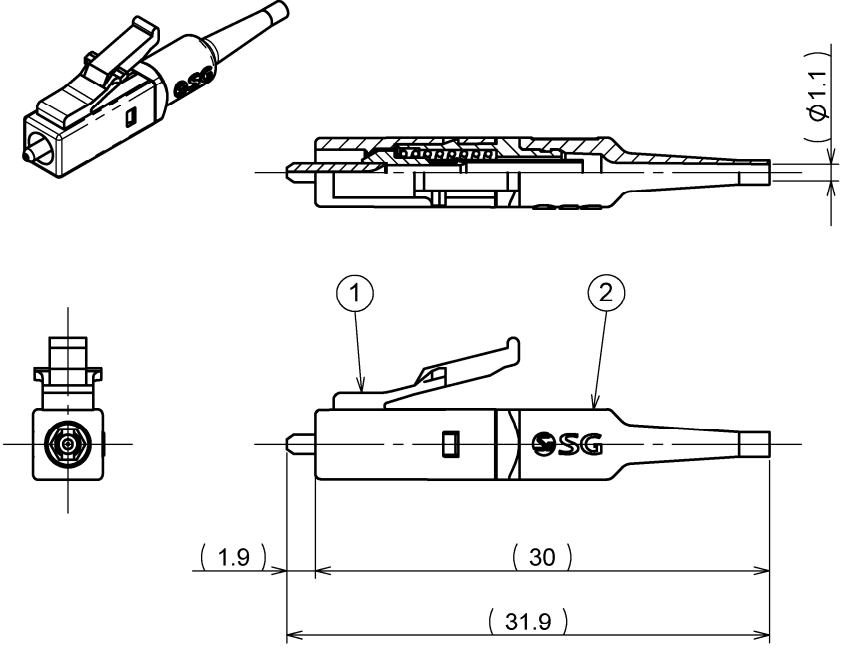
For storage of the product, keep in the packing bag and keep away from corrosive gas, high-temperature and humidity, extreme-low temperature and direct sunlight.

6.2 Precautions for Use

Contamination, oil, sweat and others debris on the ferrule end face may influence the performance of the product. If contamination is on the ferrule end face, wipe the end face with the end face cleaner.

6.3 Disposal

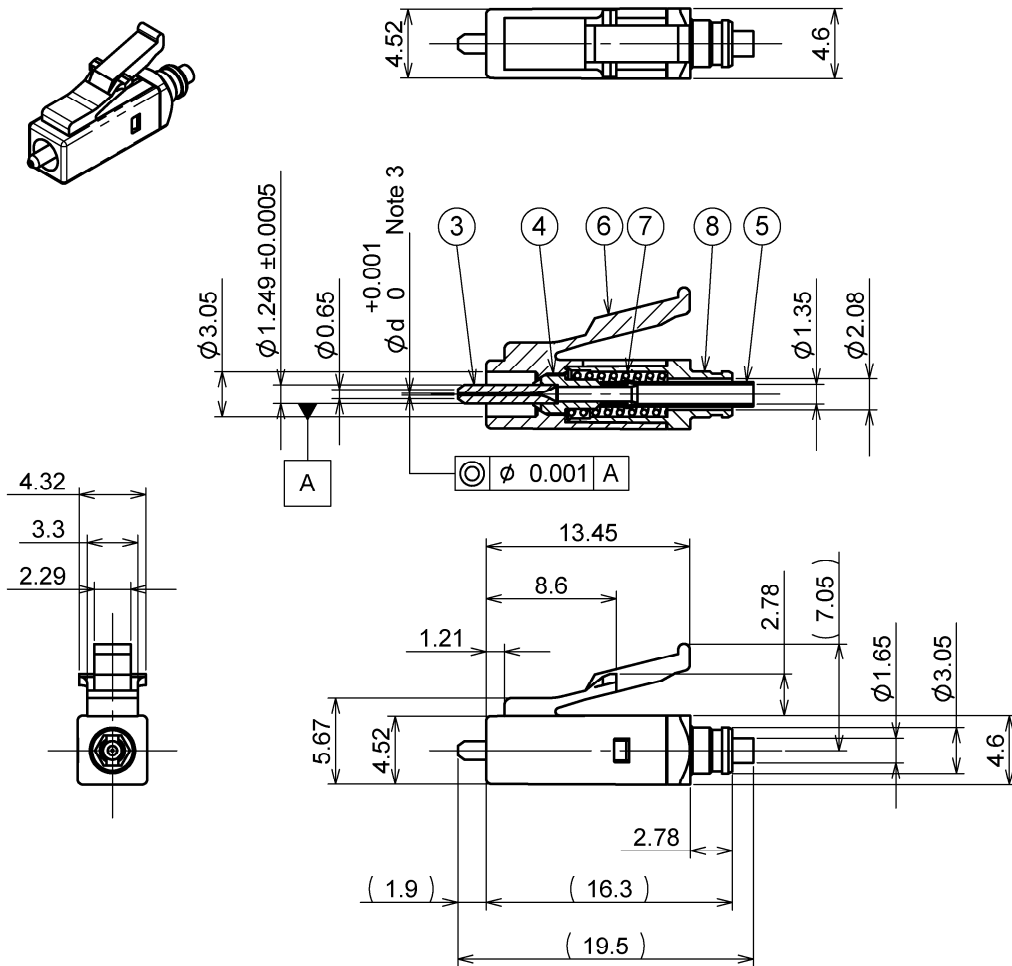
When discarding this product, please follow the regulations of your own country.



- Notes: 1 This drawing shows the tentatively assembled condition.
On practical shipment of SLC-P1 connector plug, this tentative assembly is not available.
- 2 This drawing does not include the cap.

Unit: mm

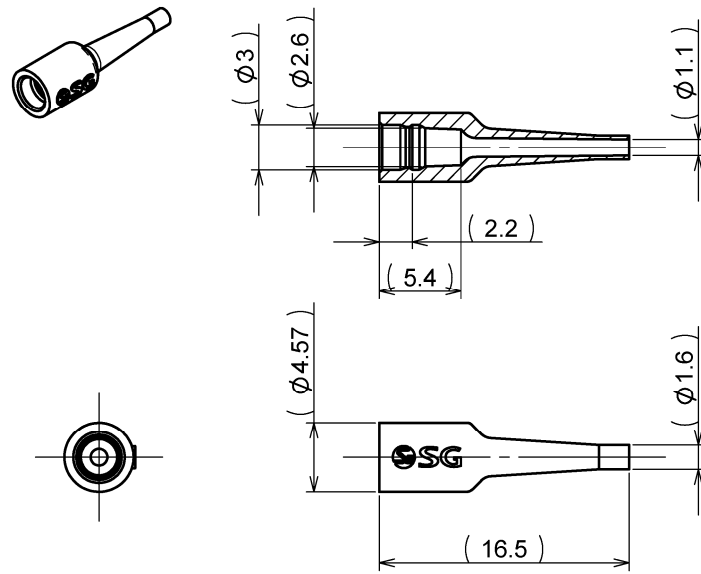
Figure 1 SLC-P1 Series Connector Plug



Note: 3 Diameter (ϕd) differs according to the parts number shown in Table 4

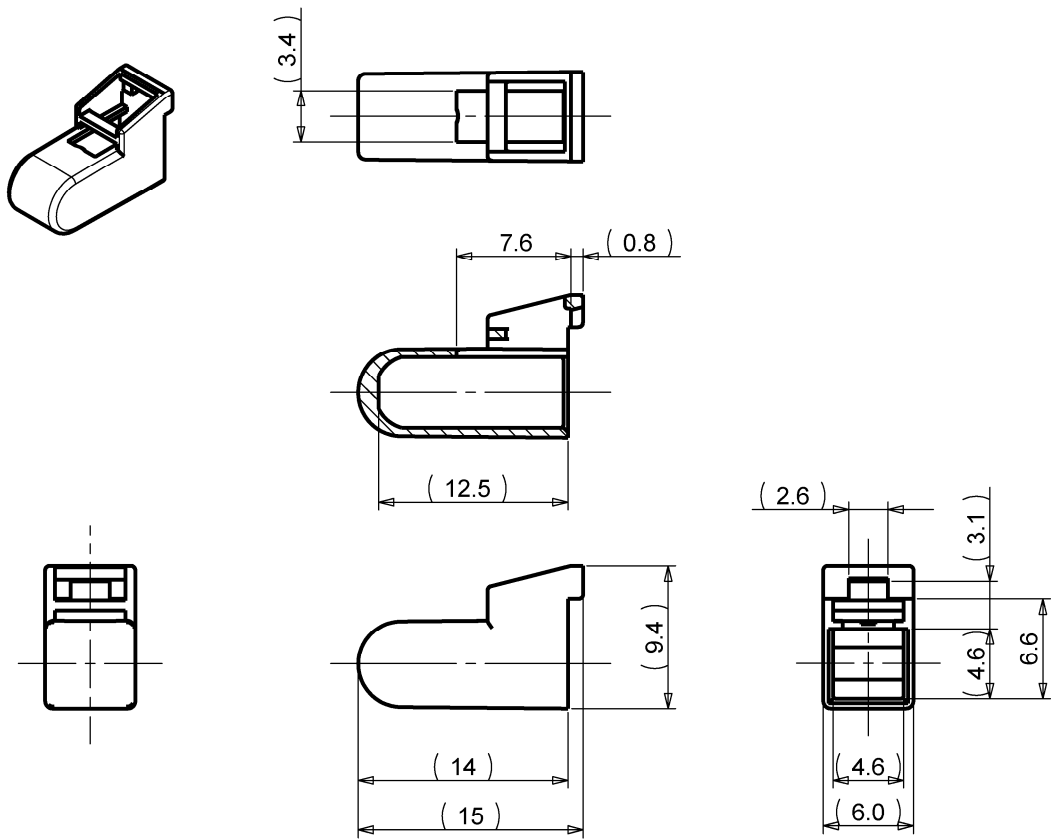
Unit: mm

Figure 2 ①Main Body



Unit: mm

Figure 3 ②Boot



Unit: mm

Figure 4 ⑨Cap (Dust Cap)